

- [54] TOTE BOX LID
- [75] Inventor: Thomas H. White, Issaquah, Wash.
- [73] Assignee: Rubbermaid Industrial Products Corporation, Statesville, N.C.
- [**] Term: 14 Years
- [21] Appl. No.: 693,223
- [22] Filed: June 4, 1976
- [51] Int. Cl. D9-07
- [52] U.S. Cl. D9/267
- [58] Field of Search 229/25; D9/219, 222-240, D9/254, 267; D7/16, 76, 40, 131

- D. 235,195 5/1975 Sauey, Jr. et al. D9/219
- D. 240,003 5/1976 Gairard D7/76 X

Primary Examiner—Robert C. Spangler
Attorney, Agent, or Firm—E. R. Hamilton

[57] CLAIM

The ornamental design for a tote box lid, as shown and described.

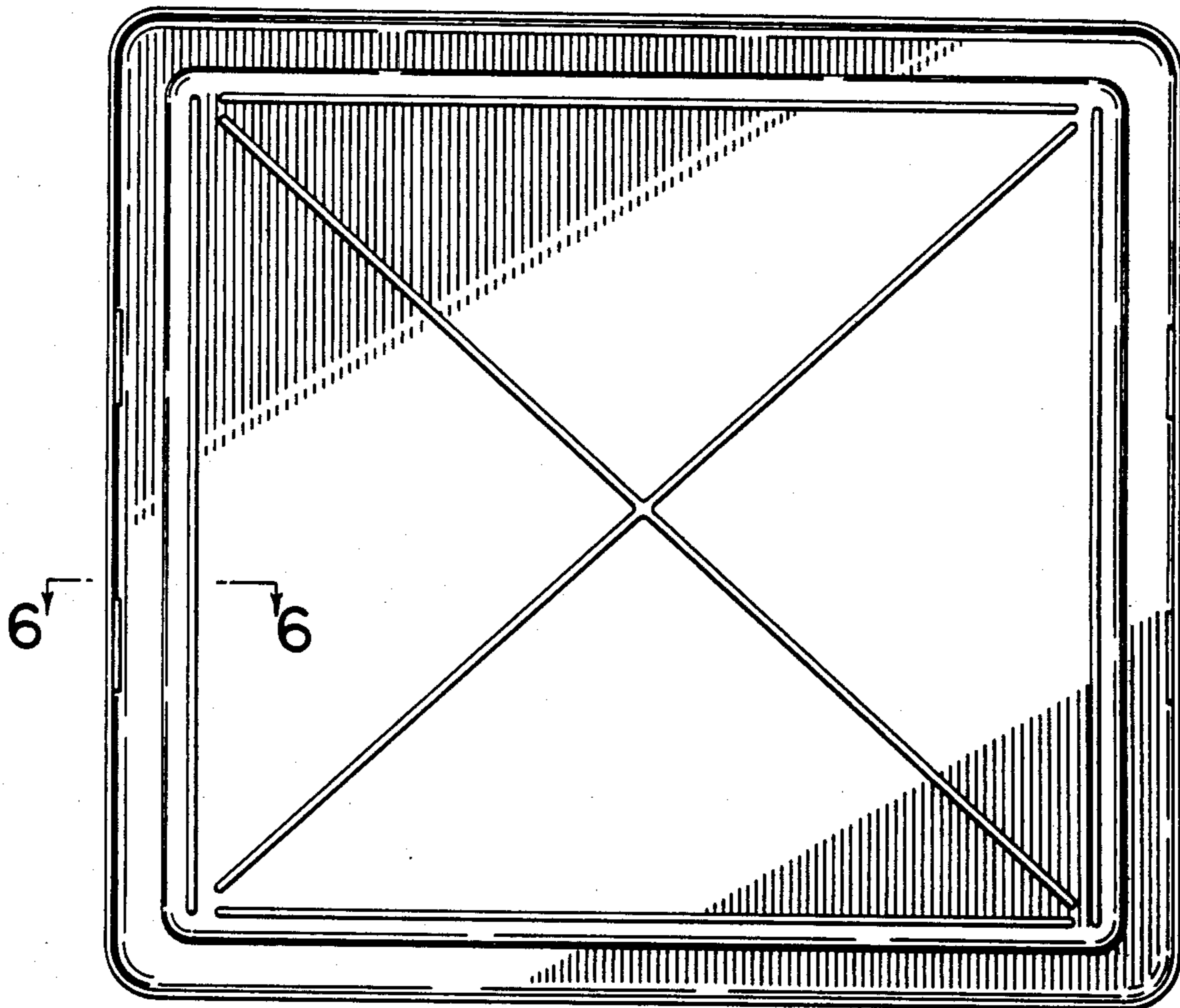
DESCRIPTION

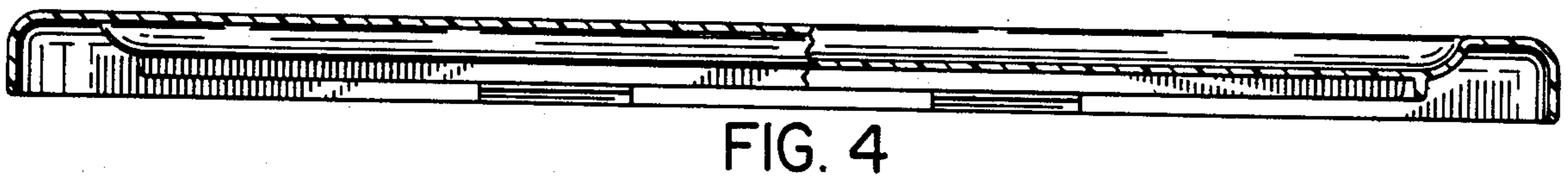
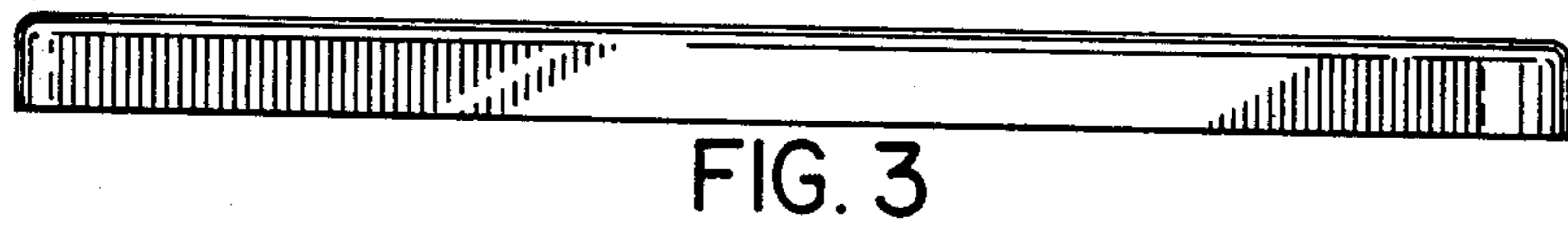
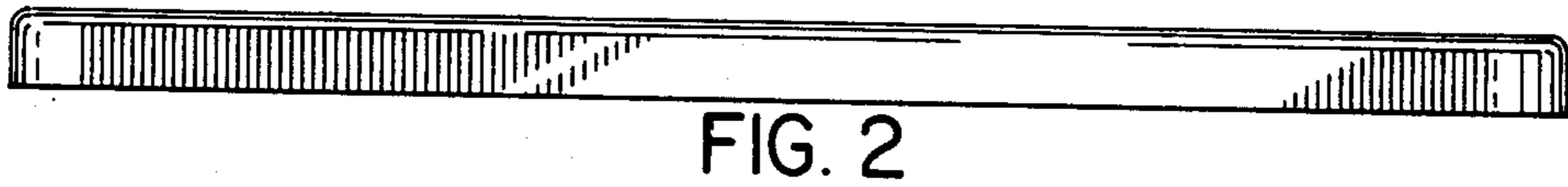
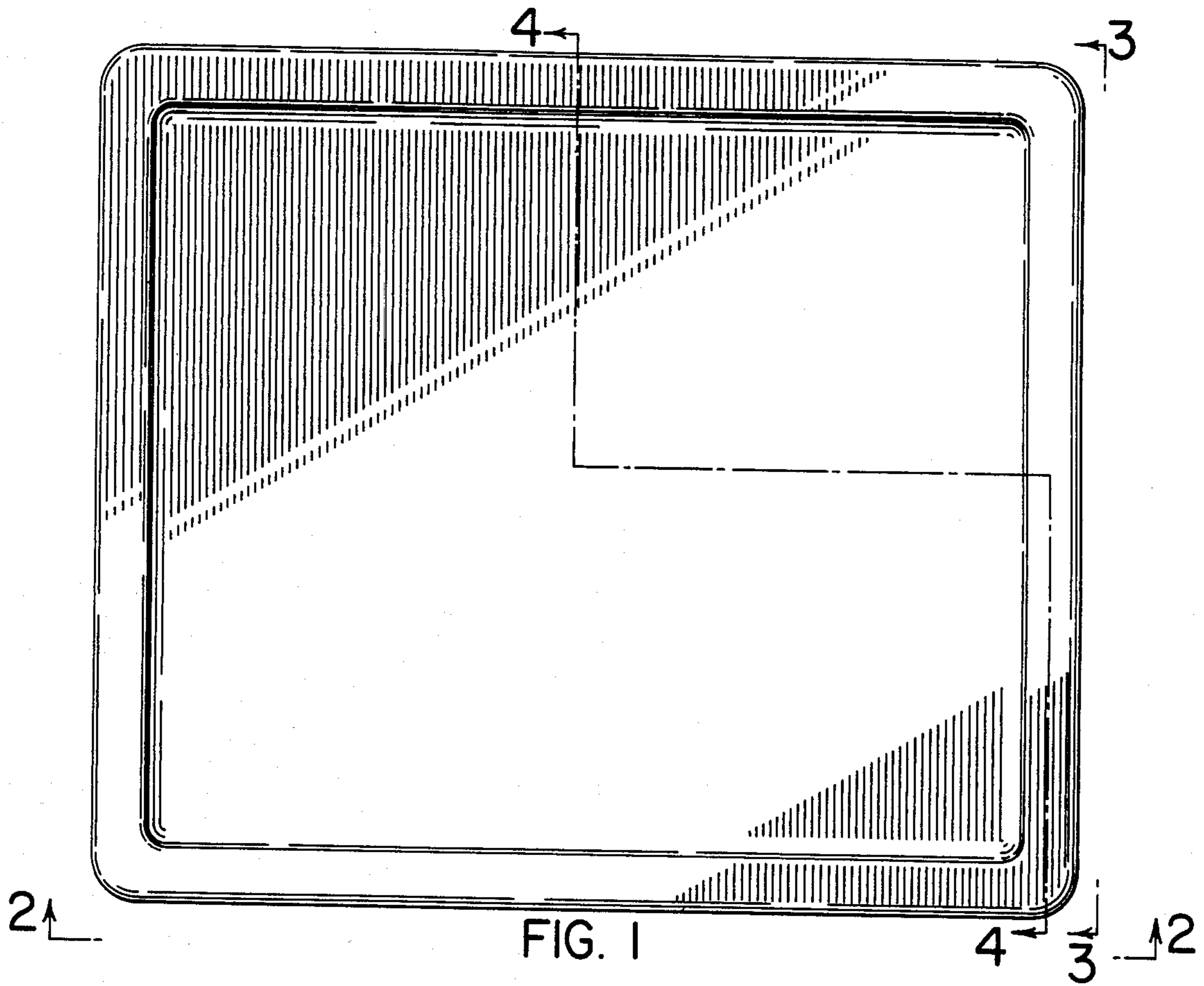
FIG. 1 is a top plan view of a tote box lid embodying my new design;
 FIG. 2 is an elevational view looking in the direction of the arrows 2—2 of FIG. 1;
 FIG. 3 is an elevational view looking in the direction of the arrows 3—3 of FIG. 1;
 FIG. 4 is a sectional view taken on the line 4—4 of FIG. 1;
 FIG. 5 is a bottom plan view; and
 FIG. 6 is a fragmentary sectional view taken on the line 6—6 of FIG. 5.

[56] References Cited

U.S. PATENT DOCUMENTS

- D. 82,247 10/1930 Campbell D9/267
- D. 159,811 8/1950 Hill D7/76
- D. 215,413 9/1969 Donovan D9/219
- D. 216,953 3/1970 Schuff D9/267





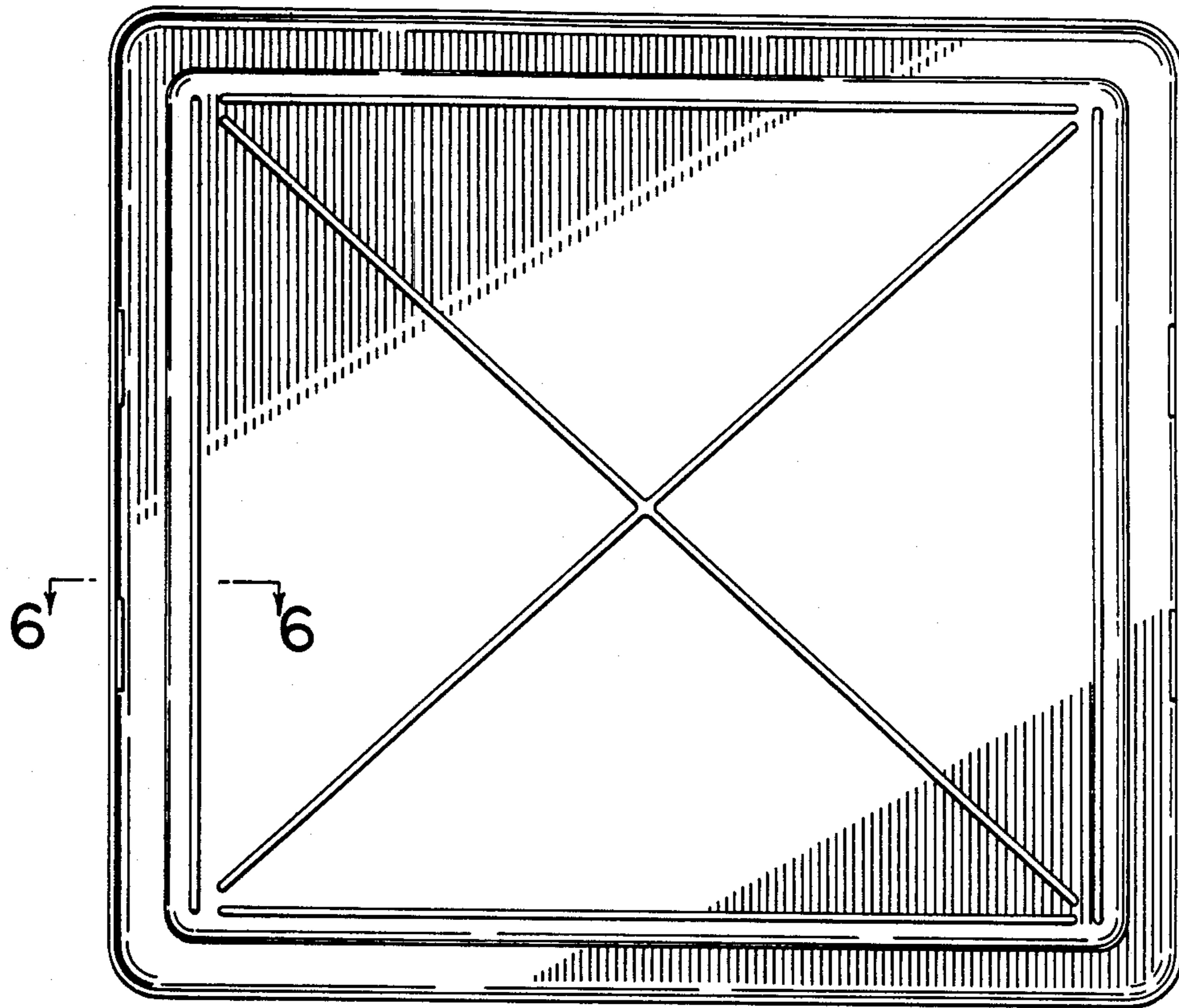


FIG. 5



FIG. 6