

[54] **PORTABLE DENT REMOVER**

[75] **Inventors:** Karl A. Hansen; I. Glen Hendrickson,
both of Seattle, Wash.

[73] **Assignee:** The Boeing Company, Seattle, Wash.

[**] **Term:** 14 Years

[21] **Appl. No.:** 726,871

[22] **Filed:** Sept. 27, 1976

[51] **Int. Cl.** D8—05

[52] **U.S. Cl.** D8/67

[58] **Field of Search** D8/61, 67, 69; 72/56

[56] **References Cited**

U.S. PATENT DOCUMENTS

3,325,075 6/1967 Higuchi 72/56 UX
3,673,833 7/1972 Cadwell 72/56

Primary Examiner—Alan P. Douglas

[57] **CLAIM**

The ornamental design for a portable dent remover, as shown and described.

DESCRIPTION

FIG. 1 is a perspective view of the new design for a portable dent remover.

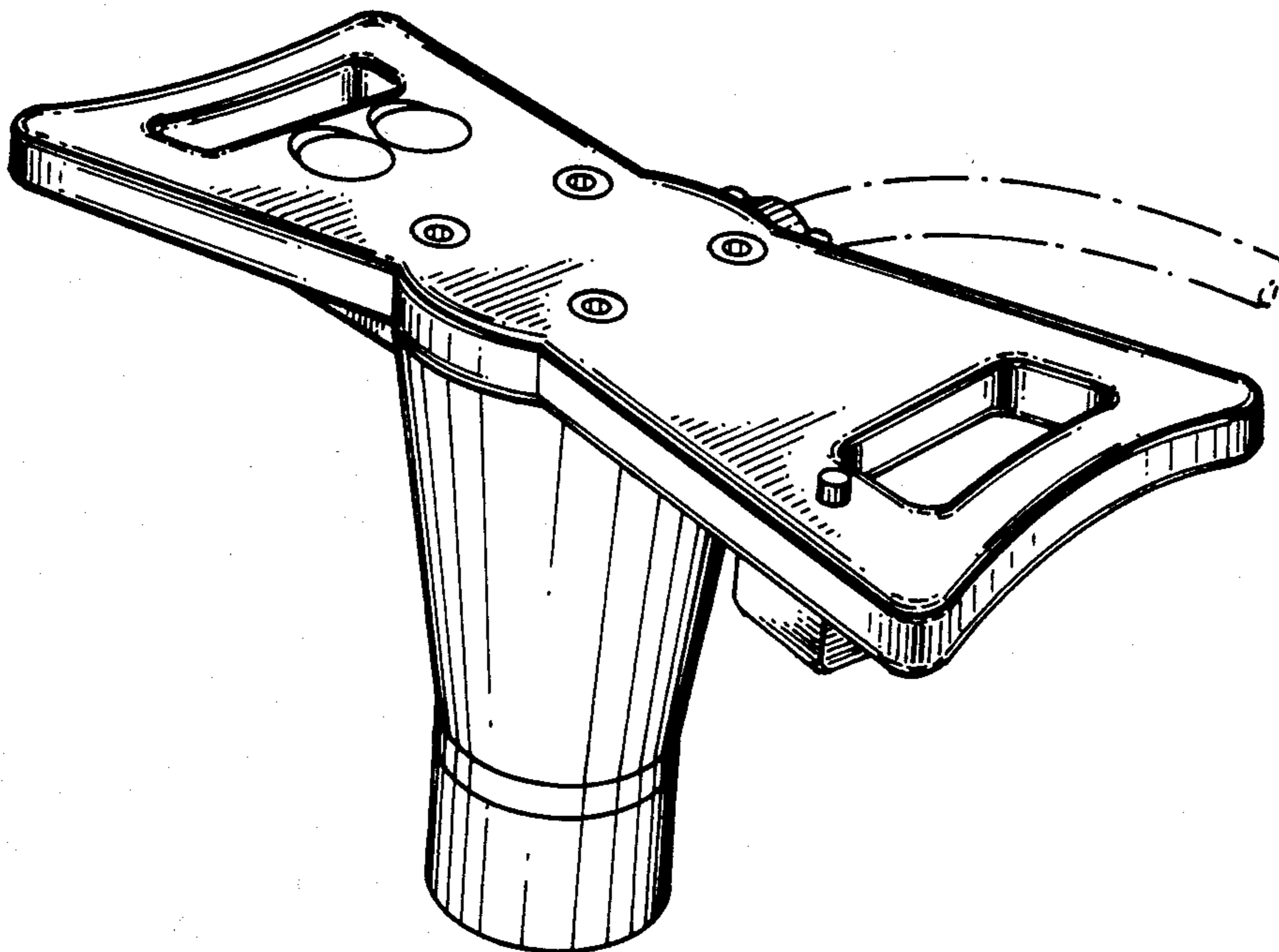
FIG. 2 is a plan view of the new design.

FIG. 3 is a bottom view of the new design.

FIG. 4 is a left side view of the new design.

FIG. 5 is a right side view of the new design.

FIG. 6 is a front view of the new design.



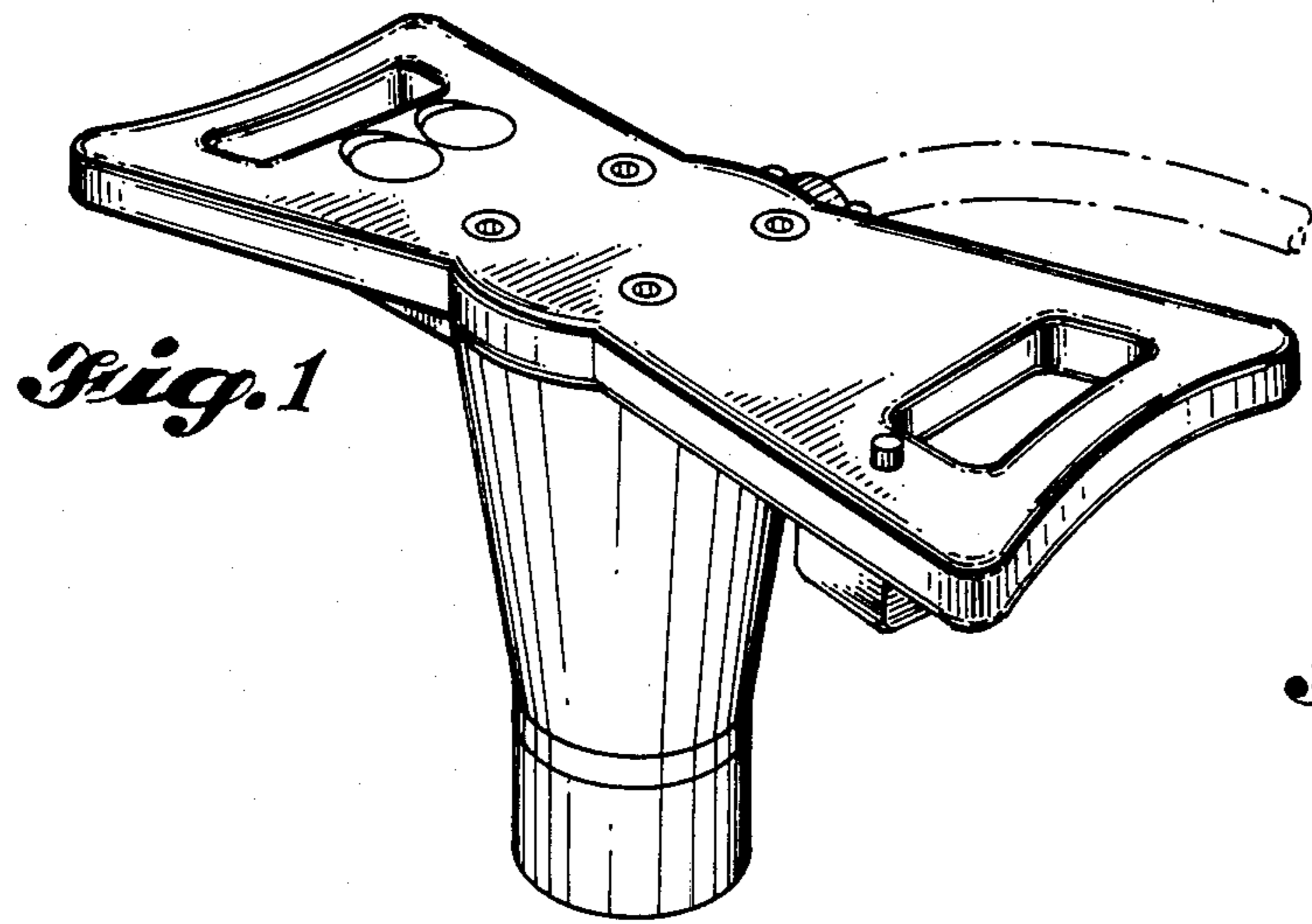


Fig. 1

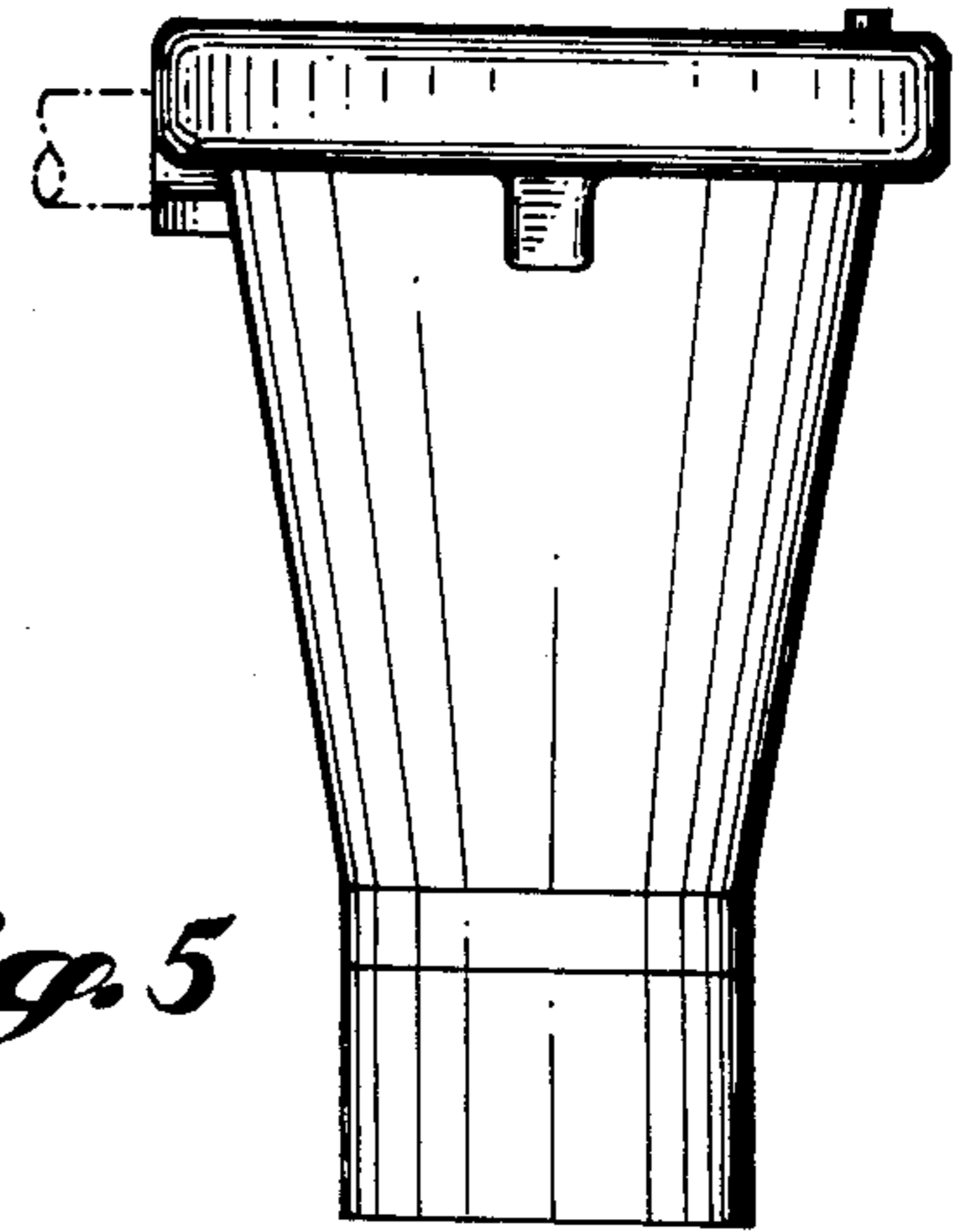


Fig. 5

Fig. 2

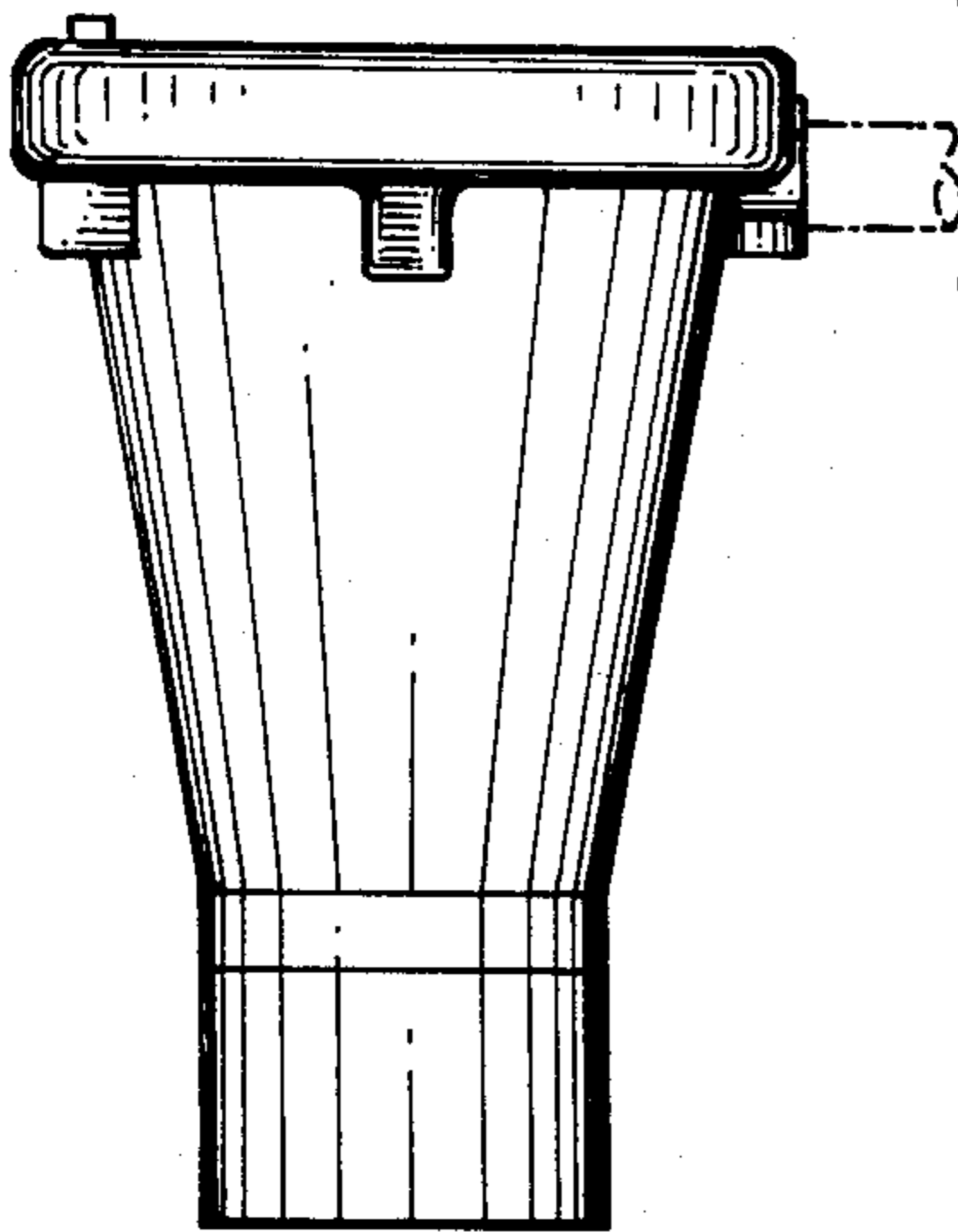
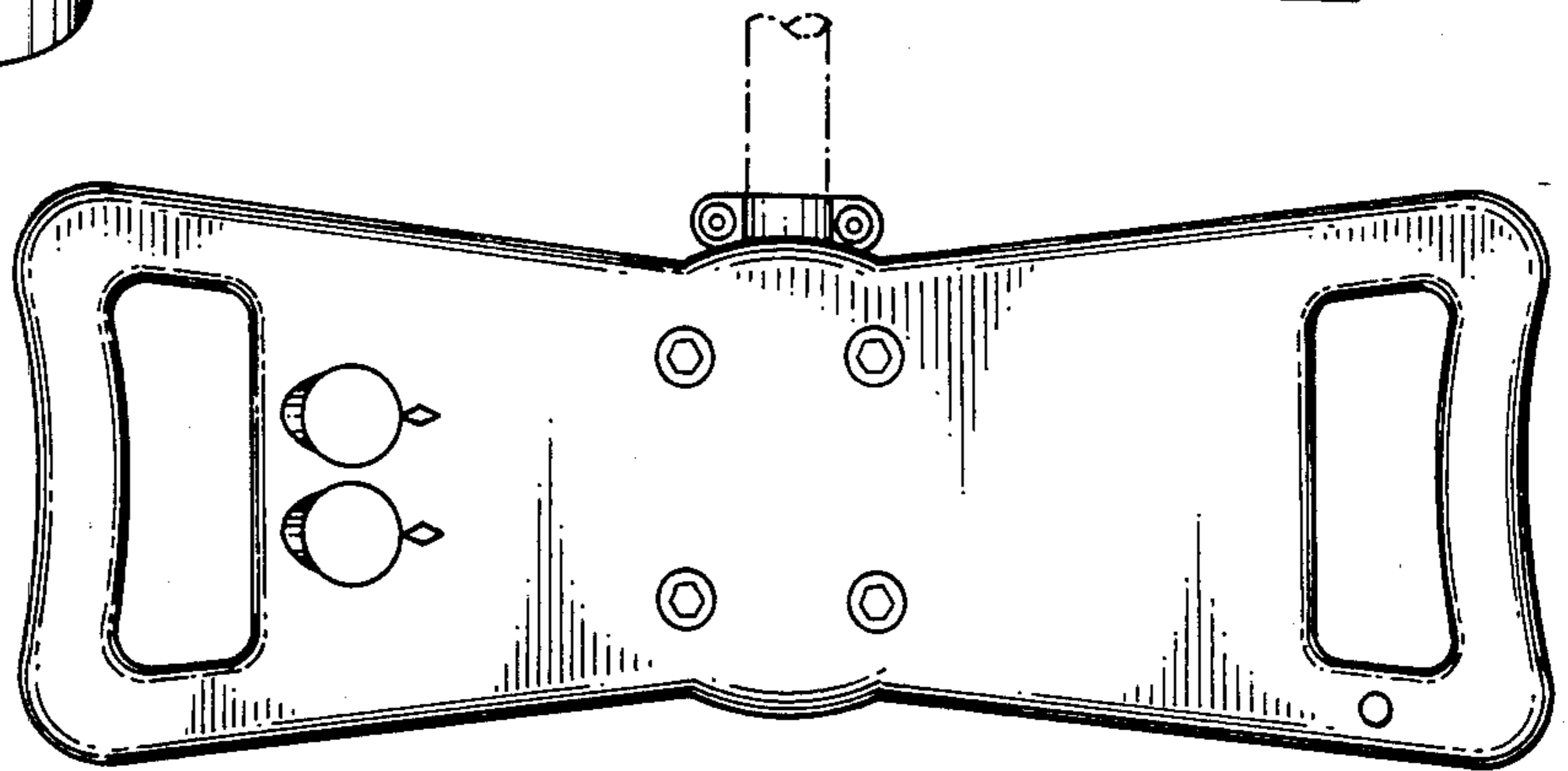


Fig. 4

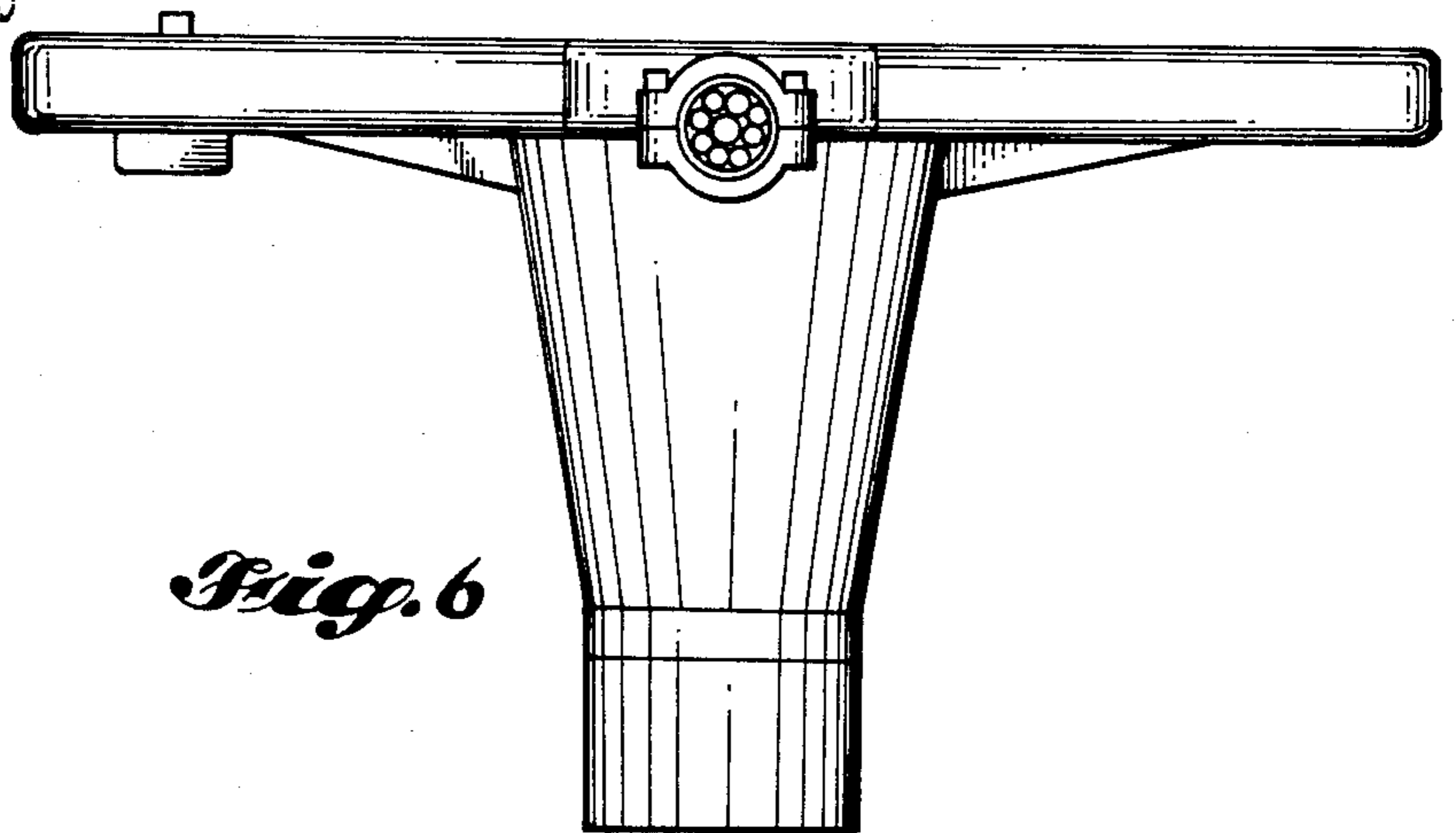


Fig. 6

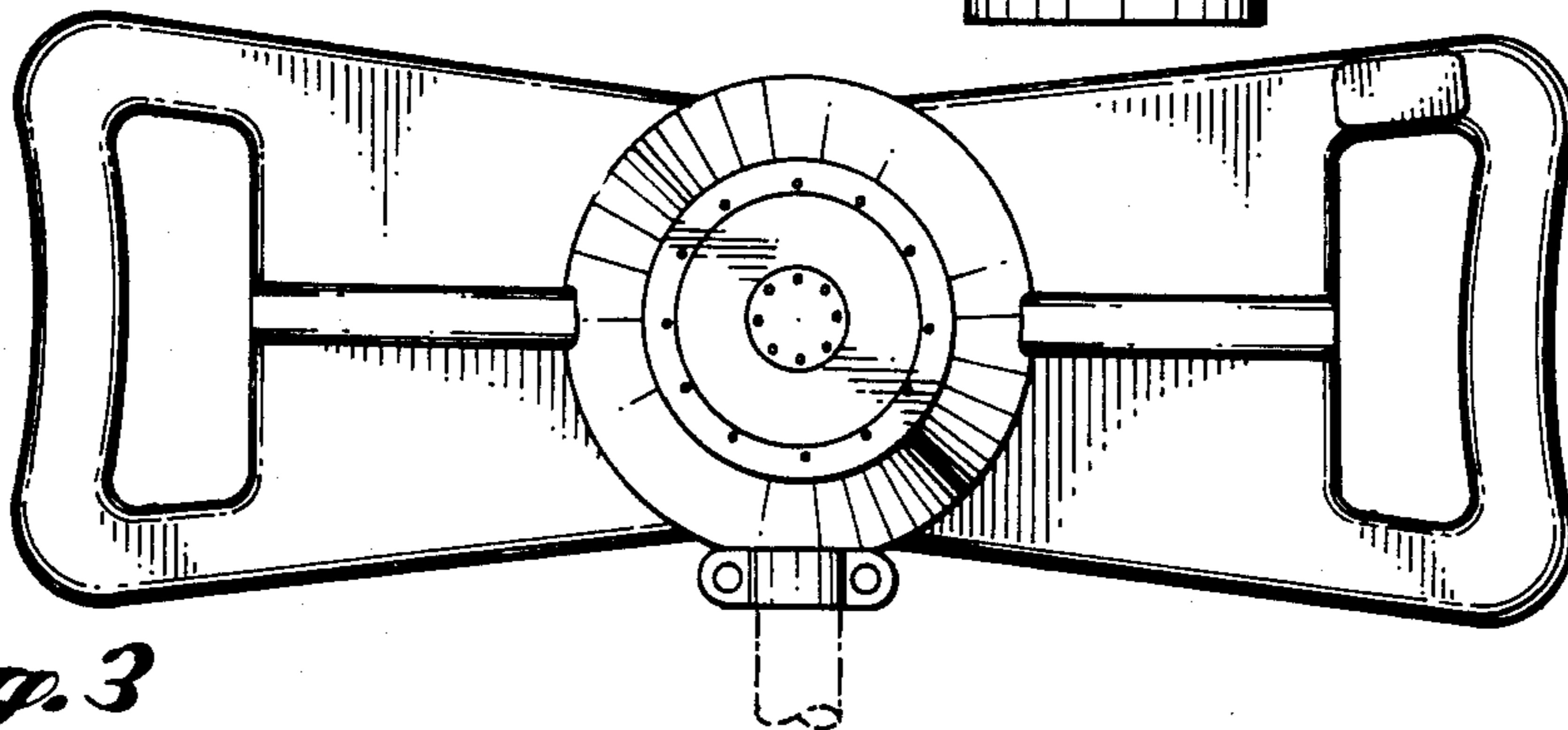


Fig. 3