

[54] COMBINED TRASH CONTAINER AND TRASH BAG HOLDER

[76] Inventor: William Stoufer, 521 Alvarado Way, Davis, Calif. 95616

[**] Term: 14 Years

[21] Appl. No.: 653,365

[22] Filed: Jan. 29, 1976

[51] Int. Cl. D7-05

[52] U.S. Cl. D7/194

[58] Field of Search D7/188-195; 220/1 C, 1 T, 1 H, 17, 3.34; 232/43.2; 248/95-99, DIG. 7, 133, 153, 127, 129, 156; 211/41, 126, 86, 94, 94.5, 13, 49 R, 49 S

[56] References Cited

U.S. PATENT DOCUMENTS

3,115,986	12/1963	Groff	D7/195 UX
3,321,130	5/1967	Cleghorn	232/43.2
3,443,745	5/1969	Kleeberg	D7/194 UX

Primary Examiner—Wallace R. Burke
Assistant Examiner—Catherine Kemper
Attorney, Agent, or Firm—Mark C. Jacobs

[57] CLAIM

The ornamental design for an combined trash container and trash bag holder, substantially as shown and described.

DESCRIPTION

FIG. 1 is an exploded perspective view of a combined trash container and trash bag holder, showing my new design;

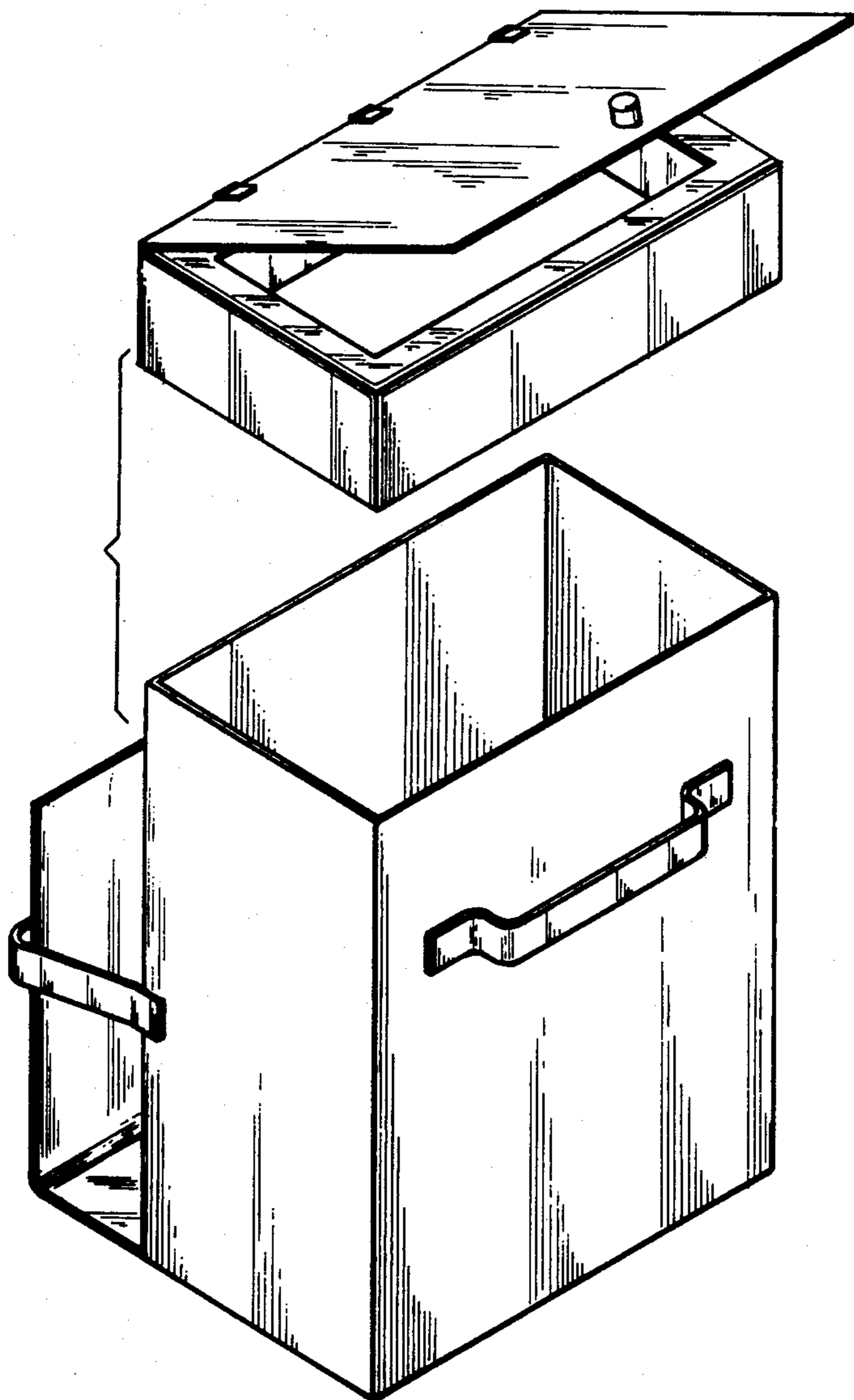
FIG. 2 is a side elevational view, the opposite side being a mirror image thereof;

FIG. 3 is a fragmentary side elevational view of a second embodiment wherein the only difference resides in the appearance of the bottom surface;

FIG. 4 is a rear elevational view of the first embodiment, shown with the lid closed;

FIG. 5 is a bottom plan view thereof;

FIG. 6 is a bottom plan view of the second embodiment.



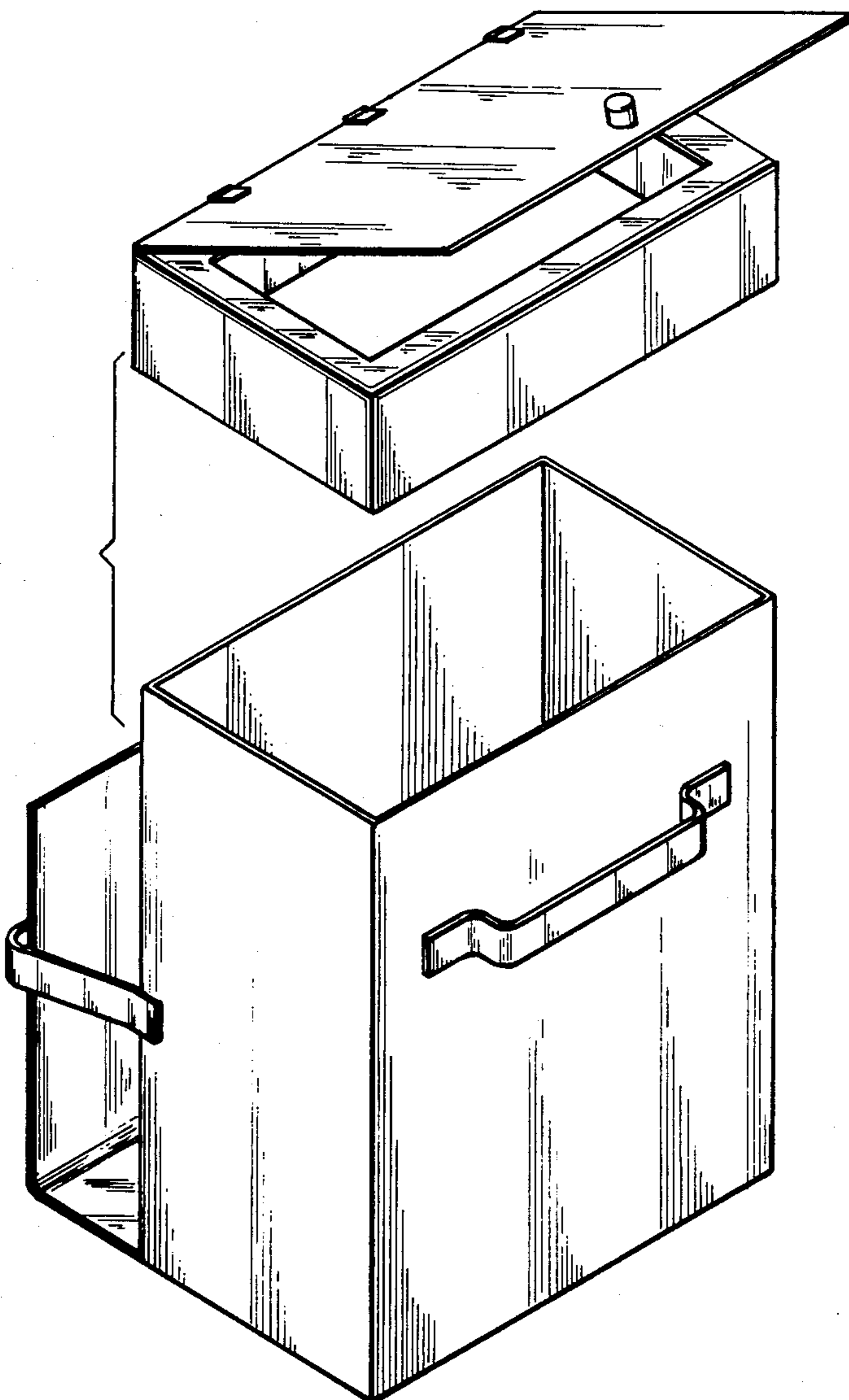


FIG 1

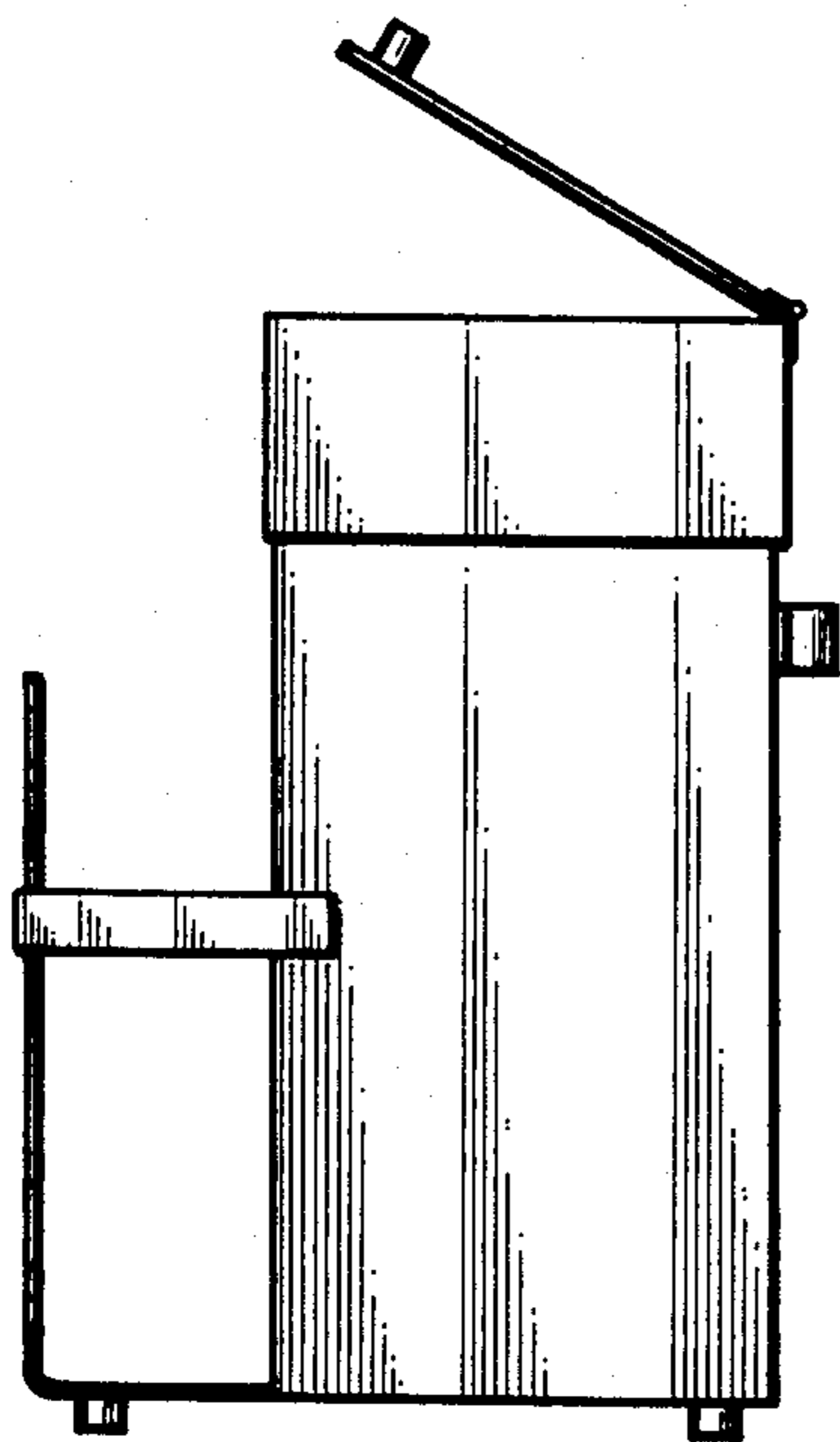


FIG 2

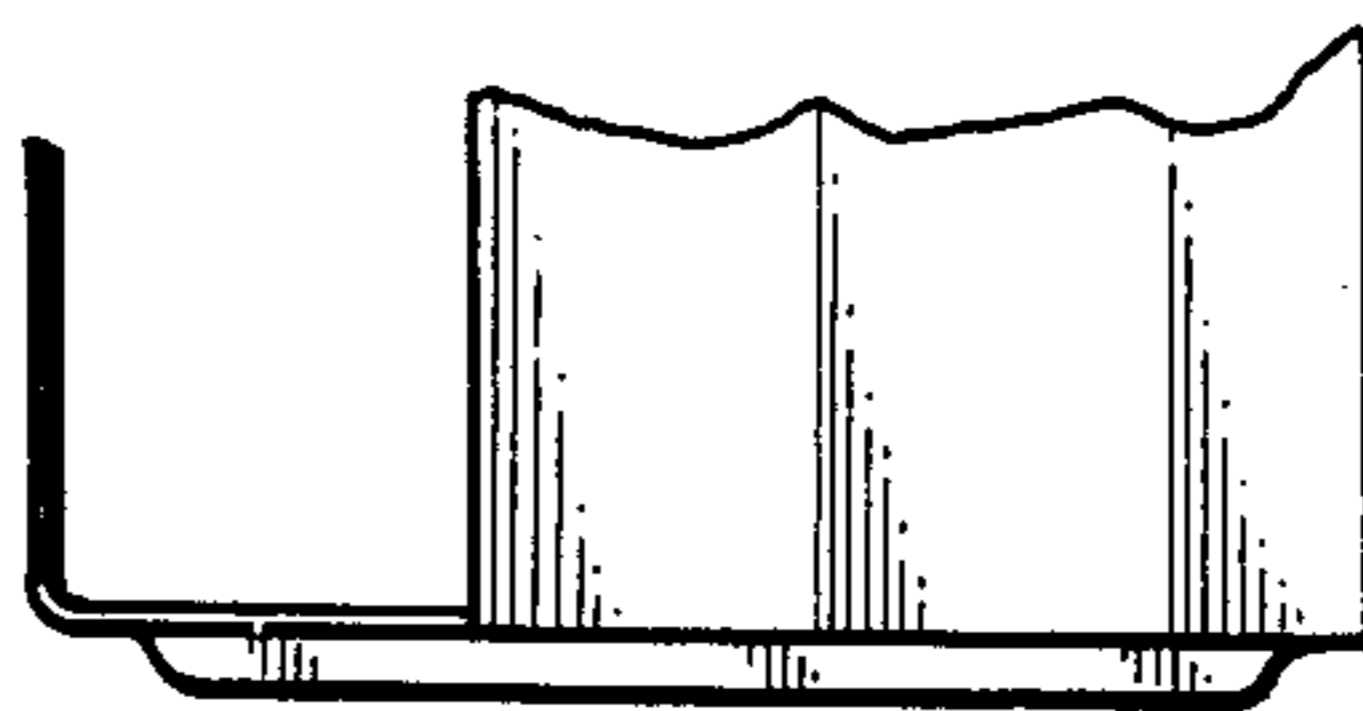


FIG 3

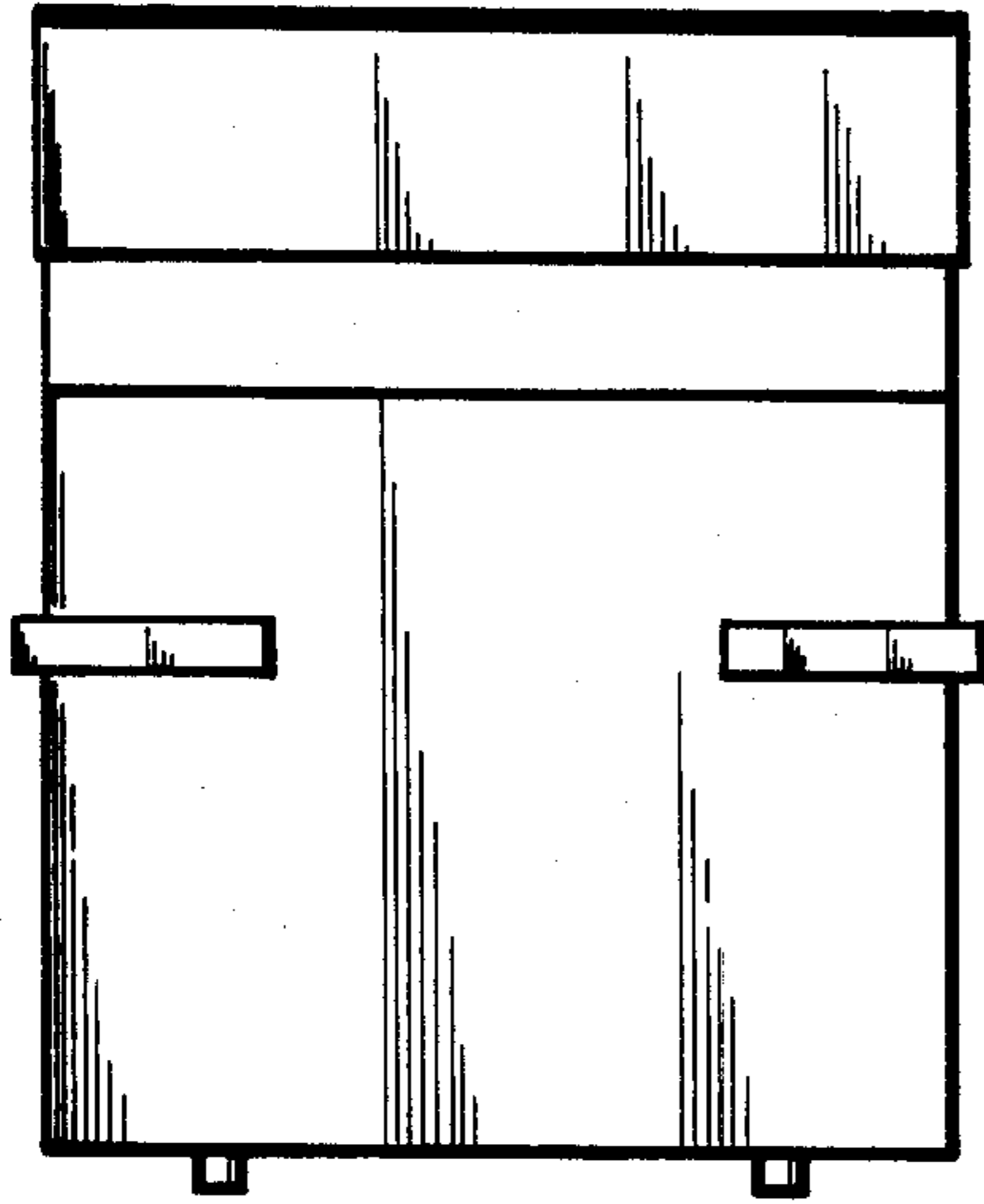


FIG 4

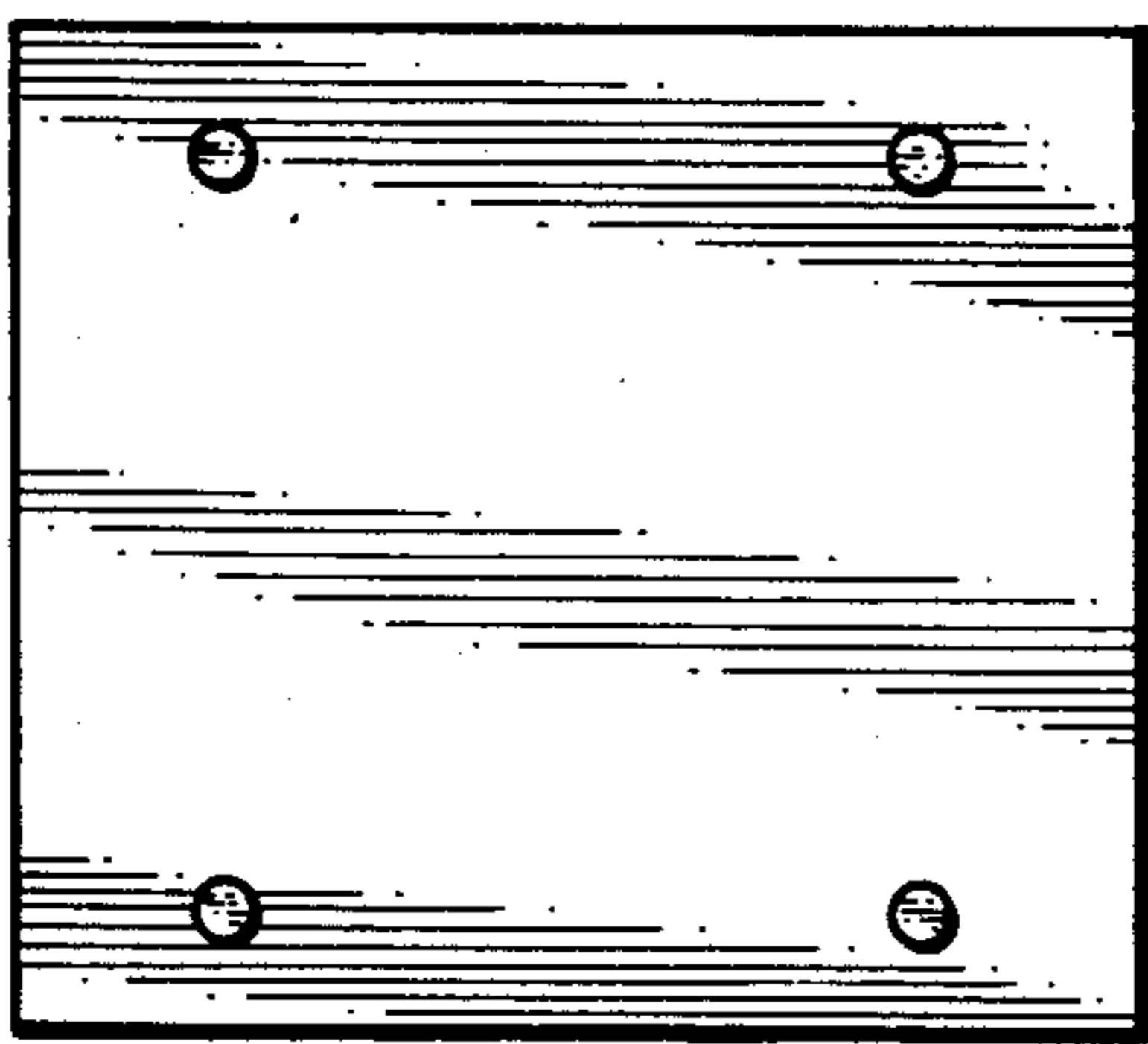


FIG 5

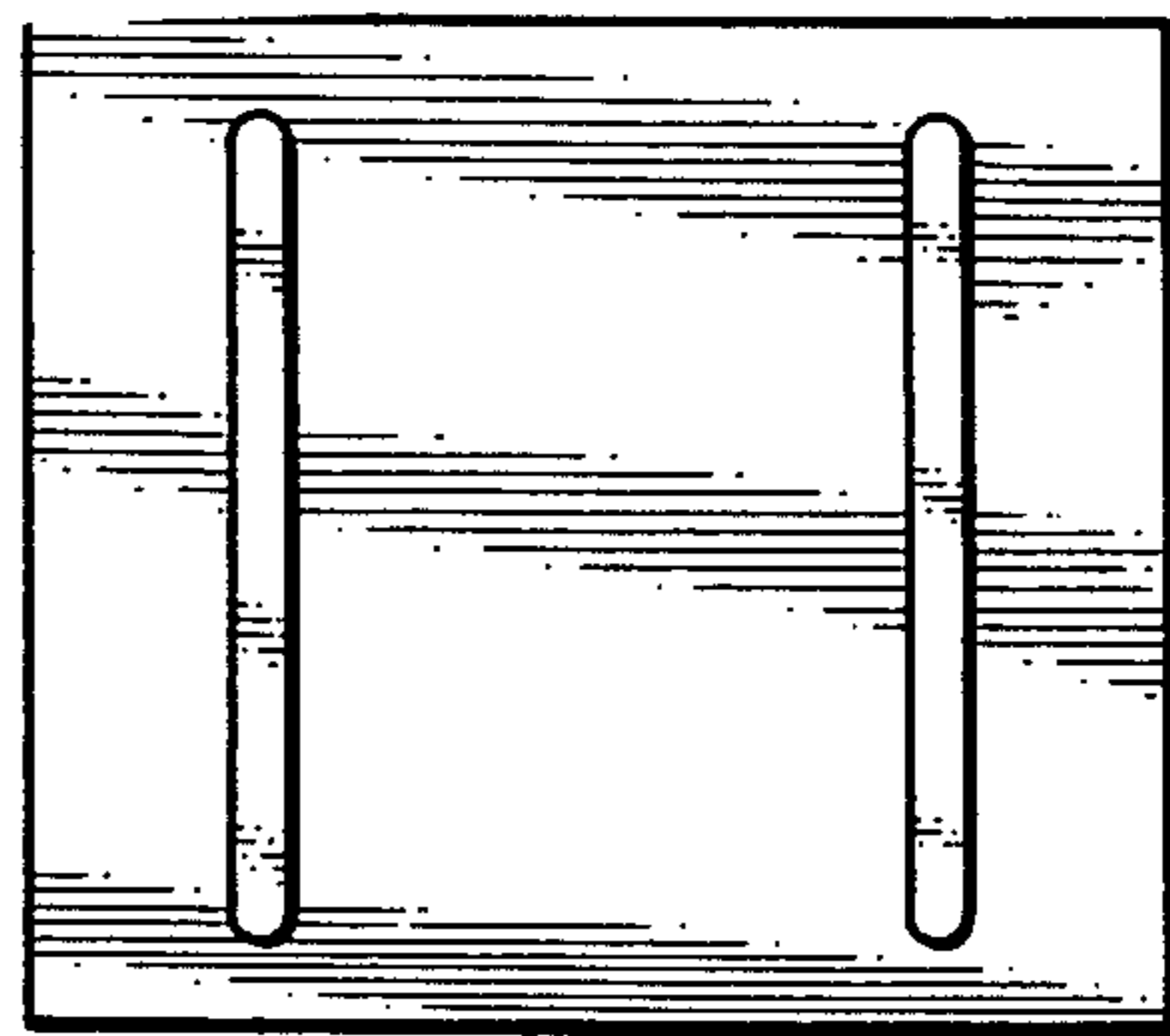


FIG 6