

[54] CONTOUR MAT

[76] Inventors: John Tam, 333 E. 53rd St., New York, N.Y. 10022; Leonard Horowitz, 51 W. 81st St., New York, N.Y. 10028

[**] Term: 14 Years

[21] Appl. No.: 450,473

[22] Filed: Mar. 12, 1974

[51] Int. Cl. D6-09; D6-01

[52] U.S. Cl. D6/201

[58] Field of Search D6/61, 85, 200-204, D6/1, 4, 5, 7, 37, 47, 59, 64, 345 R; D3/9.2; 5/355, 357, 345 R; 297/452

[56] References Cited

U.S. PATENT DOCUMENTS

112,175	2/1871	Van Horn	5/357
2,547,840	4/1951	Smith	5/357

OTHER PUBLICATIONS

Home Furnishings Daily, 3-11-68, front cover, top drawing, right portion of drawing, row of pillows 2nd from front.

Home Furnishings Daily, 3-18-74, front cover, top left corner, "Cubes & Pads".

Velcro® Brand Product News, 8-74, PN No. 5, N.Y., rear cover, top left corner item, "LI-LO" Mats illustration & accompanying description.

Primary Examiner—Joel Stearman

Assistant Examiner—J. Corrigan

Attorney, Agent, or Firm—Michael Ebert

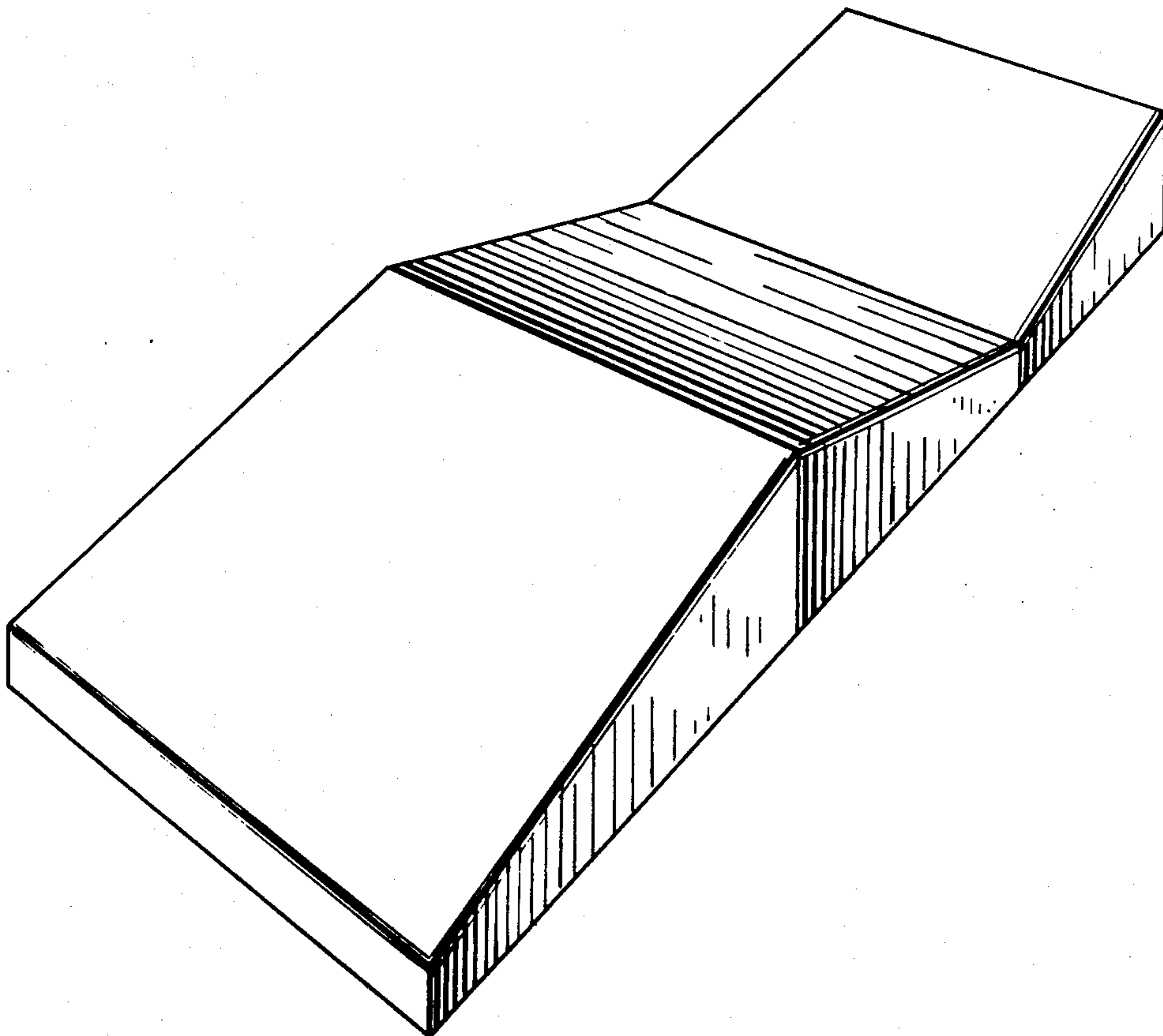
[57] CLAIM

The ornamental design for a contour mat, substantially as shown and described.

DESCRIPTION

FIG. 1 is a perspective view of a contour mat showing our new design;

FIG. 2 is a reduced scale perspective view from the opposite side.



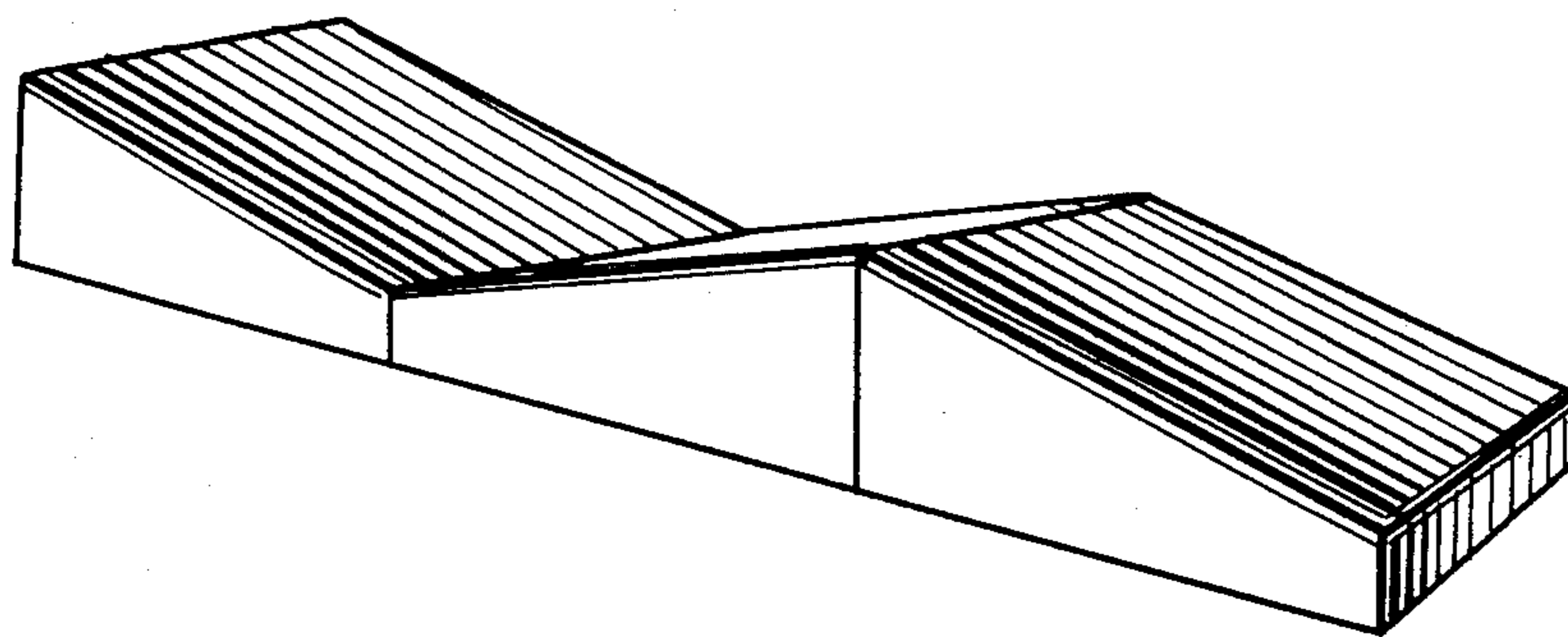
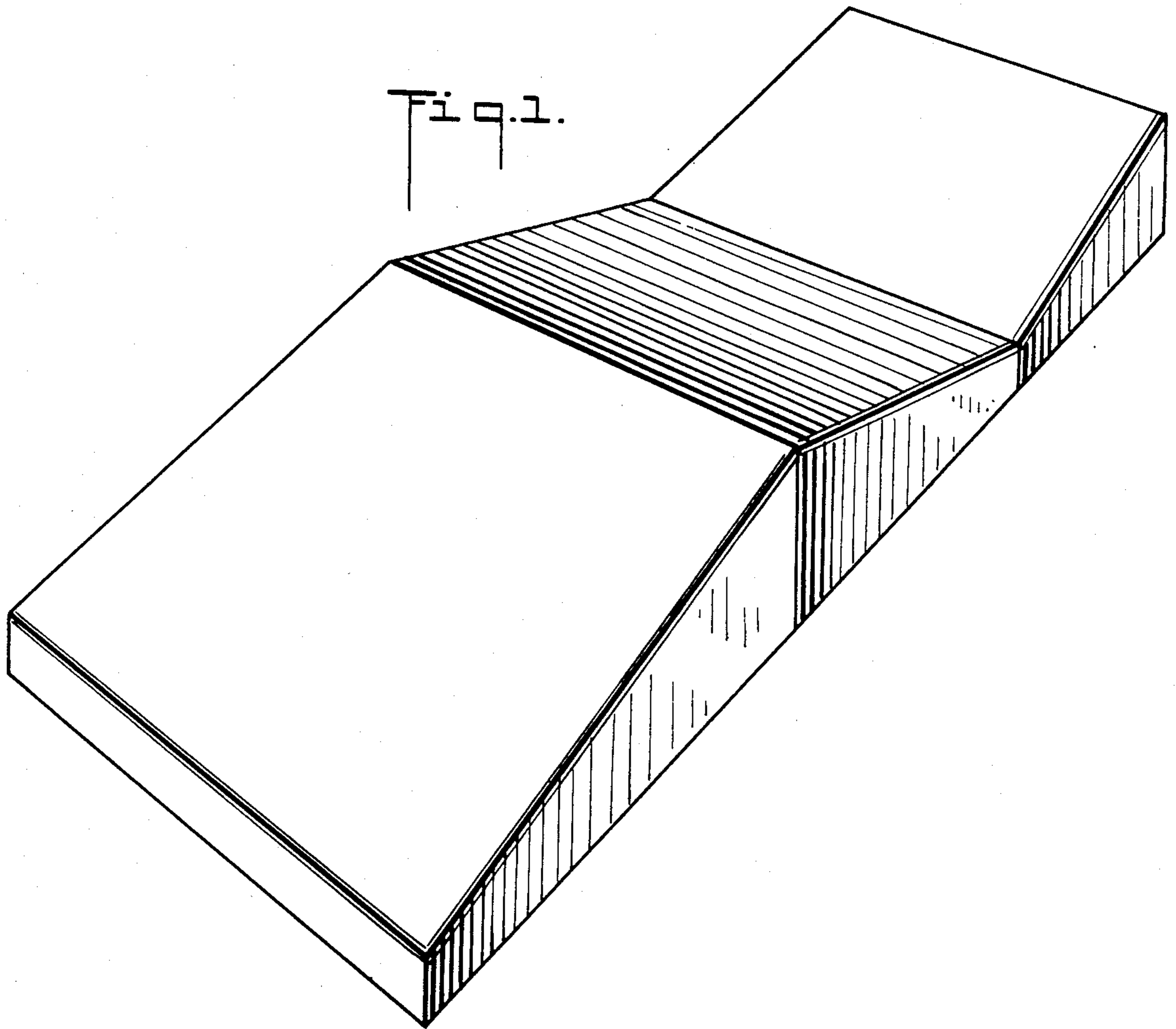


Fig. 2.