

[54] RADIATOR COOLING FAN

[75] Inventors: Stephen A. Laymon, Indianapolis; Cheng-Chien Chou, Carmel, both of Ind.

[73] Assignee: Wallace Murray Corporation, New York, N.Y.

[**] Term: 14 Years

[21] Appl. No.: 736,145

[22] Filed: Oct. 27, 1976

[51] Int. Cl. D23-04

[52] U.S. Cl. D23/165

[58] Field of Search D23/139-167; 416/241 A, 203, DIG. 3

[56]

References Cited

U.S. PATENT DOCUMENTS

D. 52,762	12/1918	Sewenson	D23/165
D. 186,889	12/1959	Atalla et al.	D23/165
D. 193,643	9/1962	Klonoski et al.	D23/165
1,983,606	12/1934	Geise	416/203
2,132,133	10/1938	Smith	D23/165 X
3,751,181	8/1973	Hayashi	416/241 A
3,773,435	11/1973	Wooden	416/132

Primary Examiner—James R. Largen
Attorney, Agent, or Firm—Thomas J. Greer, Jr.

[57]

CLAIM

The ornamental design for a radiator cooling fan, as shown.

DESCRIPTION

FIG. 1 is a front elevational view of a radiator cooling fan showing our new design;
FIG. 2 is a side elevational view thereof;
FIG. 3 is a rear elevational view thereof; and
FIG. 4 is a cross sectional view taken on line 4-4 of FIG. 3.

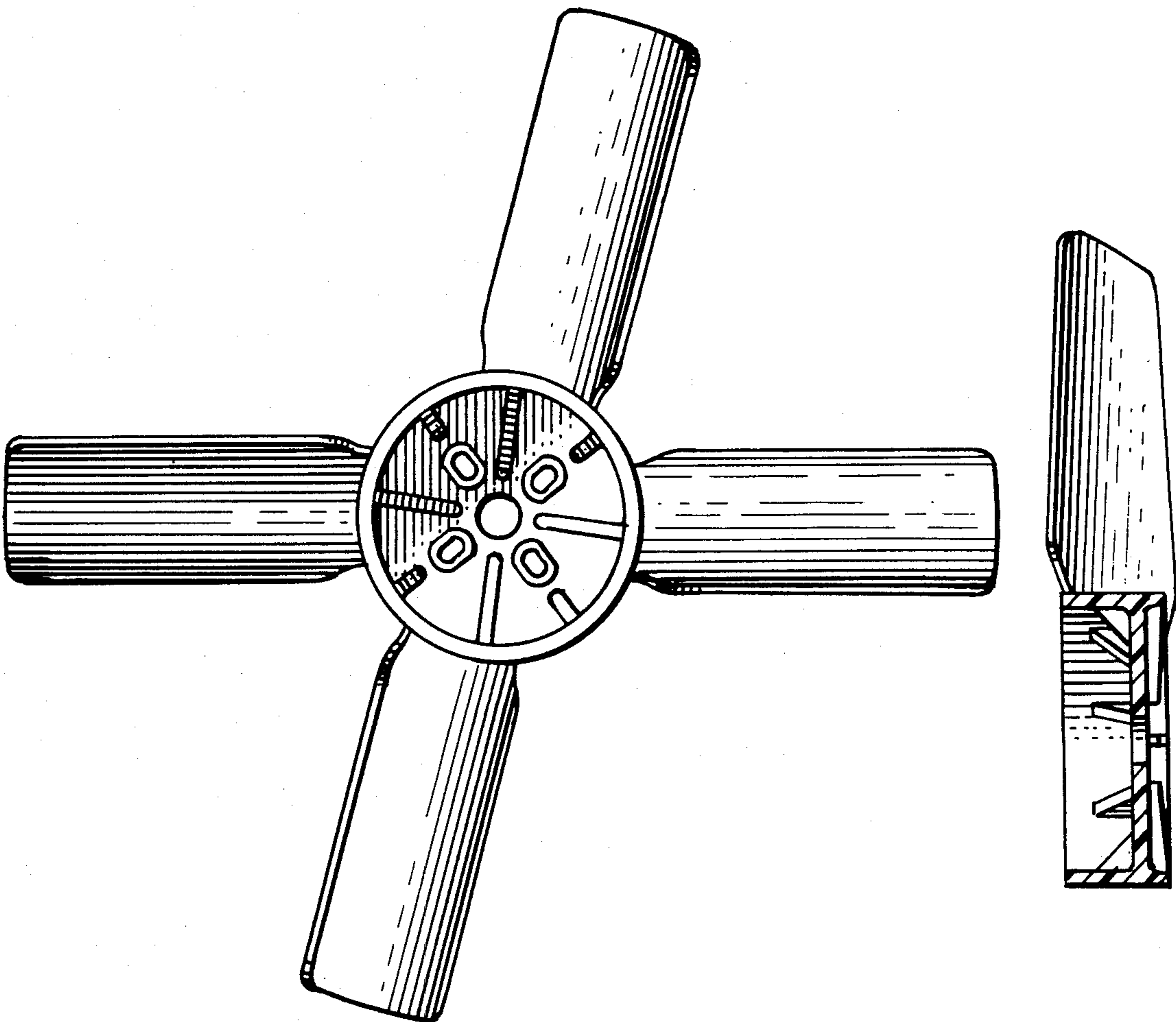


FIG. 1.

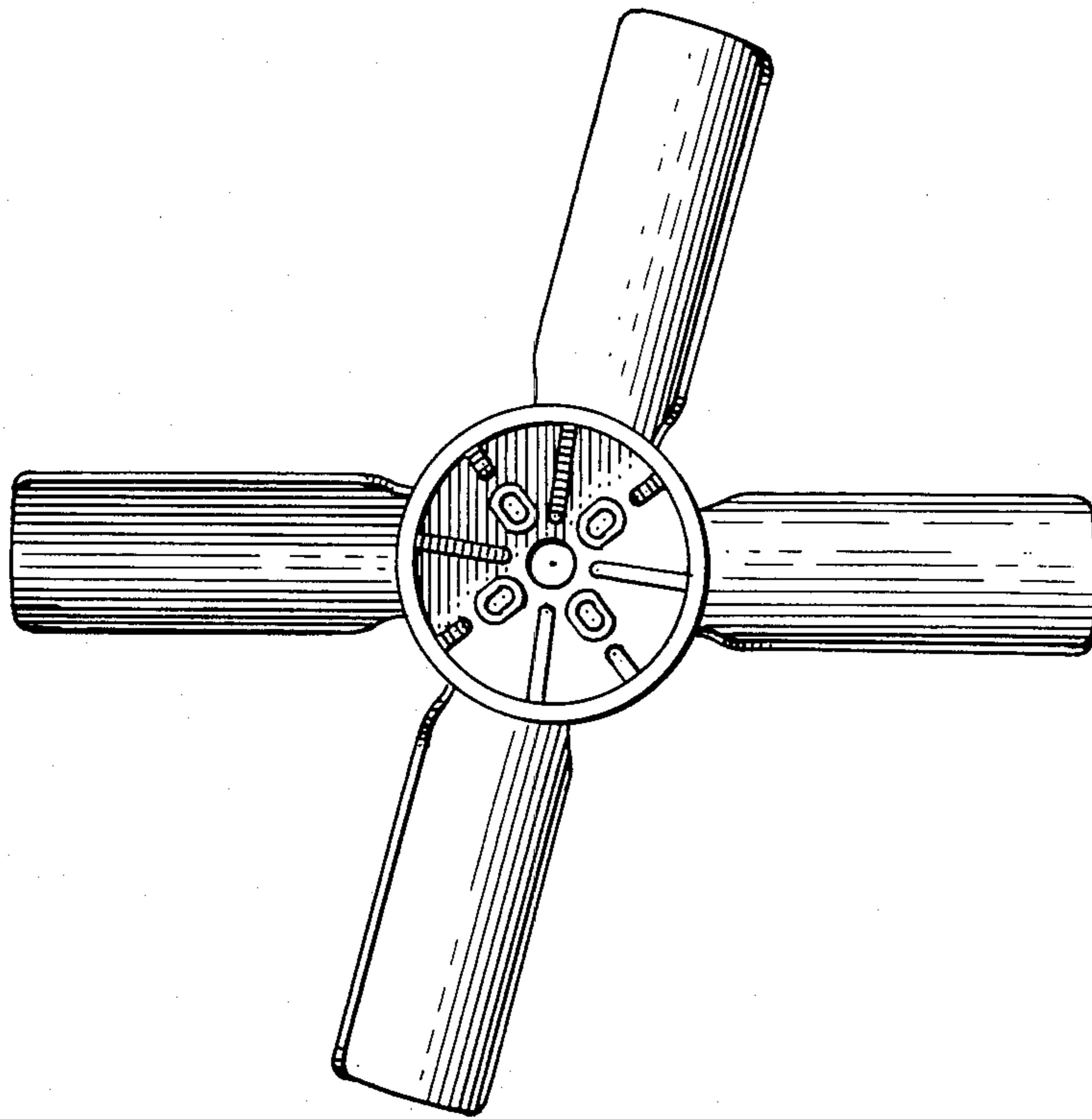


FIG. 2.

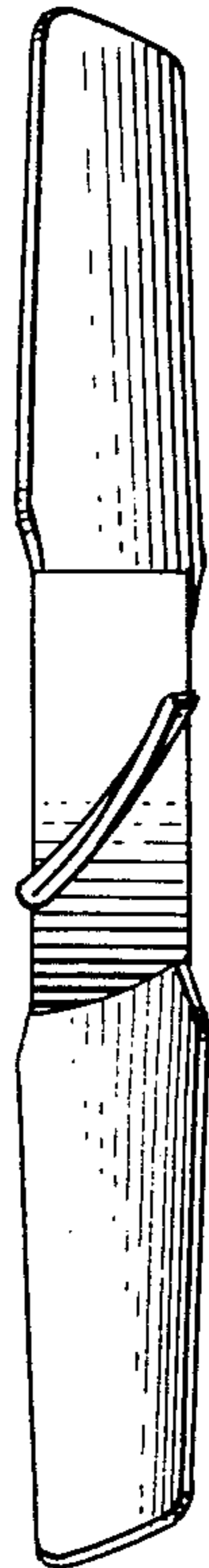


FIG. 3.

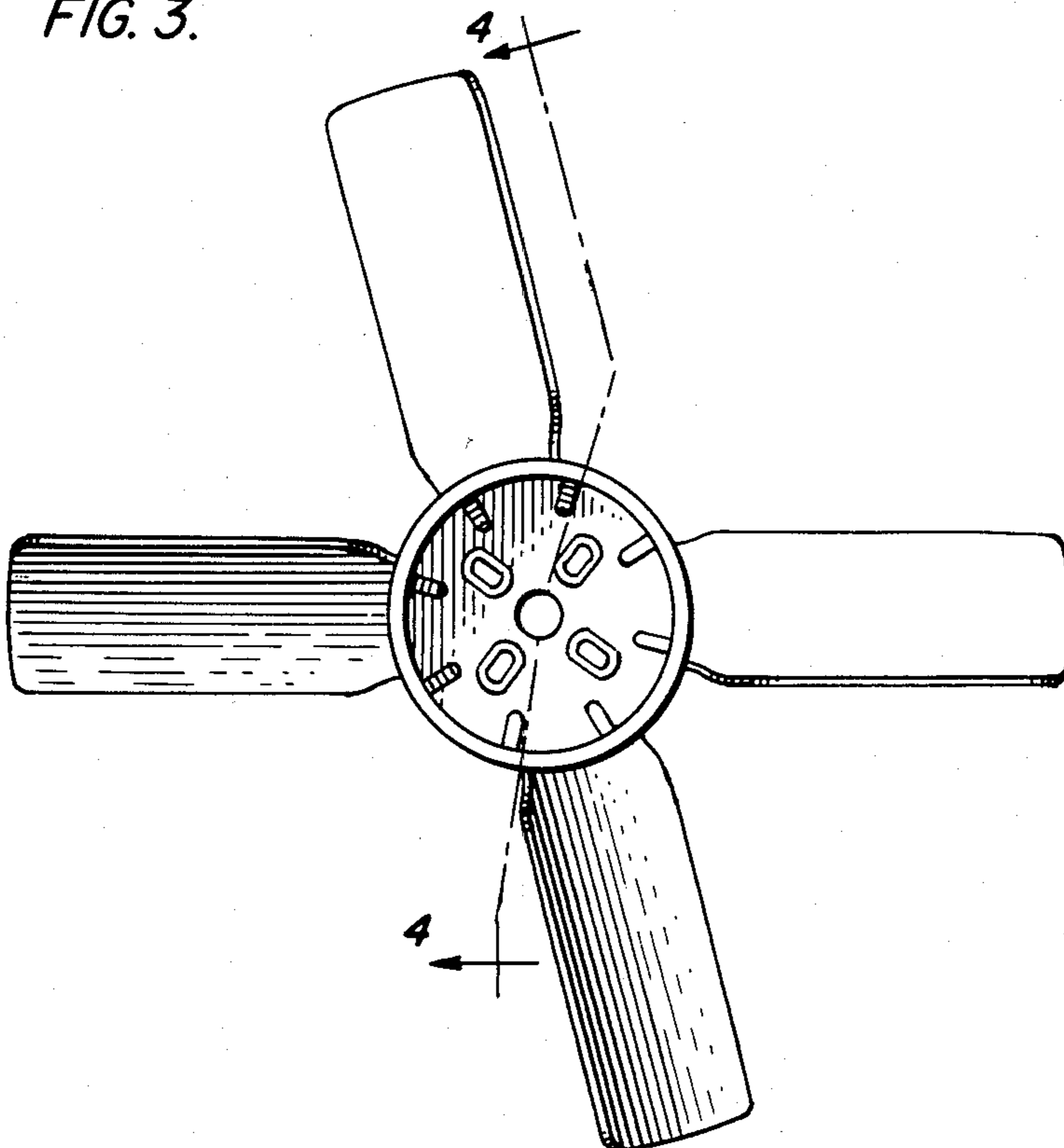


FIG. 4.

