

[54] AQUARIUM FILTER

[75] Inventors: Marvin A. Goldman, Great Neck; Jerome N. Goldman, New York; Silvio J. DiMarchi; Barbara A. Mesquida, both of Brooklyn, all of N.Y.

[73] Assignee: Penn-Plax Plastics, Inc., Garden City, N.Y.

[**] Term: 14 Years

[21] Appl. No.: 728,391

[22] Filed: Sept. 30, 1976

[51] Int. Cl. D23-01

[52] U.S. Cl. D23/4

[58] Field of Search D23/4; 210/169

[56] References Cited

U.S. PATENT DOCUMENTS

- D. 174,482 4/1955 Willinger et al. D23/4
- D. 190,273 5/1961 Stark D23/4

- D. 213,555 3/1969 Willinger D23/4
- D. 213,691 4/1969 Rosenel D23/4
- D. 232,027 7/1974 Levin D23/4
- 3,477,580 11/1969 Willinger 210/169
- 3,630,367 12/1971 Willinger 210/169
- 3,746,168 7/1973 Willinger et al. 210/169
- 3,746,169 7/1973 Willinger et al. 210/169

Primary Examiner—James R. Largen
Attorney, Agent, or Firm—Hubert T. Mandeville

[57] CLAIM

The ornamental design for an aquarium filter, substantially as shown and described.

DESCRIPTION

FIG. 1 is a perspective view of the aquarium filter showing our new design;
 FIG. 2 is a front elevational view thereof;
 FIG. 3 is an elevational view taken from one side thereof, the opposite side being a mirror image of the side shown;
 FIG. 4 is a rear elevational view thereof;
 FIG. 5 is a bottom plan view thereof; and
 FIG. 6 is a top plan view thereof.

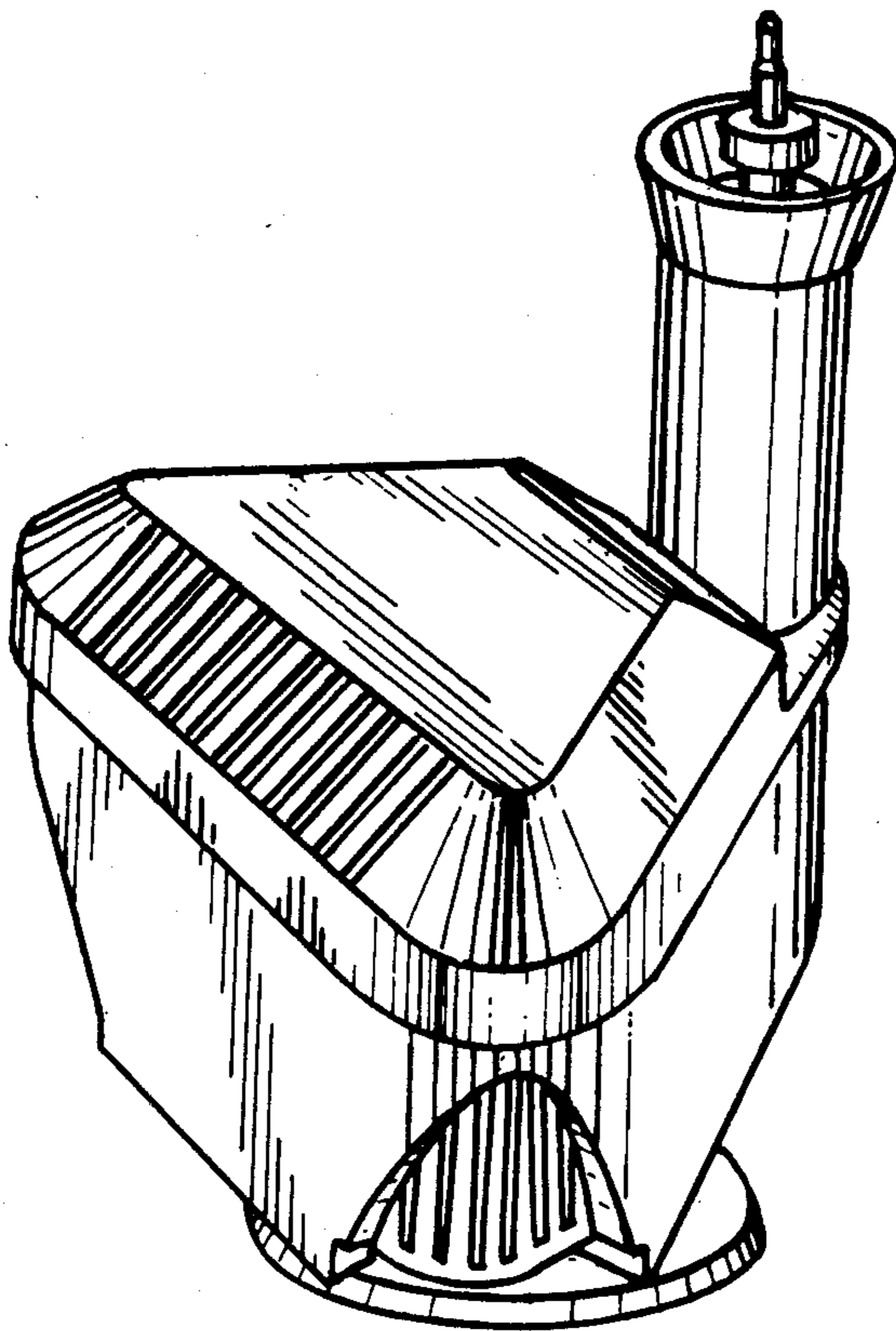


FIG. 1

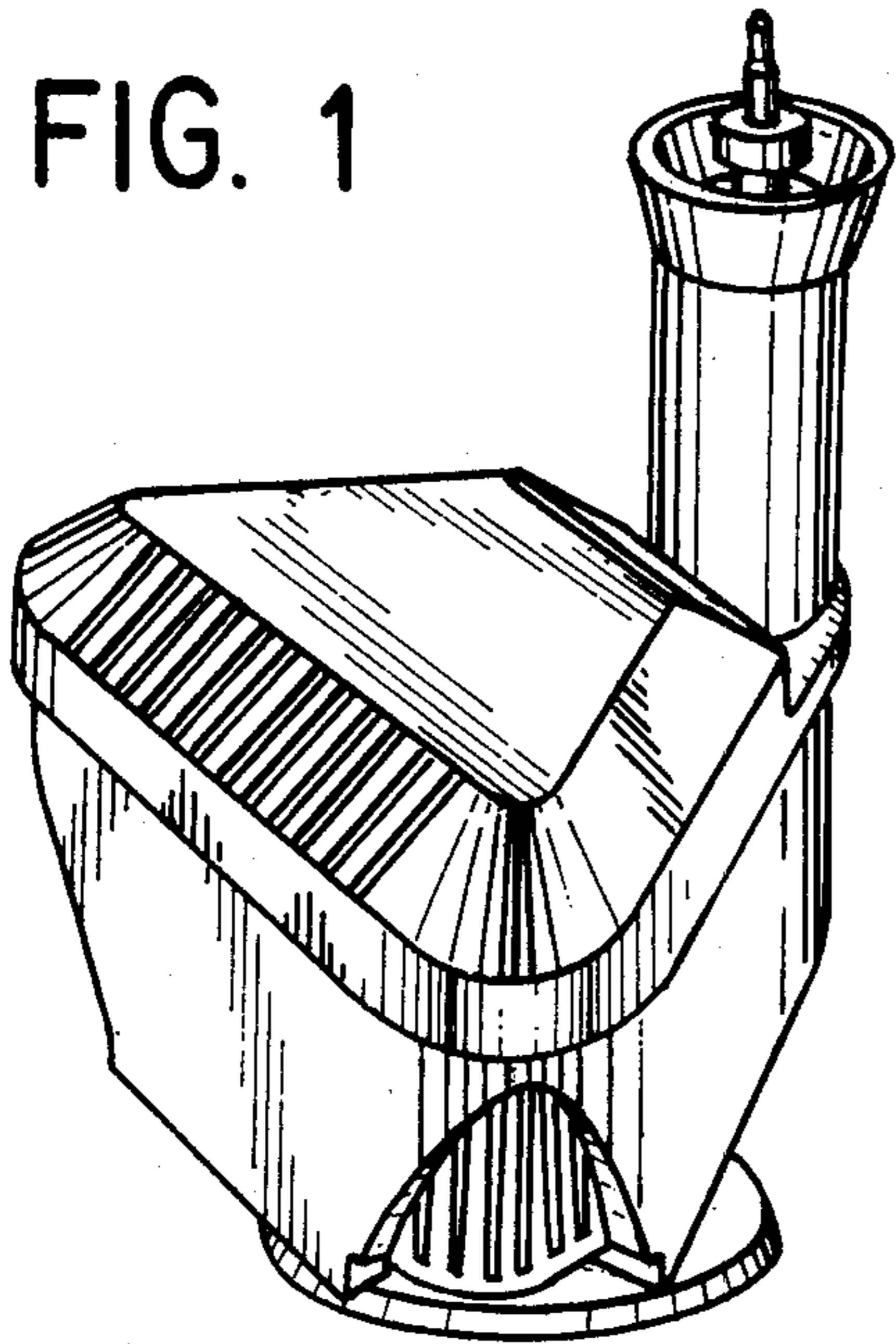


FIG. 2

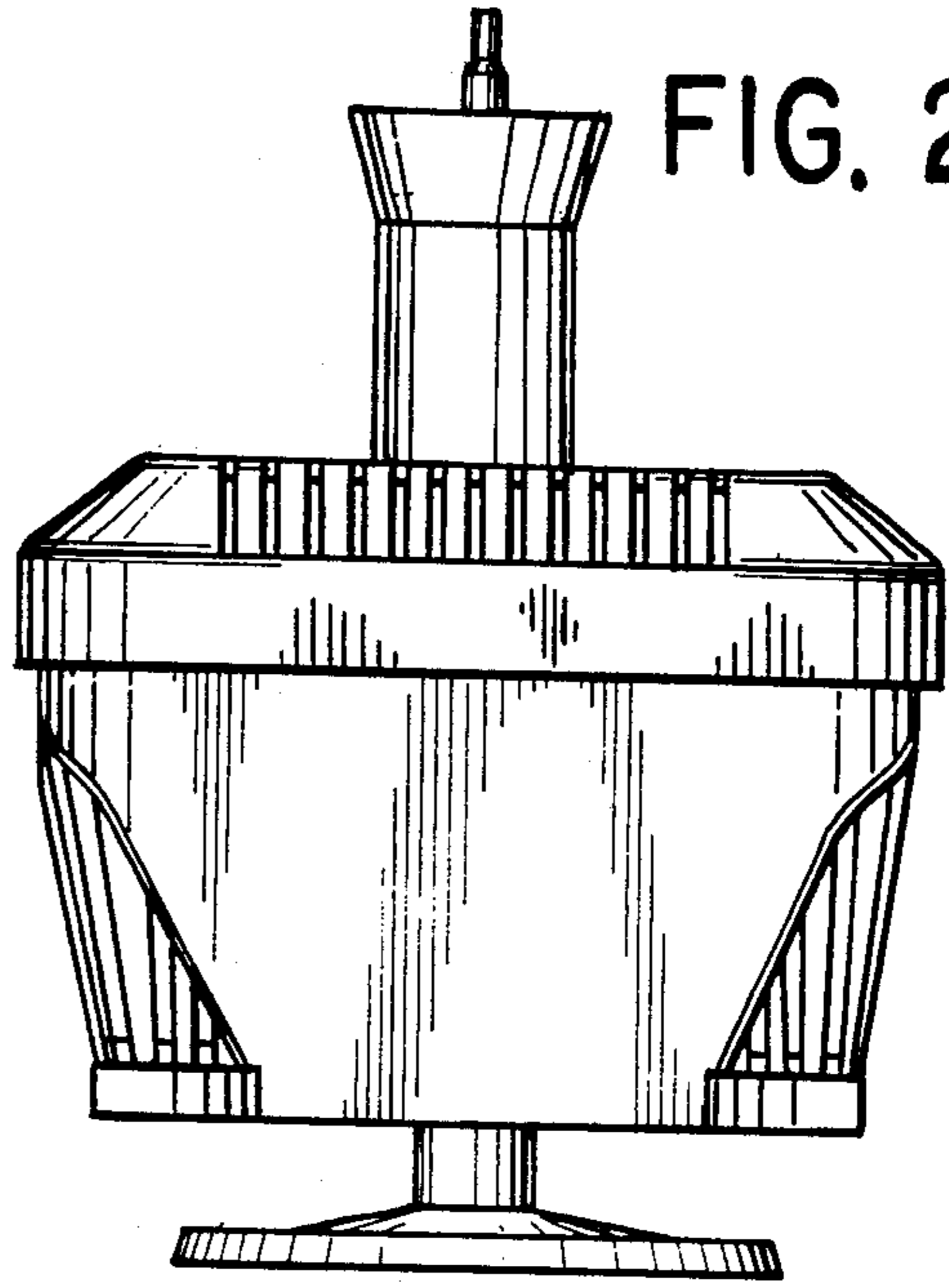


FIG. 3

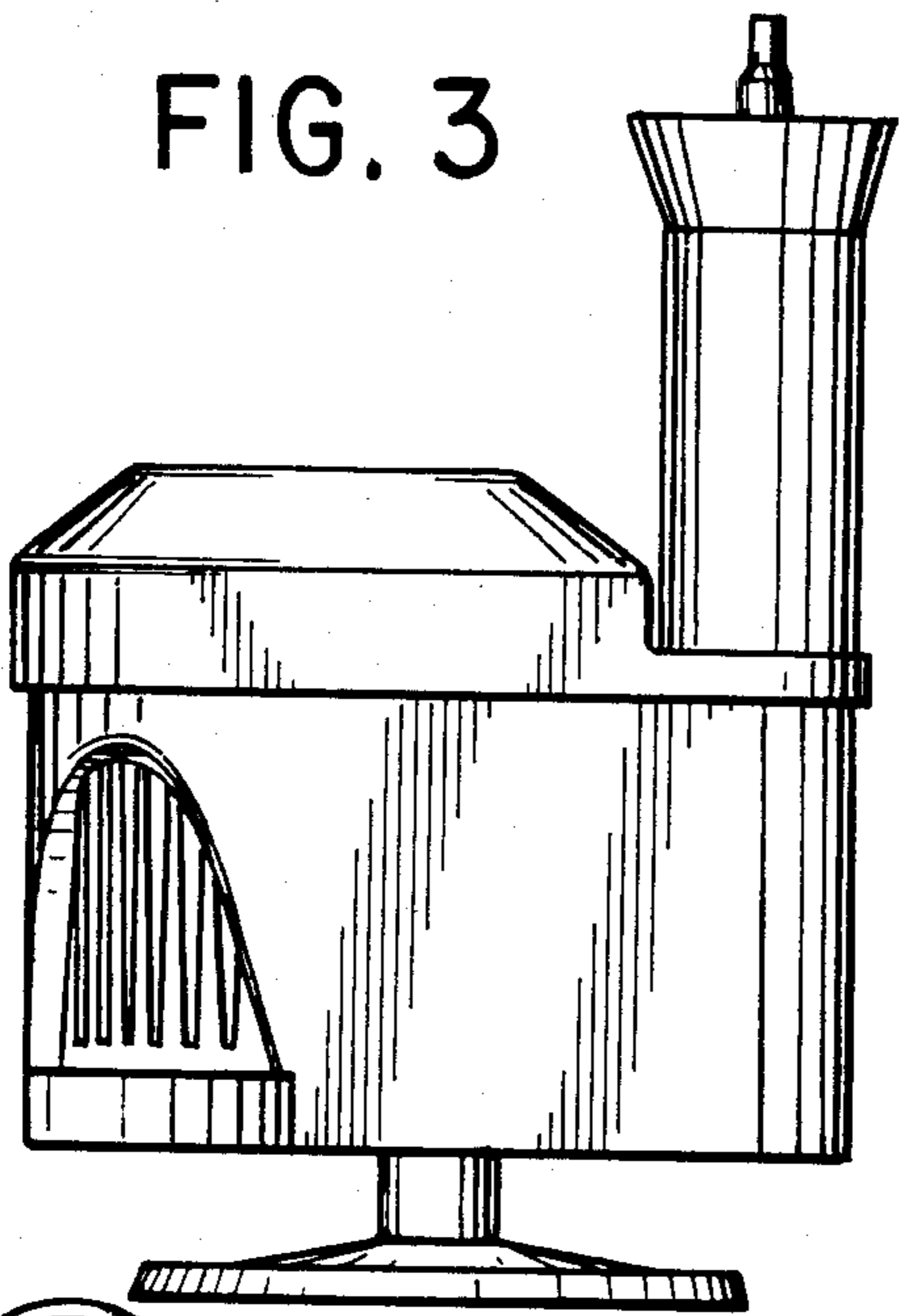


FIG. 4

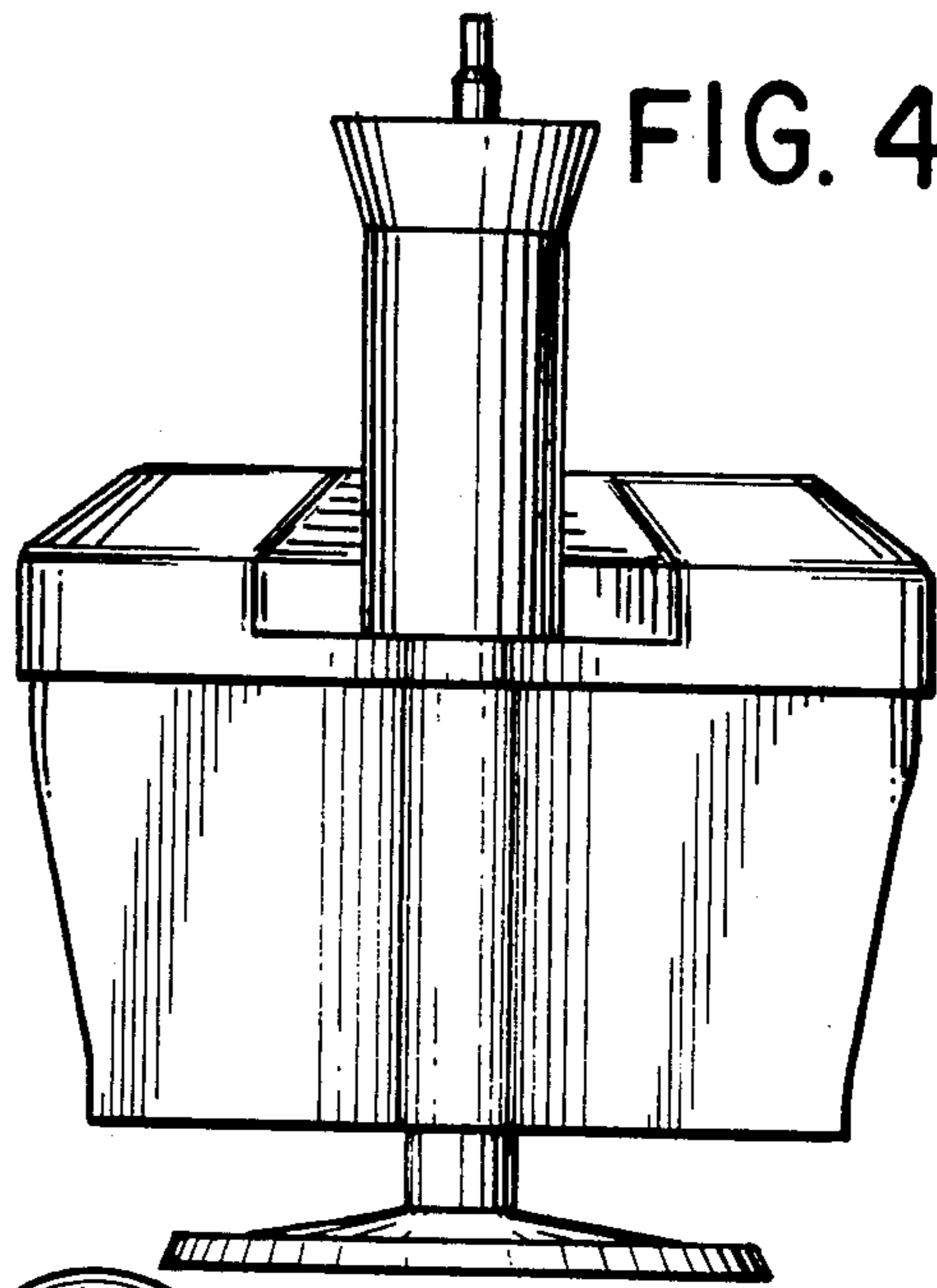


FIG. 5

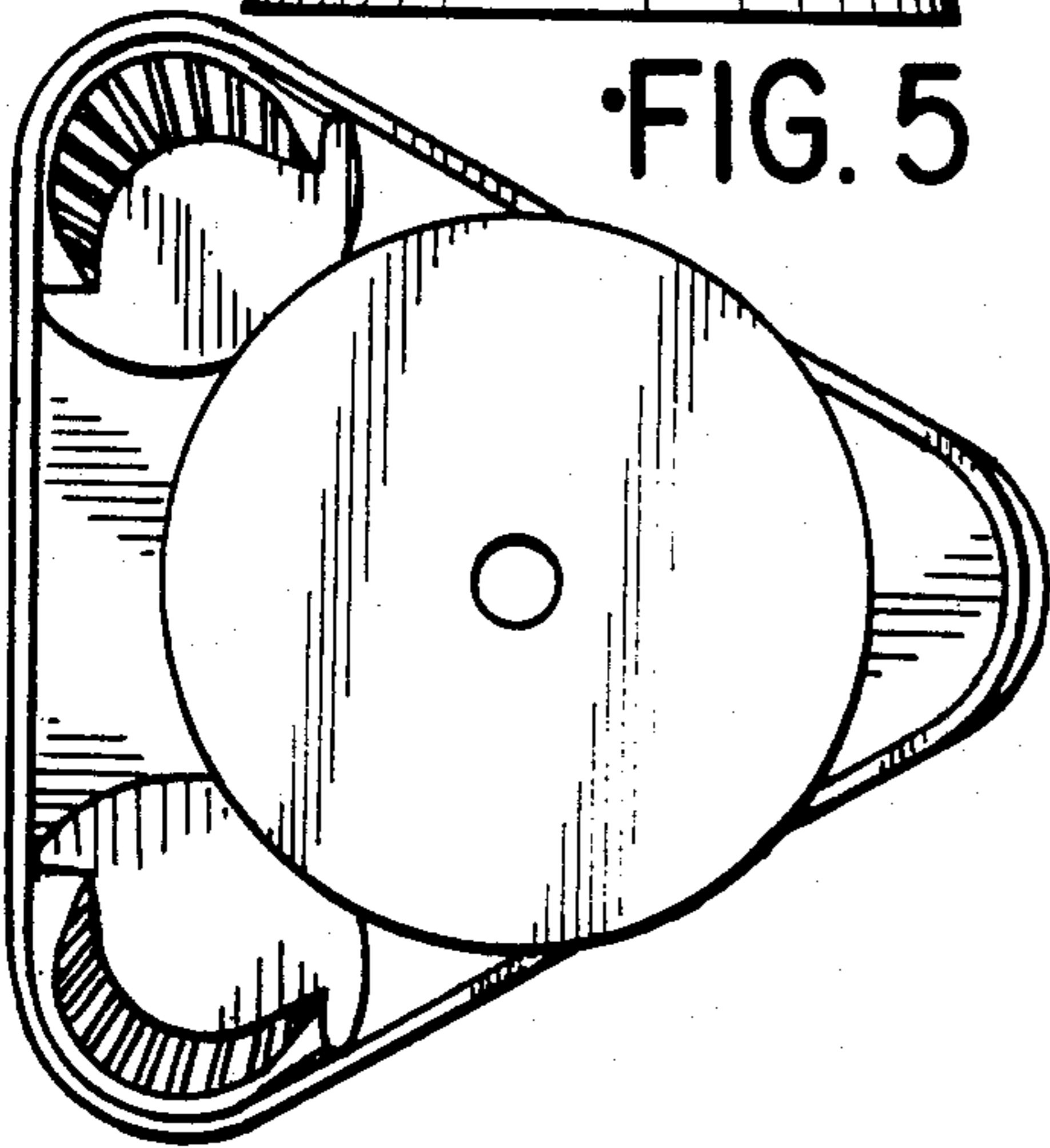


FIG. 6

