

[54] MICROPHONE OR SIMILAR ARTICLE

[75] Inventor: Rudolph William Krolopp, Palatine, Ill.

[73] Assignee: Motorola, Inc., Schaumburg, Ill.

[**] Term: 14 Years

[21] Appl. No.: 699,918

[22] Filed: June 25, 1976

[51] Int. Cl. D14-01
[52] U.S. Cl. D14/12
[58] Field of Search D26/14 B, 14 J;
179/179, 167, 115 R, 115.5 R, 122, 123; D14/12

[56]

References Cited

U.S. PATENT DOCUMENTS

3,365,200	1/1968	Dollenmayer	D26/14 B
3,548,119	12/1970	Ramsey	179/167
3,586,807	6/1971	Guttinger	179/167
3,728,670	4/1973	Rosauer	179/179 X

Primary Examiner—Bernard Ansher
Attorney, Agent, or Firm—James W. Gillman

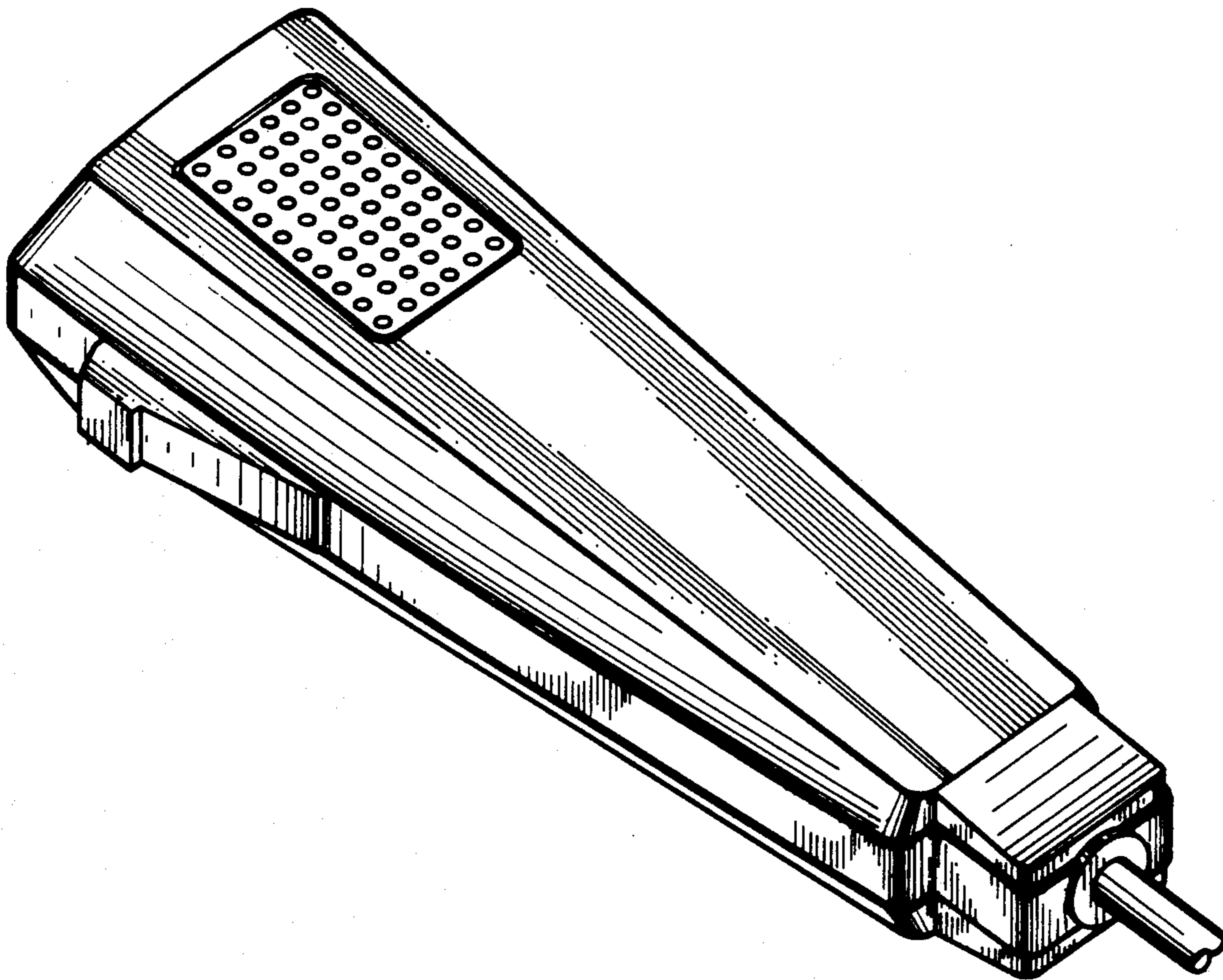
[57]

CLAIM

The ornamental design for a microphone or similar article, substantially as shown and described.

DESCRIPTION

FIG. 1 is a top perspective view of a microphone or similar article showing my new design; FIG. 2 is a side elevation thereof; FIG. 3 is a bottom plan view thereof; FIG. 4 is a rear end elevation thereof; and FIG. 5 is a top perspective view of a modified embodiment of the microphone illustrated in FIG. 1.



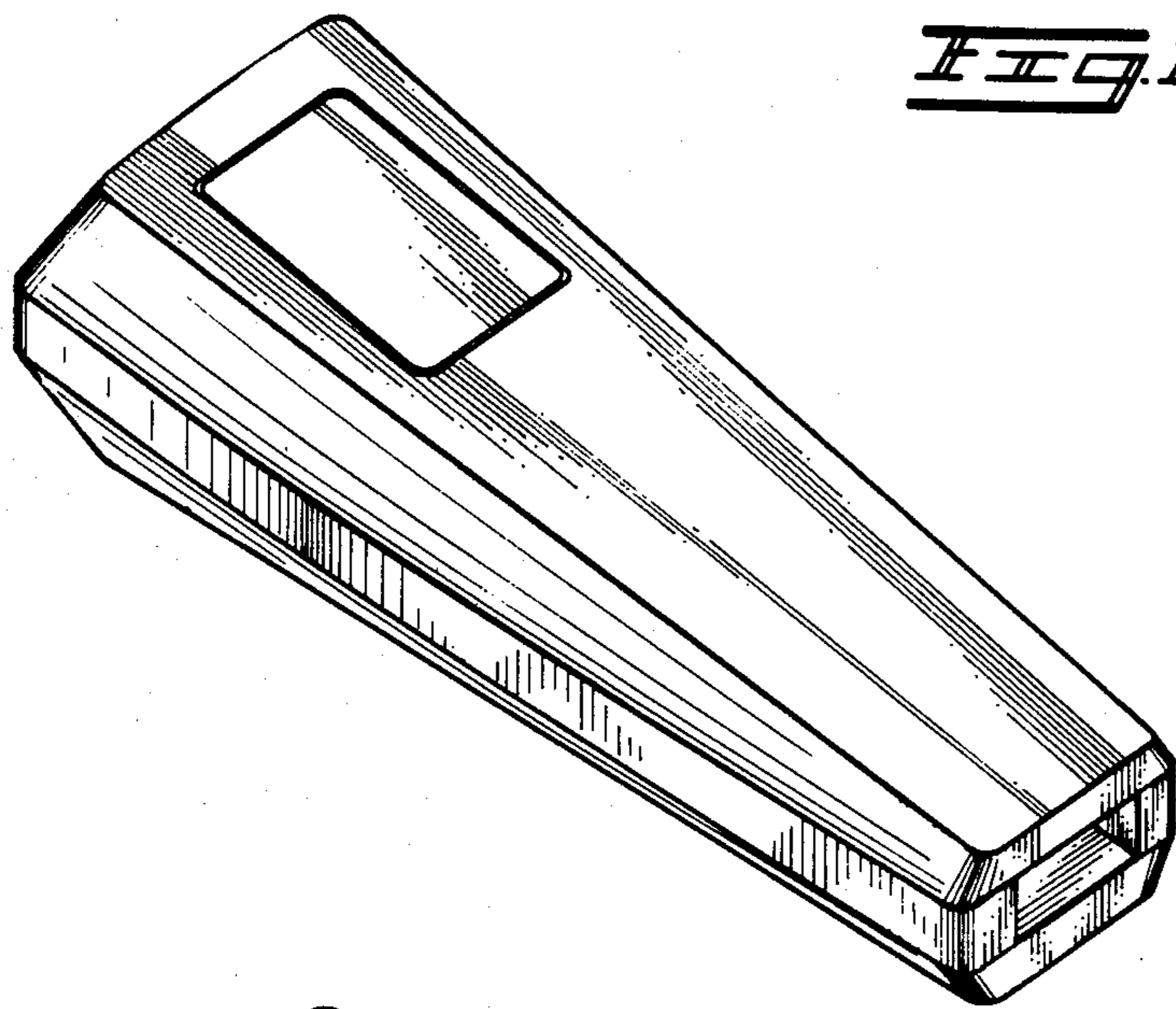


FIG. 2

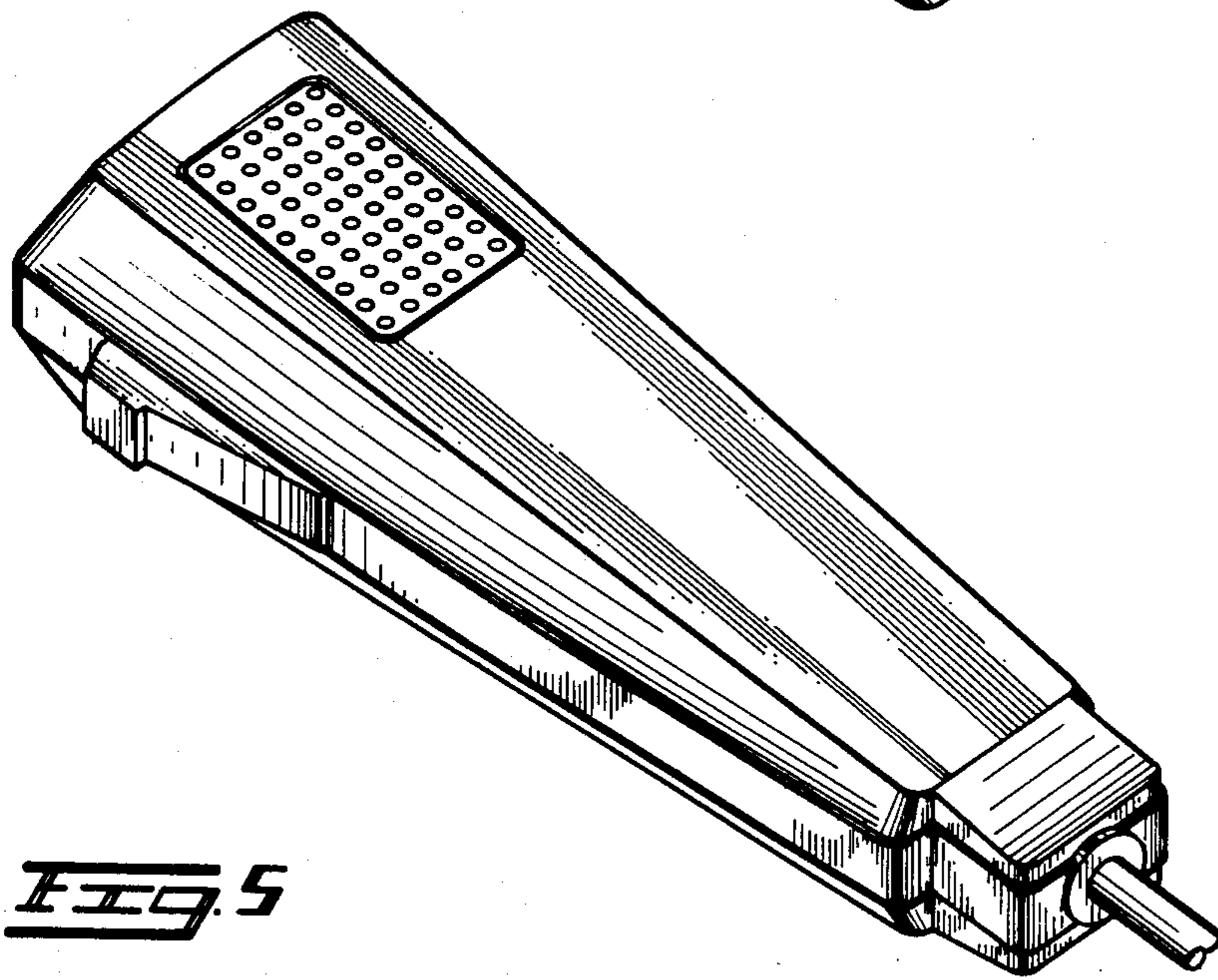
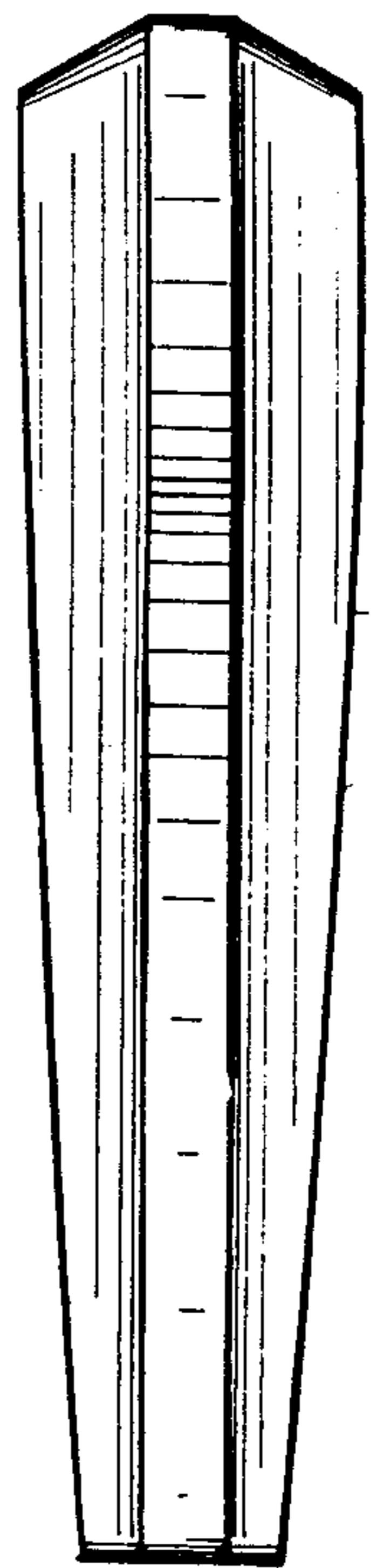


FIG. 5

FIG. 3

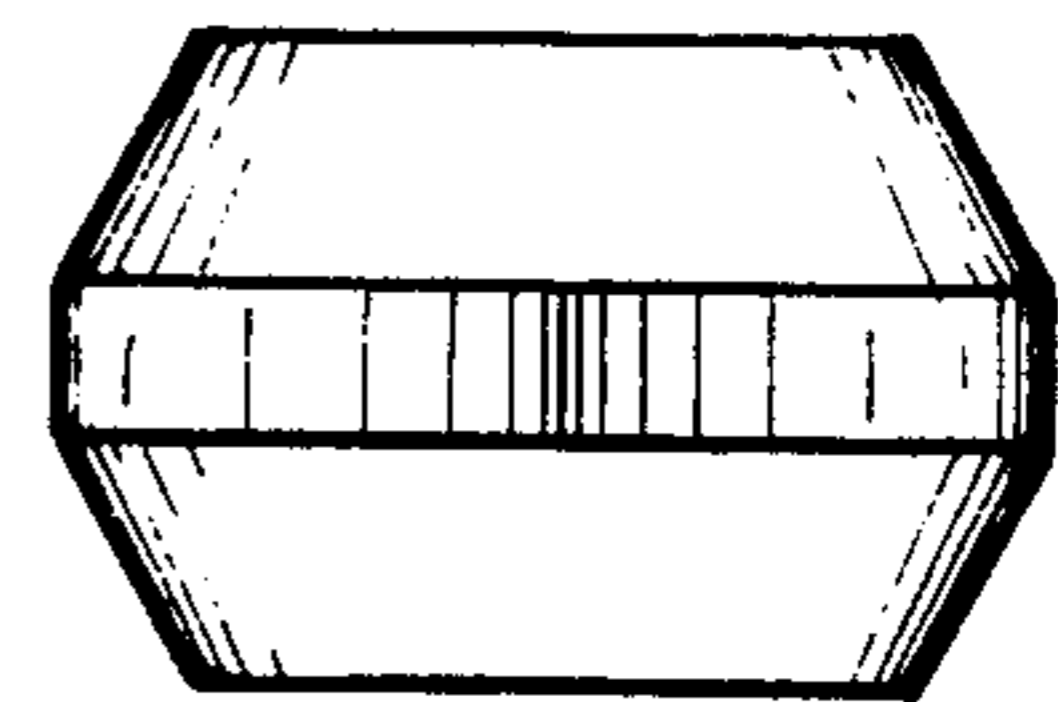
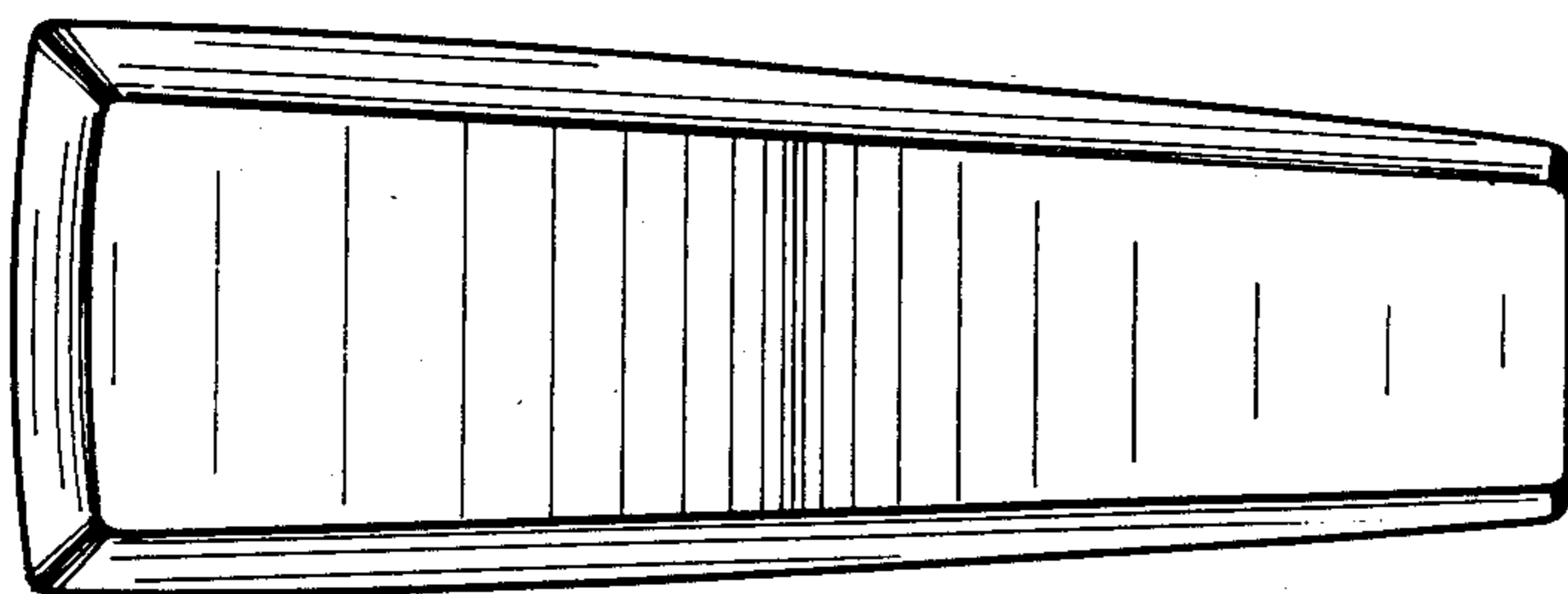


FIG. 4