

[54] **MOTORIZED TRICYCLE**

[76] Inventor: **Michael C. Moore**, 3619 National Ave., San Diego, Calif. 92113

[\*\*] Term: **14 Years**

[21] Appl. No.: **734,378**

[22] Filed: **Oct. 20, 1976**

[51] Int. Cl. .... **D12-11**

[52] U.S. Cl. .... **D12/110**

[58] Field of Search ..... **D12/110, 112, 85;**  
**D34/15 AJ; 180/27, 26 R, 25 R**

[56] **References Cited**  
**PUBLICATIONS**

Trike World Inc. Flyer, Rec'd. 2/9/74, 3-Wheel Motorcycle, top of page.  
Hot Rod, 9/70, p. 78, Big Twin Twin.

Cycle World, 8/73, p. 72, Moontrike, top left side of page.

Cycle World, 8/72, p. 63, Trike, 4, bottom left side of page.

Industrial Equipment News, 12/73, p. 11, Super Truck, center right side of page.

*Primary Examiner*—Wallace R. Burke

*Assistant Examiner*—James M. Gandy

*Attorney, Agent, or Firm*—Carl R. Brown

[57] **CLAIM**

The ornamental design for a motorized tricycle, substantially as shown.

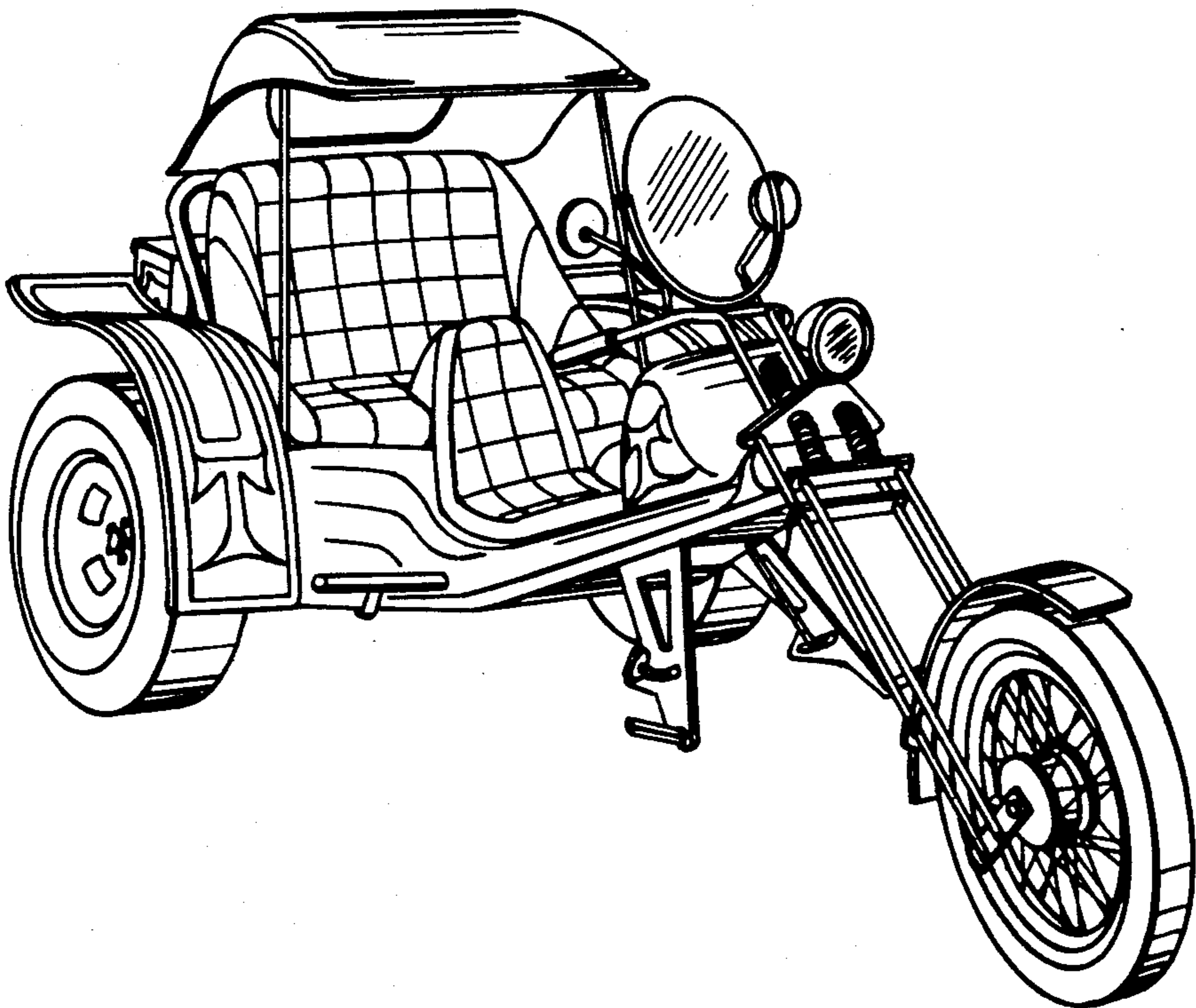
**DESCRIPTION**

FIG. 1 is a perspective view from the front and one side of a motorized tricycle, showing my new design;

FIG. 2 is a perspective view from the opposite side thereof;

FIG. 3 is a perspective view from the rear and one side thereof; and

FIG. 4 is a view substantially from the rear thereof.



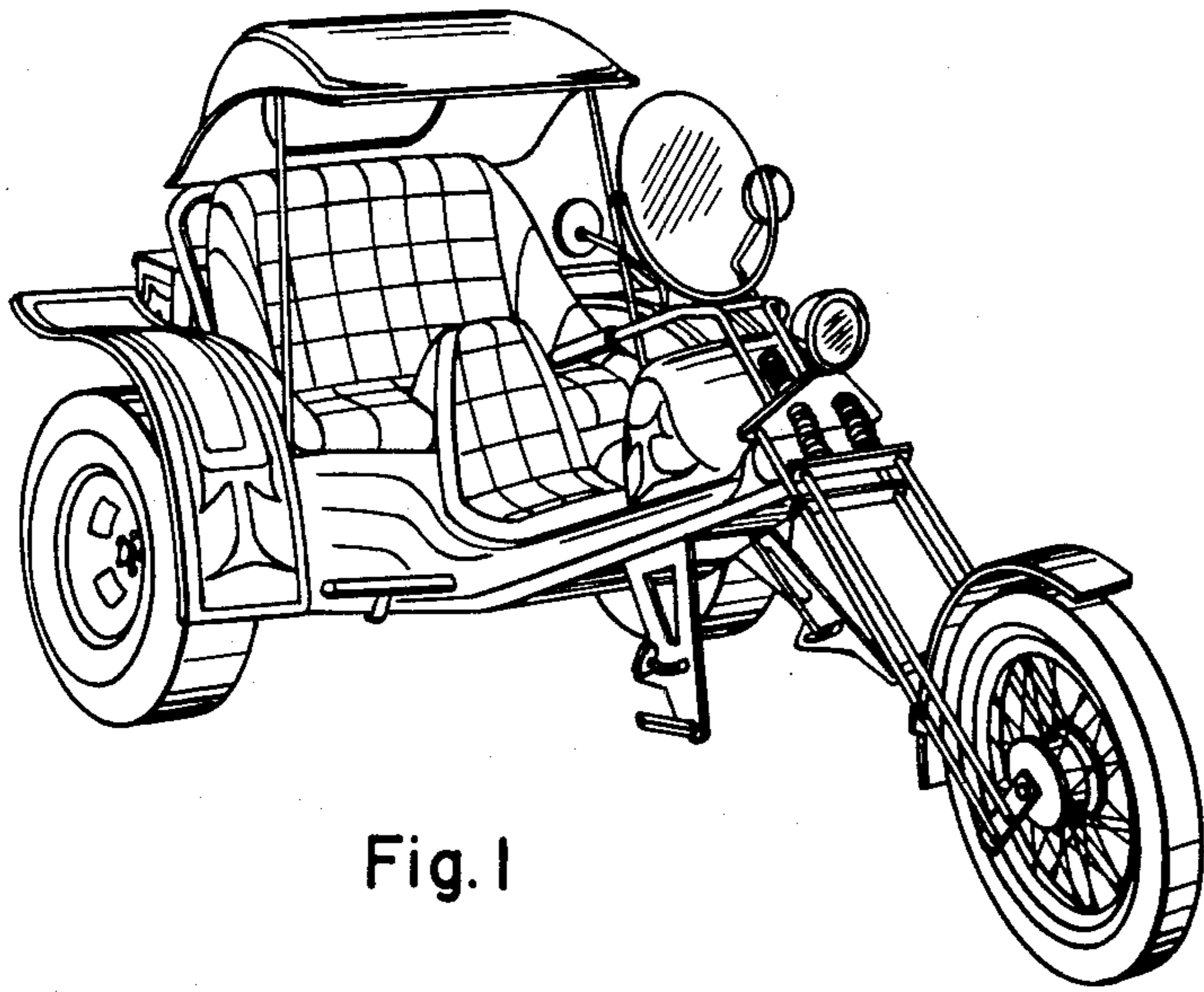


Fig. 1

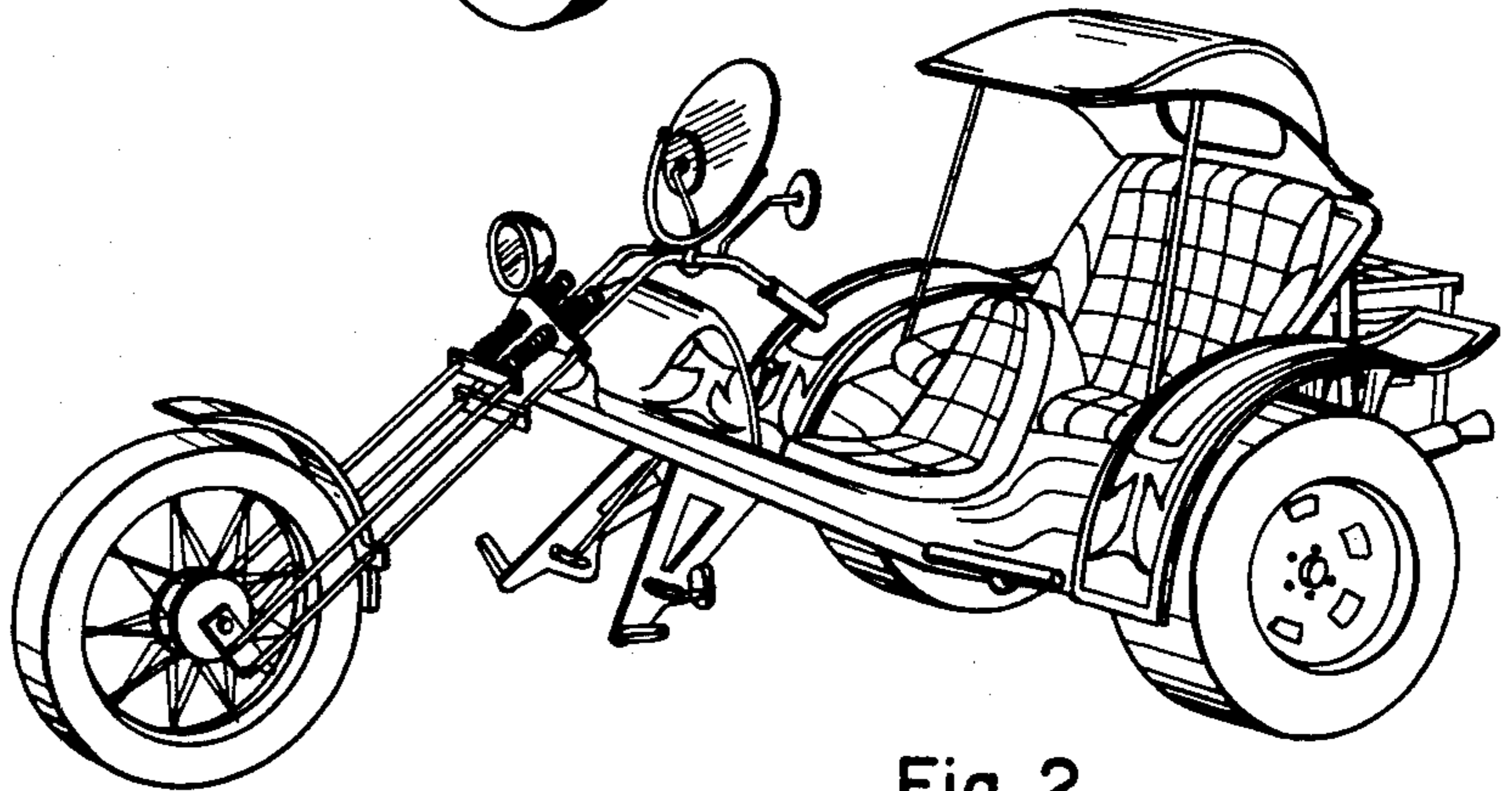


Fig. 2

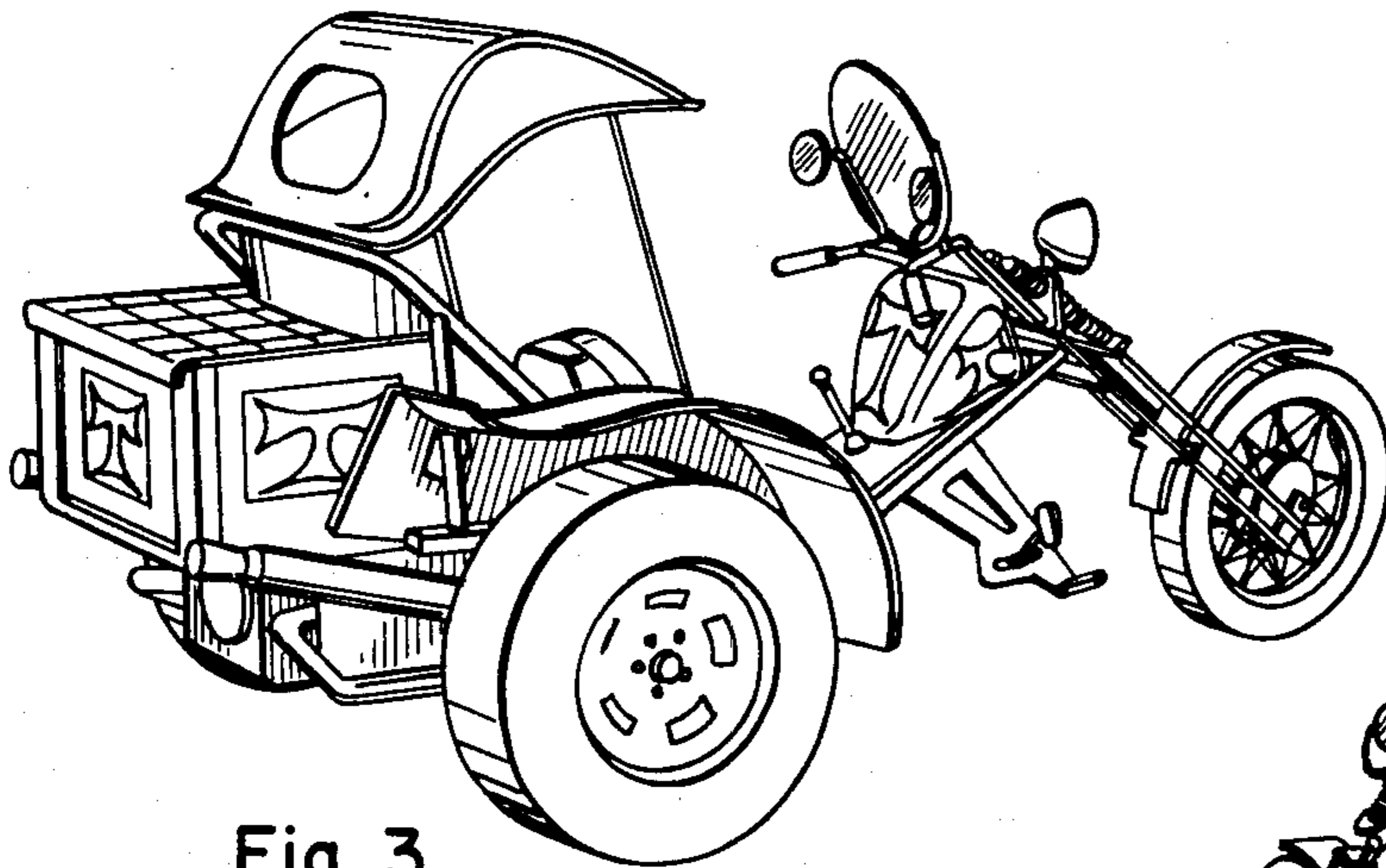


Fig. 3

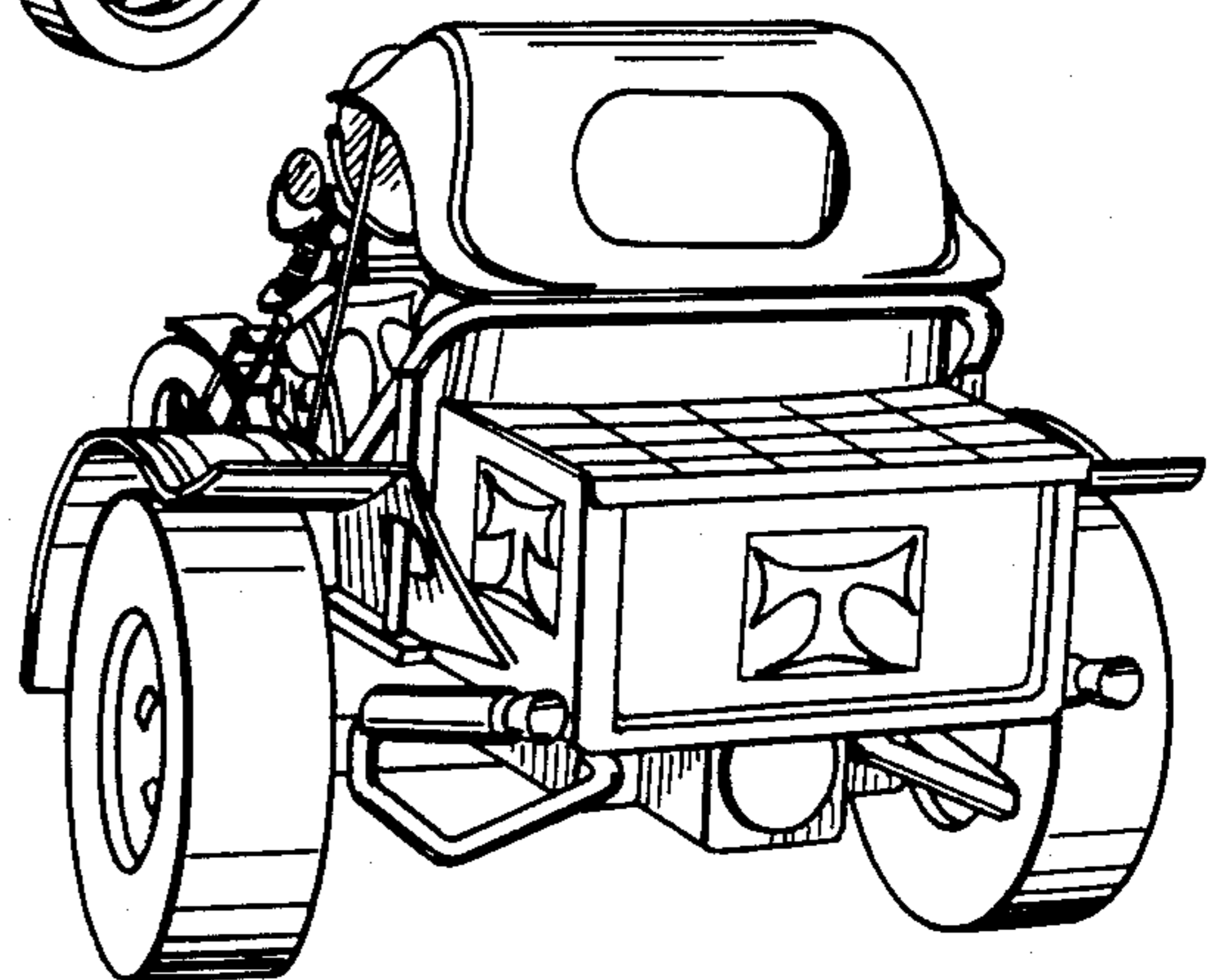


Fig. 4