

[54] VEHICLE

[75] Inventor: Curtis Brubaker, Los Angeles, Calif.

[73] Assignee: Filmation Associates

[**] Term: 14 Years

[21] Appl. No.: 726,240

[22] Filed: Sept. 24, 1976

[51] Int. Cl. D12-08

[52] U.S. Cl. D12/90

[58] Field of Search D12/87, 90, 91, 92, D12/99; D34/15 AJ; 296/28 R; 46/251, 201

[56] References Cited

PUBLICATIONS

Road & Track, 3/73, p. 4, Brubaker's Box, bottom center of page.

Autocar, 8/23/75, p. 44, BCX III Vehicle, upper left side of page.

Hot Rod, 8/75, p. 20, Vehicle, bottom center of page.

Primary Examiner—Wallace R. Burke

Assistant Examiner—James M. Gandy

Attorney, Agent, or Firm—Michael A. Painter

[57] CLAIM

The ornamental design for a vehicle, substantially as shown.

DESCRIPTION

FIG. 1 is a top plan view of a vehicle showing my new design;

FIG. 2 is a side elevation view thereof;

FIG. 3 is a side elevation view thereof opposite to that shown in FIG. 2;

FIG. 4 is a front elevation view thereof; and

FIG. 5 is a rear elevation view thereof.

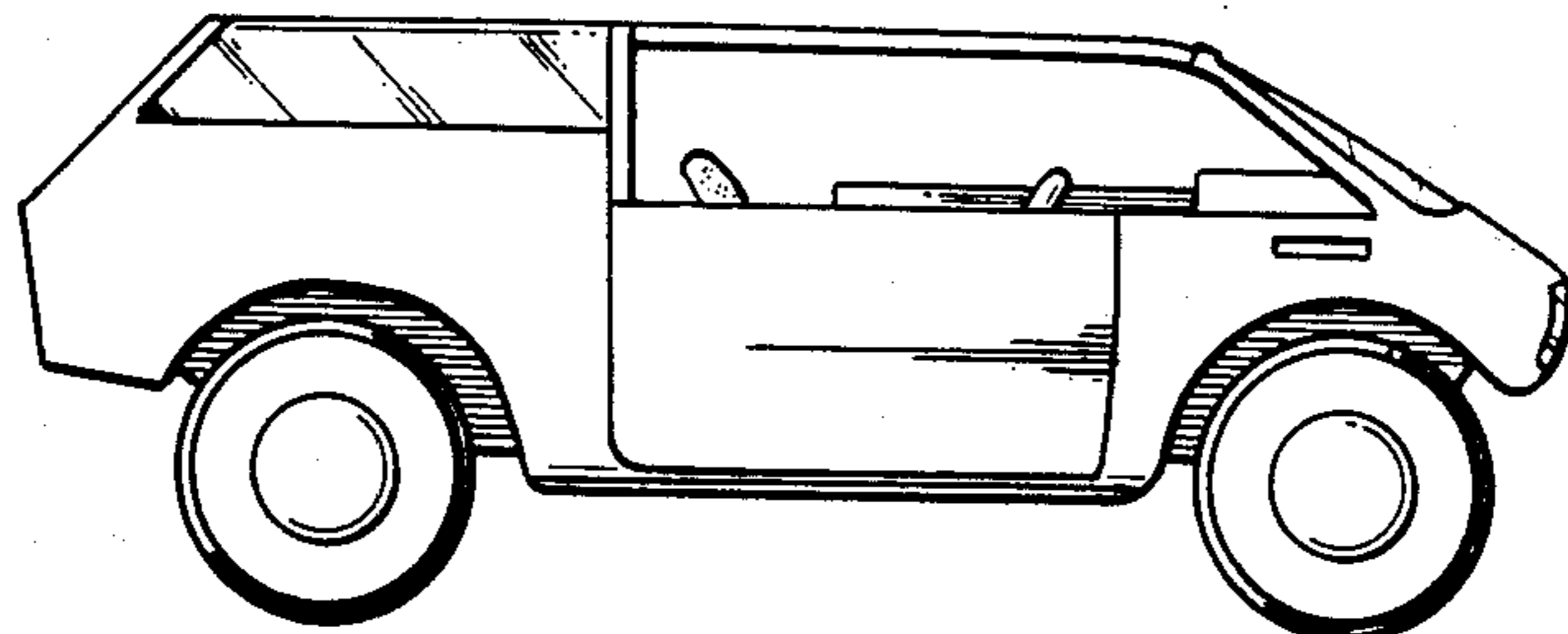
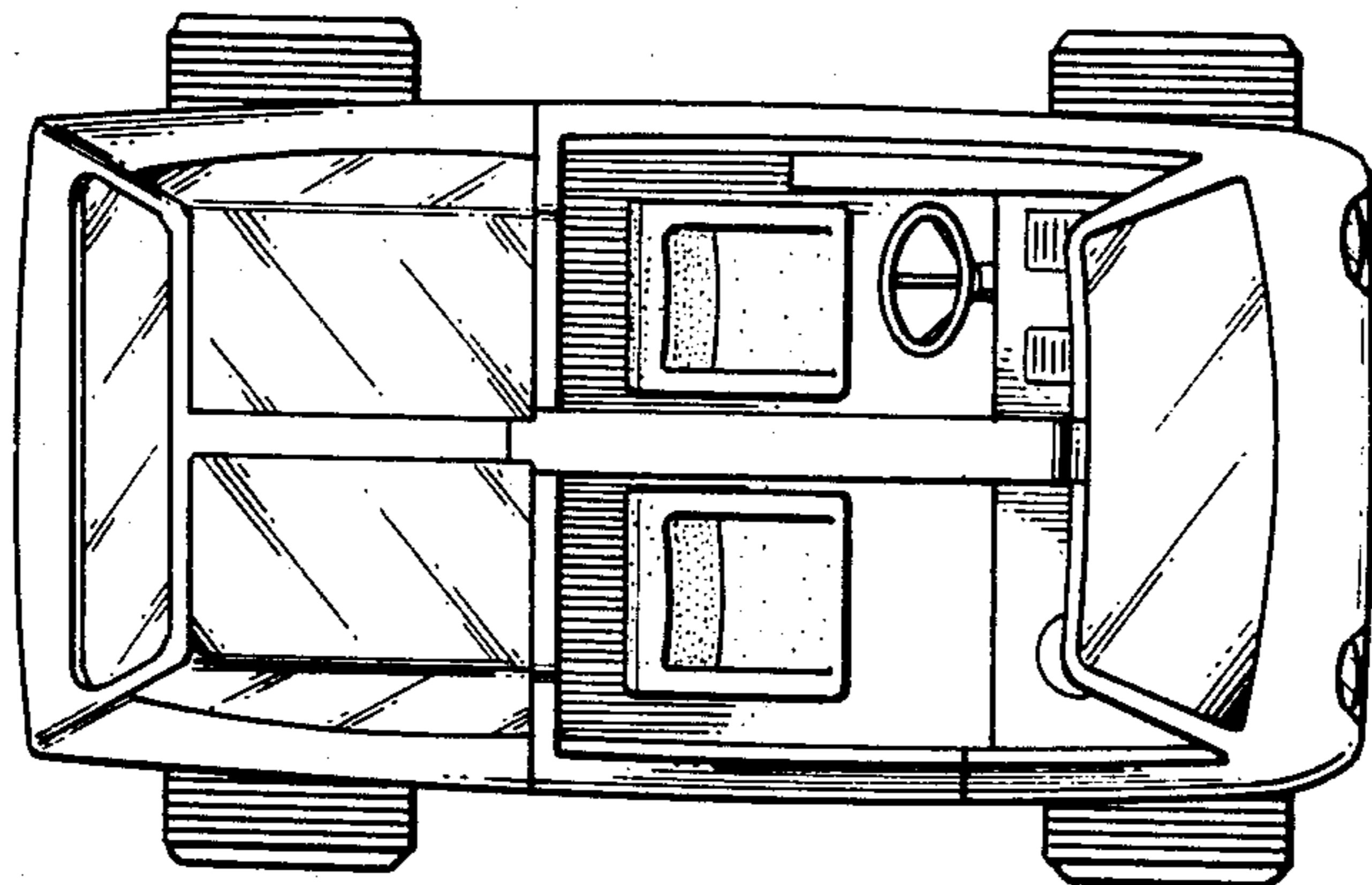


Fig. 1.

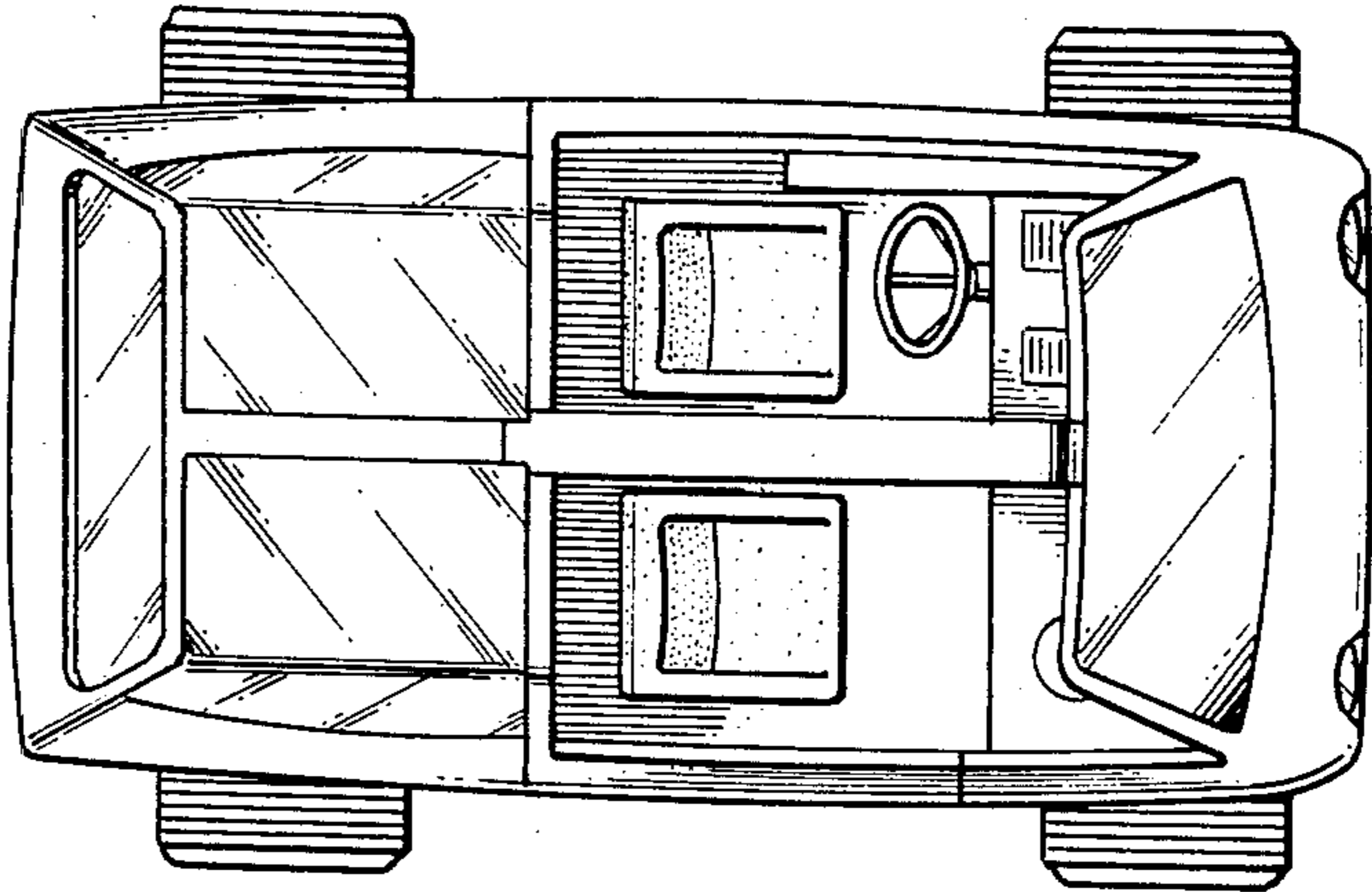


Fig. 2.

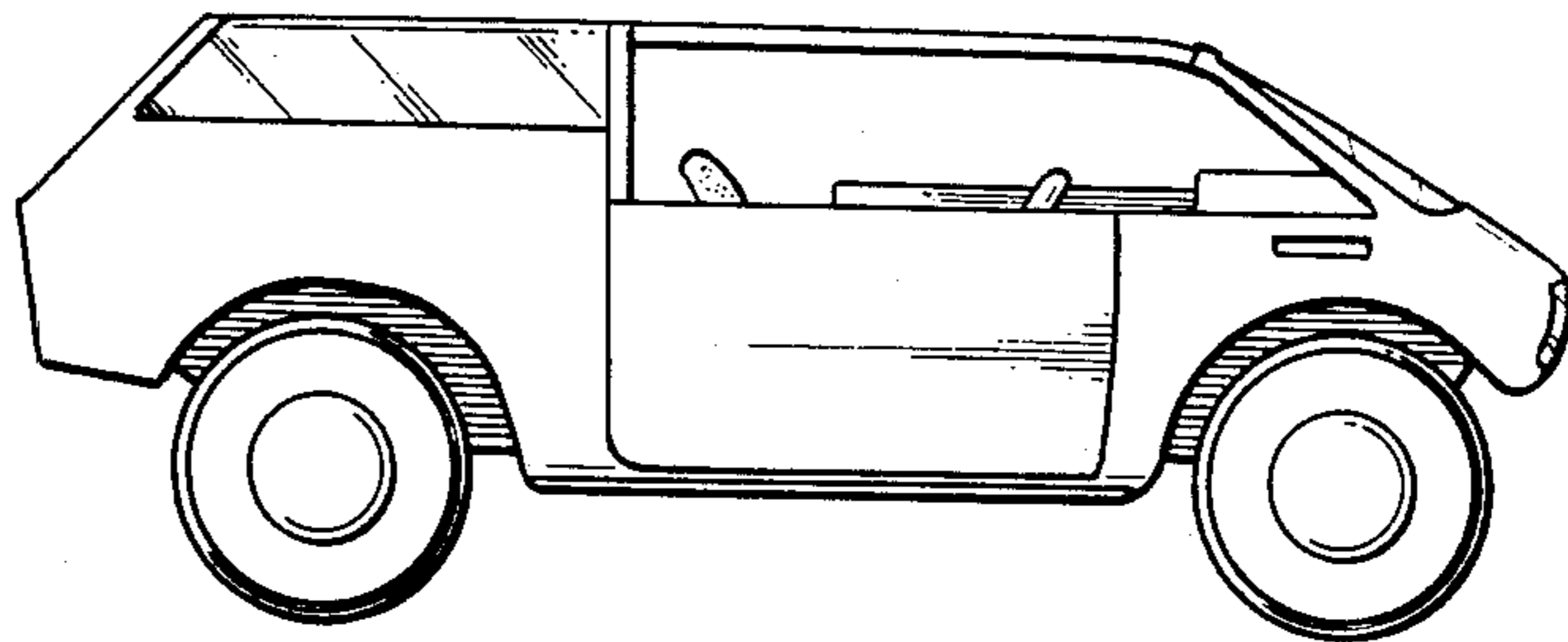


Fig. 3.

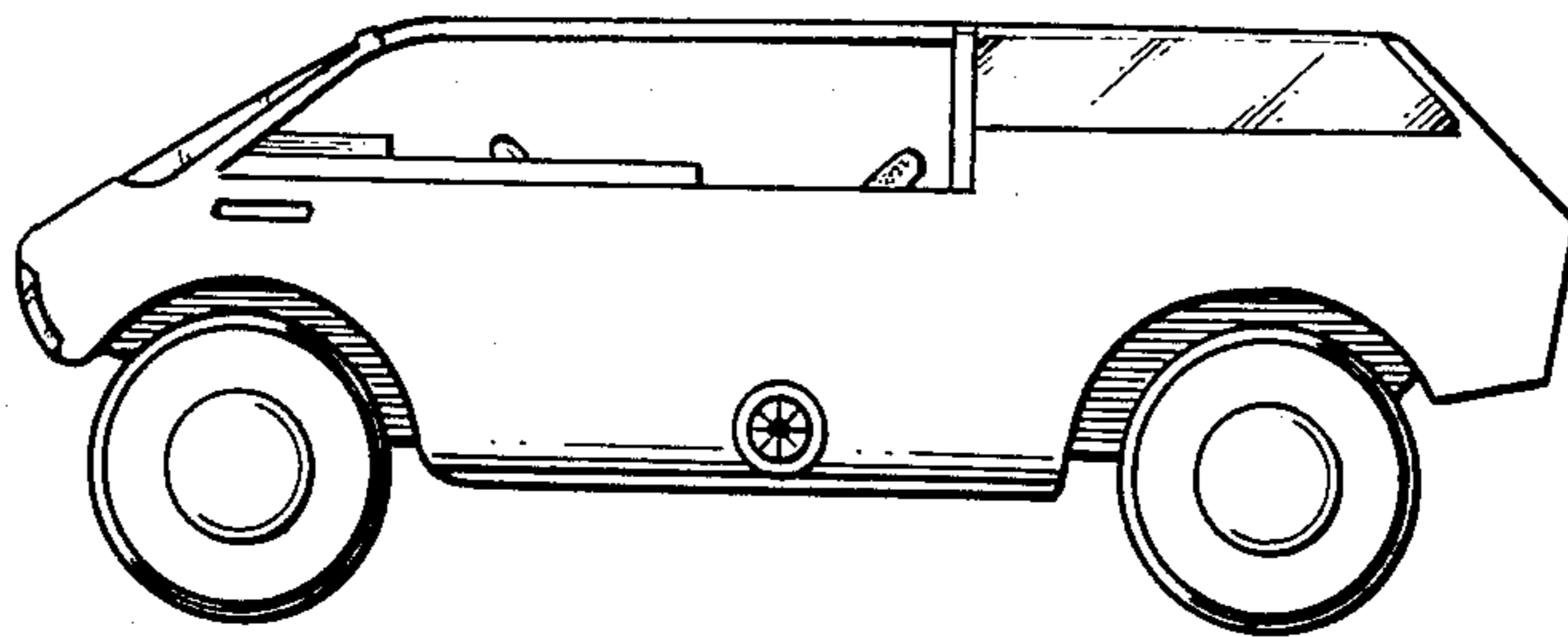


Fig. 4.

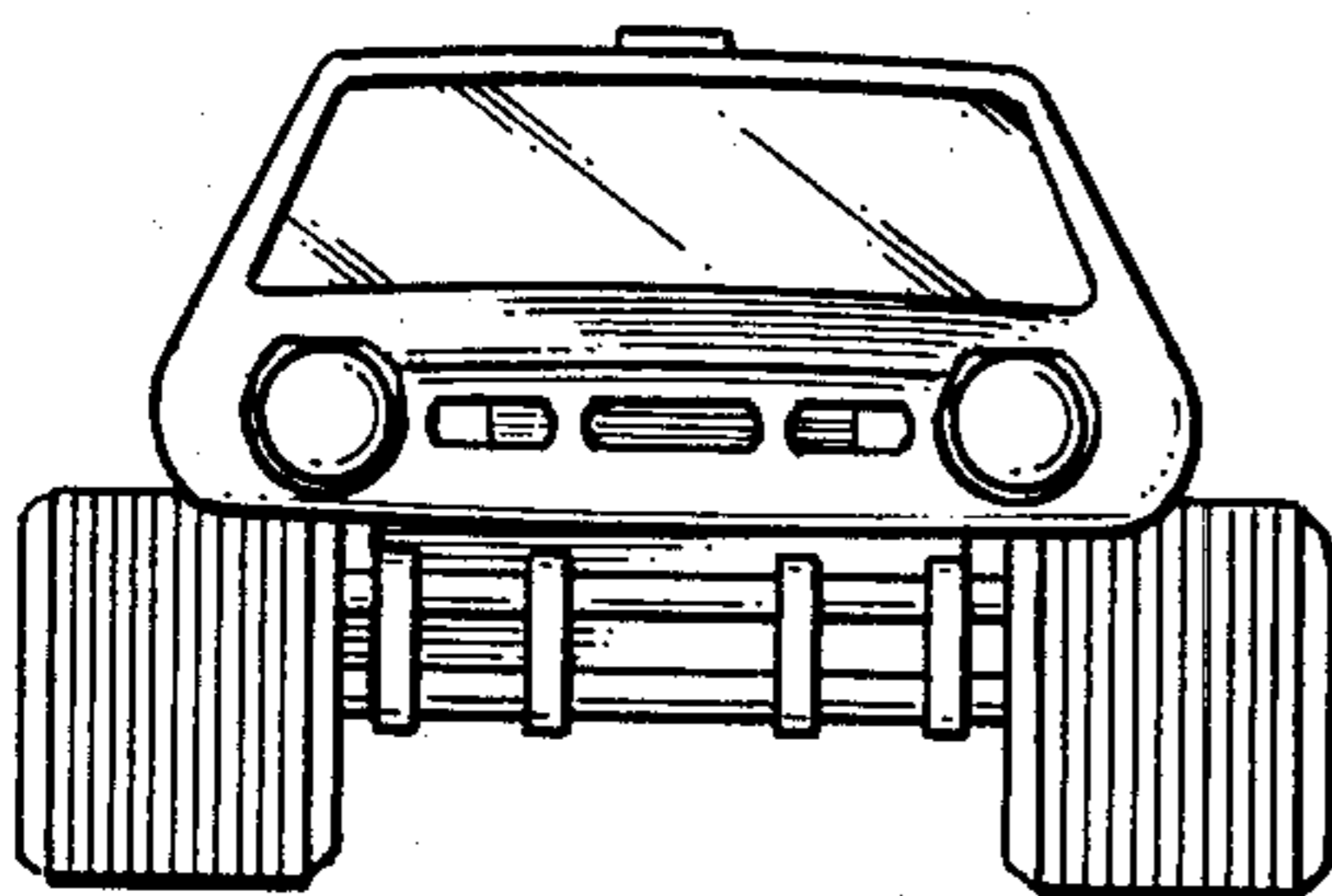


Fig. 5.

