

[54] INFRARED THERMOMETER

[75] Inventor: Charles E. Everest, Santa Ana, Calif.

[73] Assignee: Telatemp Corporation, Fullerton, Calif.

[**] Term: 14 Years

[21] Appl. No.: 622,669

[22] Filed: Oct. 15, 1975

[51] Int. Cl. D10-04

[52] U.S. Cl. D10/57

[58] Field of Search D10/46-47, D10/52-53, 57-58, 60, 75, 78, 80, 102-103; 73/355

[56] References Cited

U.S. PATENT DOCUMENTS

D. 231,739 6/1974 Gauthier D10/78
3,761,713 9/1973 Merrill 73/355 R

OTHER PUBLICATIONS

Wahl (Flyer) -9/30/74- "Heat Spy" I.R. Thermometers at bottom and center of p. 2.

Primary Examiner—Nelson C. Holtje
Attorney, Agent, or Firm—Edward D. O'Brian

[57] CLAIM

The ornamental design for an infrared thermometer, substantially as shown and described.

DESCRIPTION

FIG. 1 is a rear perspective view of an infrared thermometer showing my new design;
FIG. 2 is a right side elevational view thereof;
FIG. 3 is a front elevational view thereof;
FIG. 4 is a top plan view thereof; and
FIG. 5 is a bottom plan view thereof.

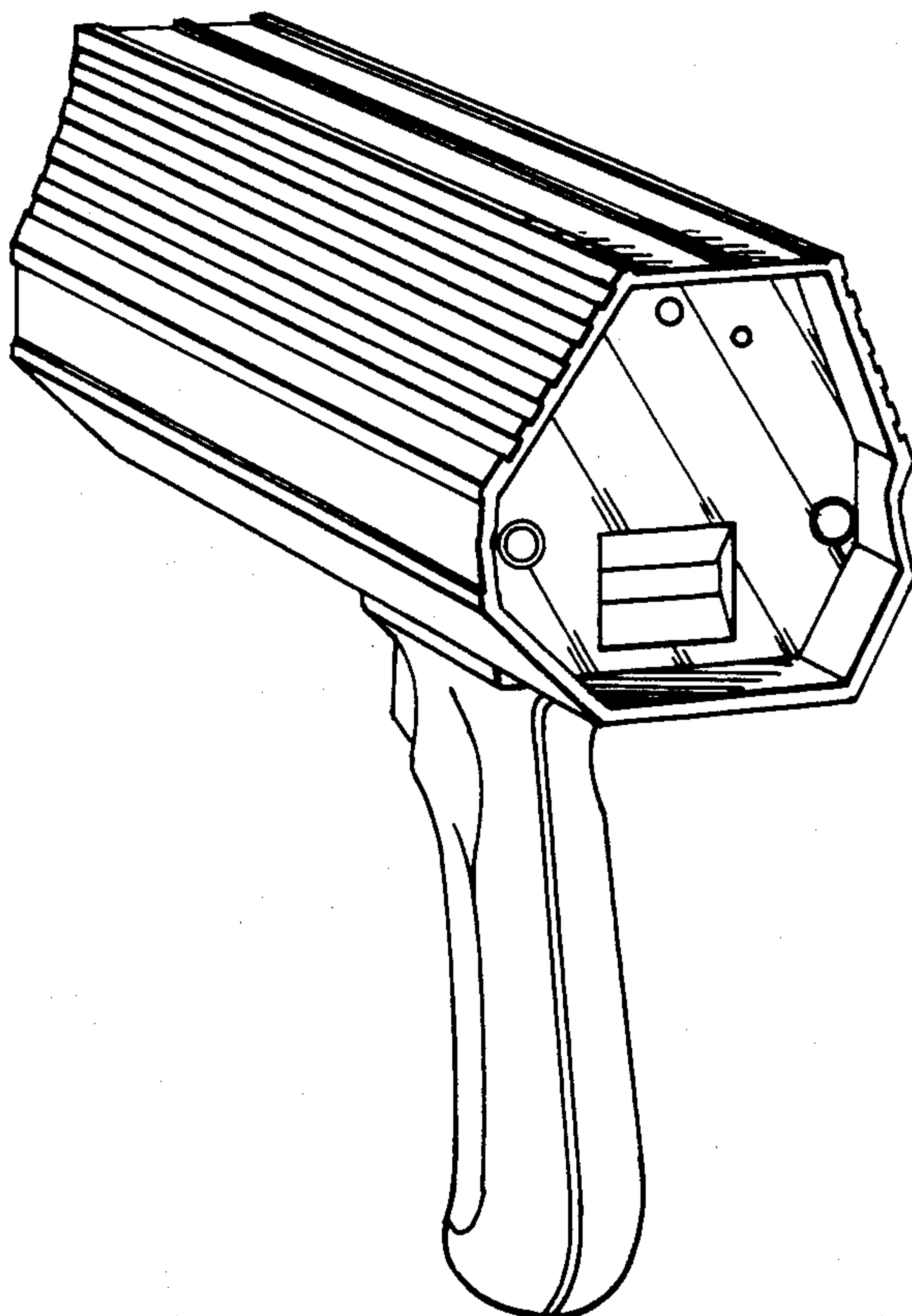


FIG. 1.

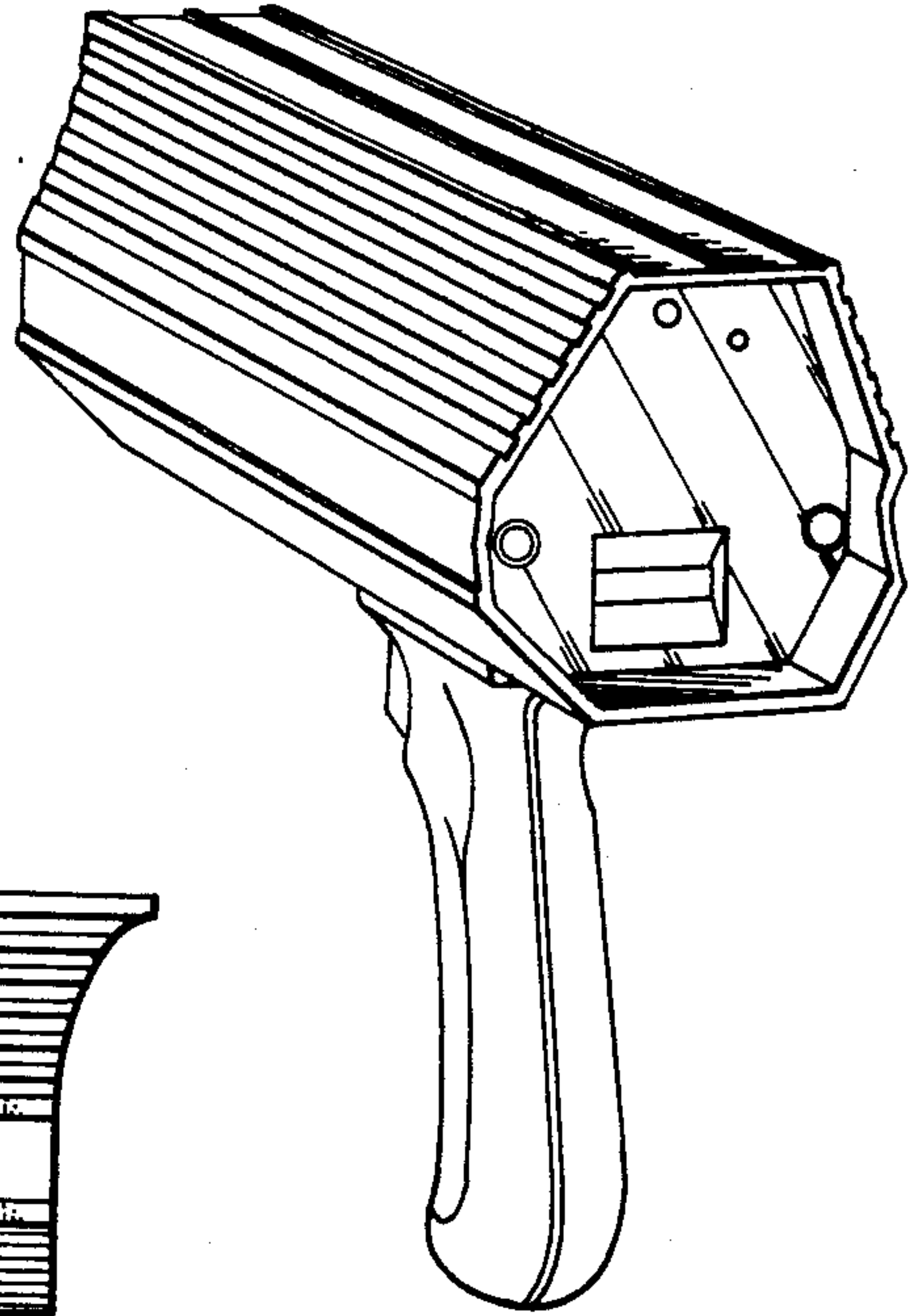


FIG. 2.

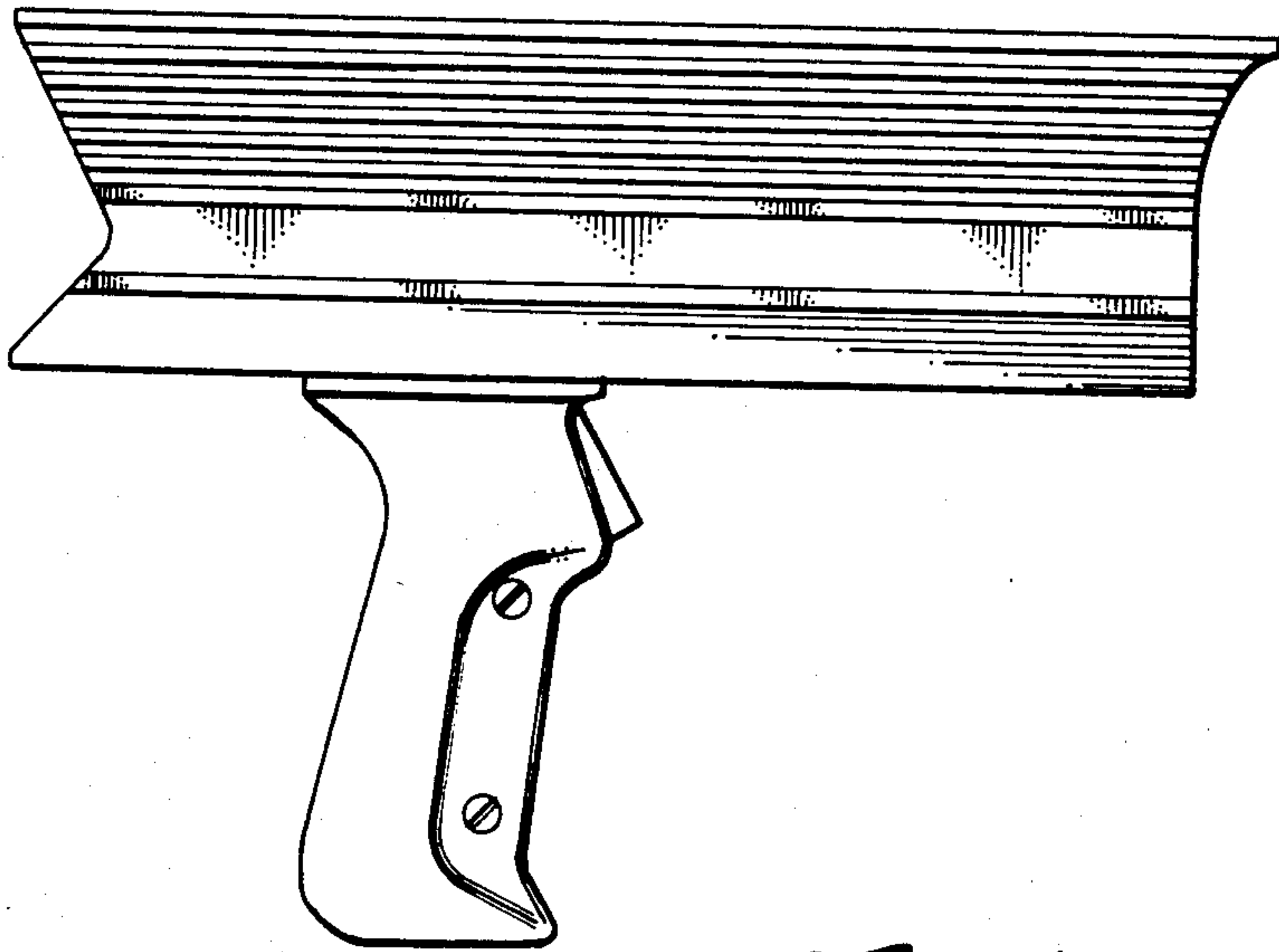


FIG. 3.

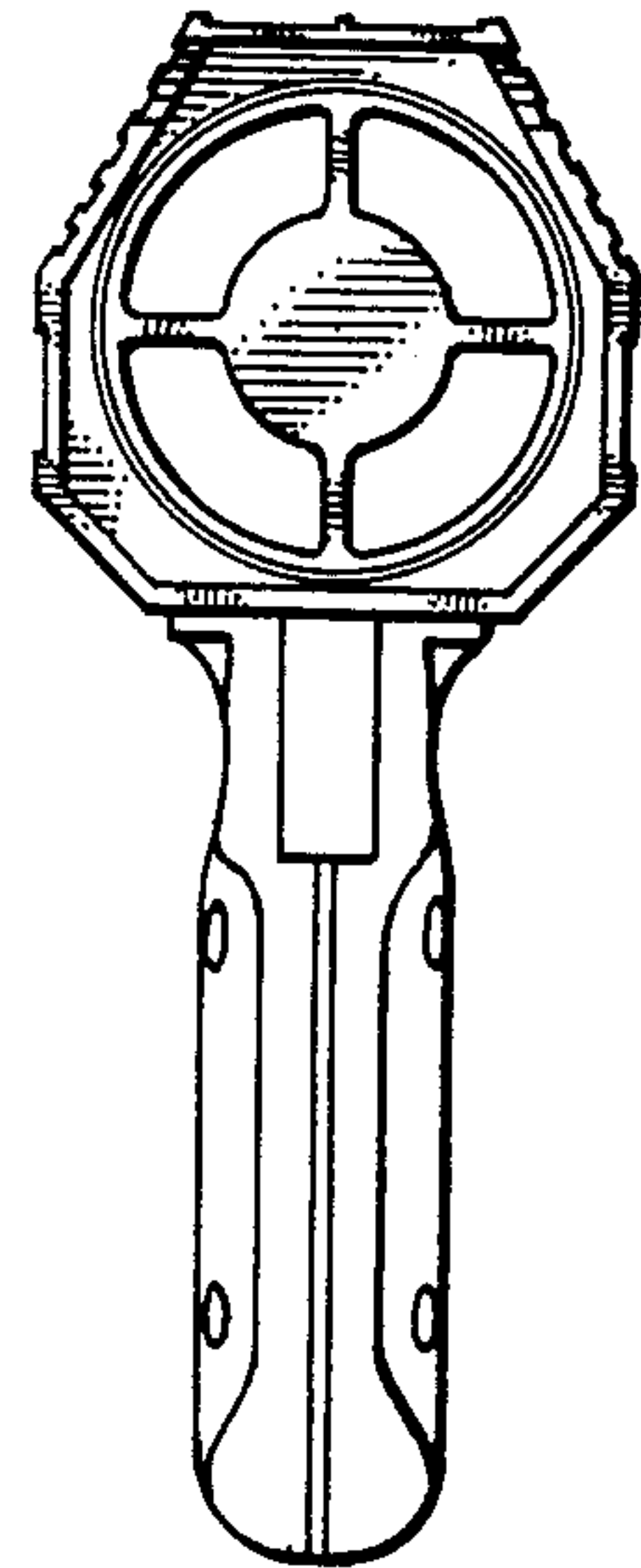


FIG. 4.

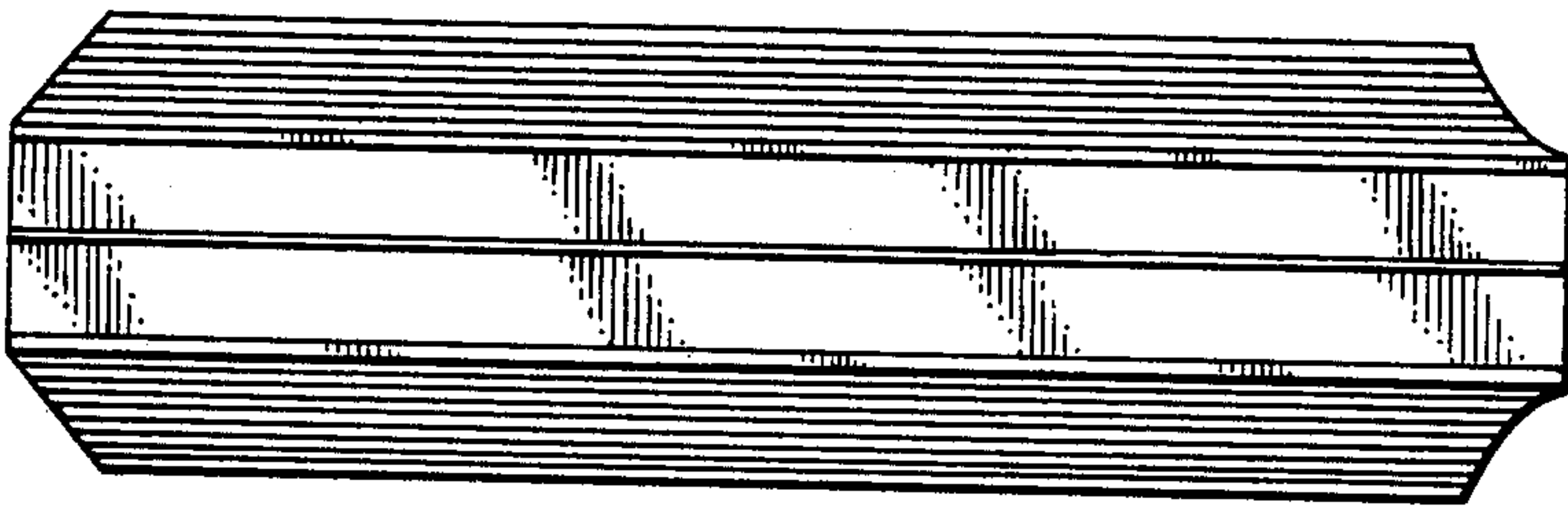


FIG. 5.

