

[54] BAIL PULL

[75] Inventor: LaVerne E. Clayton, Rockford, Ill.

[73] Assignee: Amerock Corporation, Rockford, Ill.

[\*\*] Term: 14 Years

[21] Appl. No.: 746,608

[22] Filed: Dec. 1, 1976

[51] Int. Cl. .... D8-06

[52] U.S. Cl. .... D8/306

[58] Field of Search ..... D8/300, 301, 305-307,  
D8/310, 313-323, 349-353, 400, 401; 16/110 R

[56] References Cited

PUBLICATIONS

Artistic Brass Cat. H-69, 11/1969, p. 7, Escutcheon H43-142.

Artistic Brass Cat. H-69, 11/1969, p. 7, Bail pull H43-115.

Sear's Cat., Philadelphia Ed., Fall/Winter 1969, p. 1102, handle #1.

Primary Examiner—Wallace R. Burke

Assistant Examiner—B. J. Bullock

Attorney, Agent, or Firm—C. Frederick Leydig

[57] CLAIM

The ornamental design for a bail pull, as shown.

DESCRIPTION

FIG. 1 is a front elevational view of a bail pull incorporating my new design;

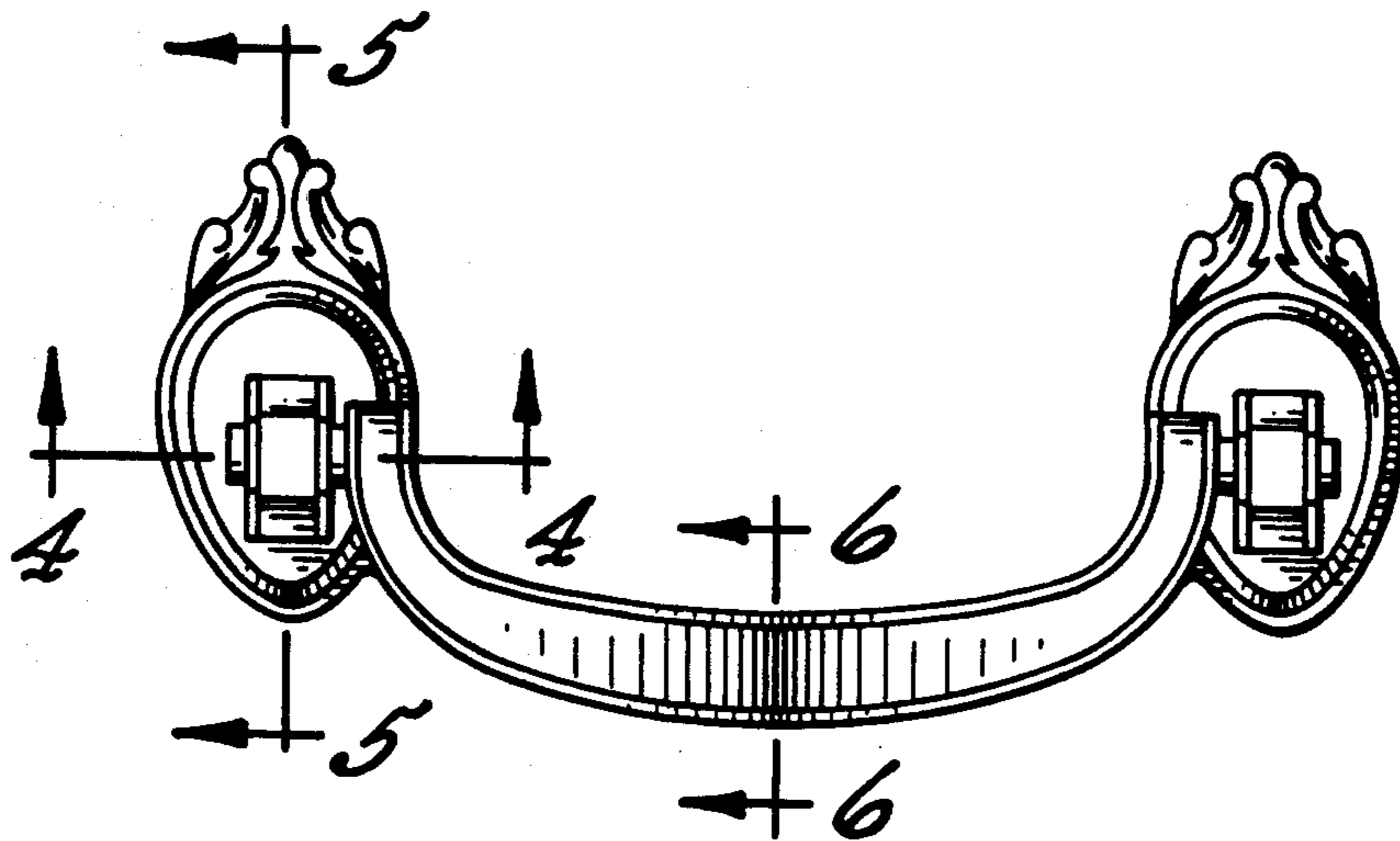
FIG. 2 is a top plan view;

FIG. 3 is a side elevational view taken from the right of FIG. 1;

FIG. 4 is an enlarged sectional view taken along the line 4-4 in FIG. 1.

FIG. 5 is an enlarged sectional view taken along the line 5-5 in FIG. 1.

FIG. 6 is an enlarged sectional view taken along the line 6-6 in FIG. 1.



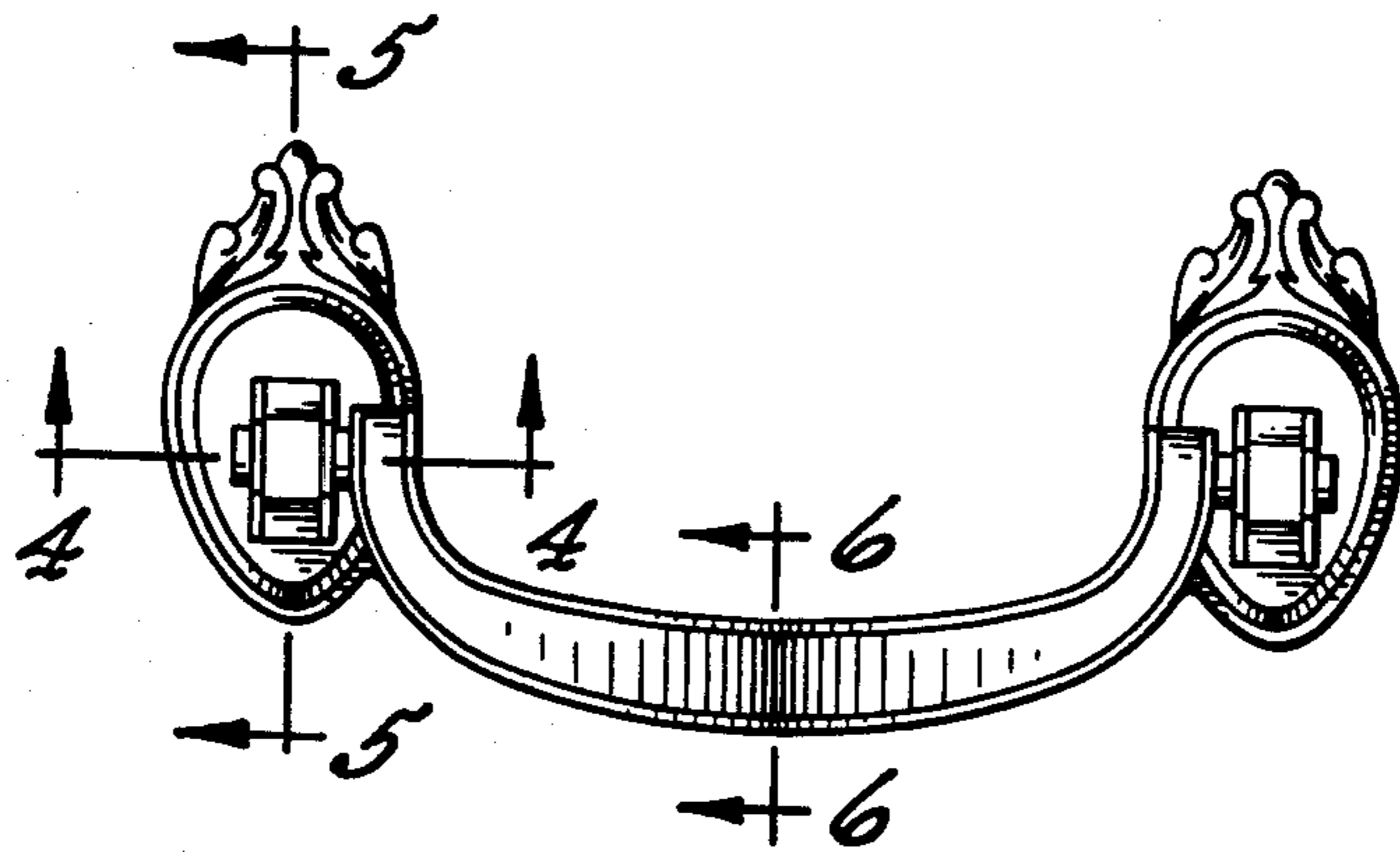


FIG. 1.



FIG. 2.

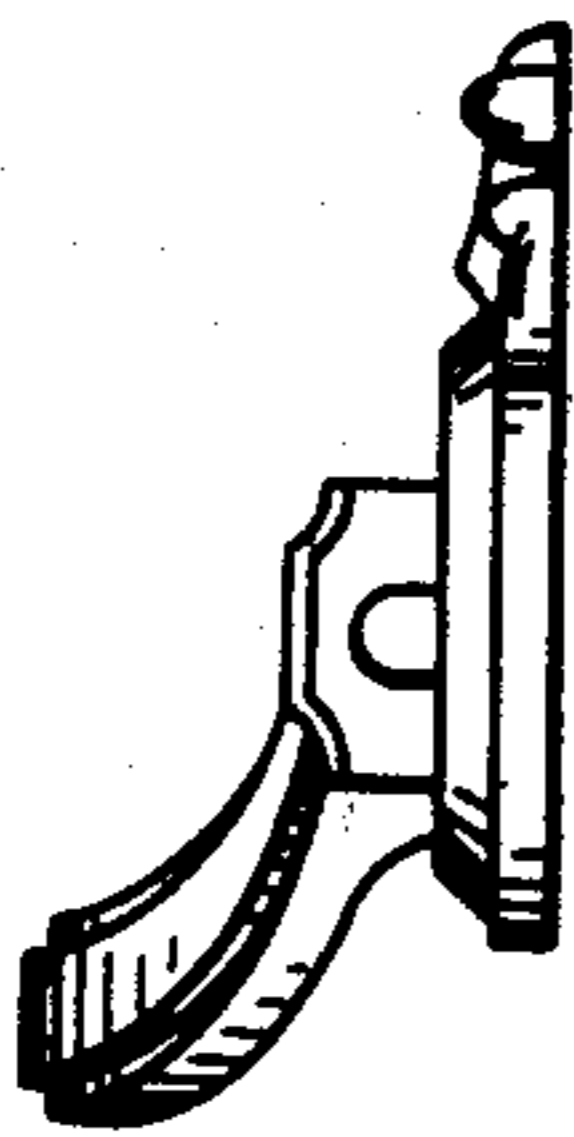


FIG. 3.

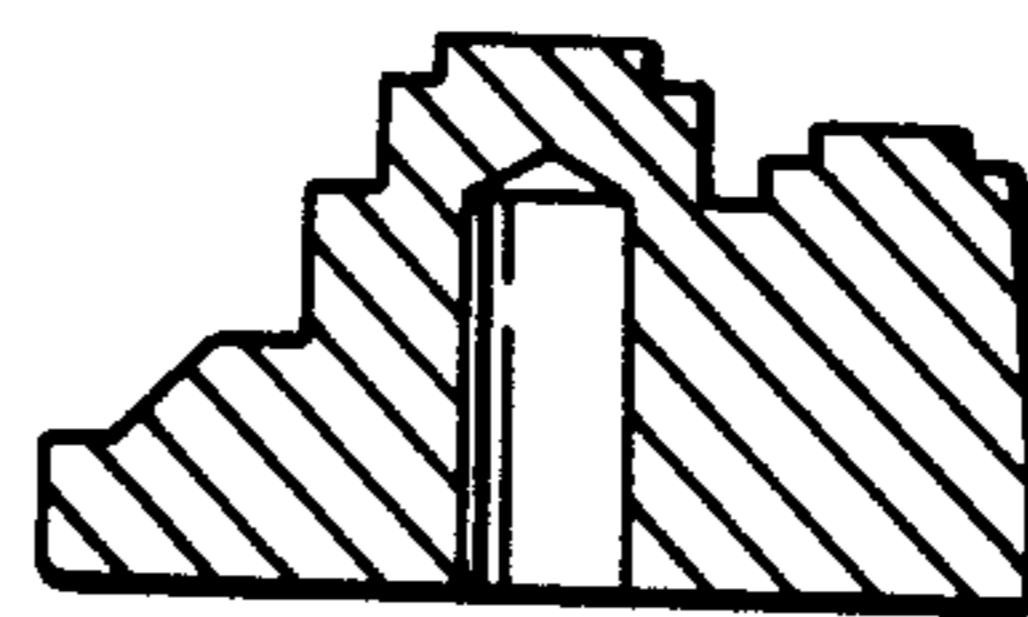


FIG. 4.

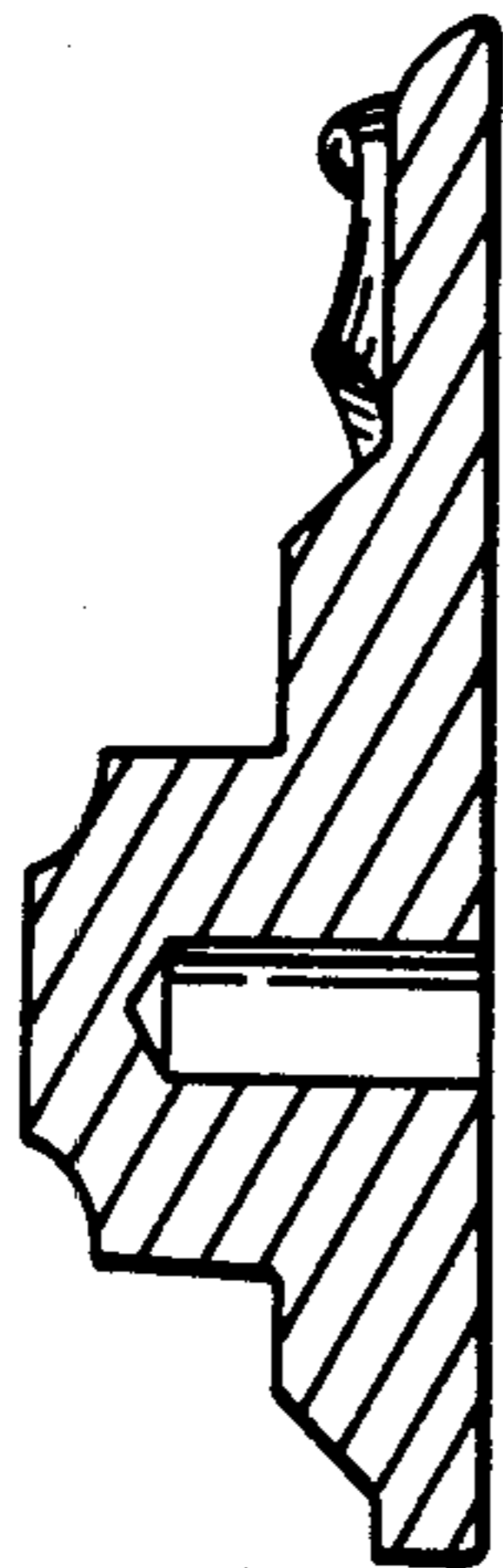


FIG. 5.



FIG. 6.