

[54] COMBINED DOOR PULL AND ESCUTCHEON

[75] Inventor: Russell W. Waldo, St. Paul, Minn.

[73] Assignee: Ideal Security Hardware Corporation, St. Paul, Minn.

[**] Term: 14 Years

[21] Appl. No.: 709,434

[22] Filed: July 28, 1976

[51] Int. Cl. D8-06

[52] U.S. Cl. D8/301

[58] Field of Search D8/300, 302, 304, 306, D8/307, 310, 312, 313, 315-320, 350-353, 368, 378, 301

[56] References Cited

U.S. PATENT DOCUMENTS

D. 186,083 9/1959 Mair D8/310
D. 201,987 8/1965 Webster D8/302

Primary Examiner—Wallace R. Burke
Assistant Examiner—B. J. Bullock
Attorney, Agent, or Firm—Ralph F. Merchant

[57] CLAIM

The ornamental design for a combined door pull and escutcheon, substantially as shown and described.

DESCRIPTION

FIG. 1 is a perspective view of a combined door pull and escutcheon showing my new design;
FIG. 2 is a top plan view thereof;
FIG. 3 is a bottom plan view thereof;
FIG. 4 is a side elevational view taken from the right of FIG. 1, the side opposite being a mirror image thereof;
FIG. 5 is an end elevational view taken from the left of FIG. 4;
FIG. 6 is an end elevational view taken from the right of FIG. 4.

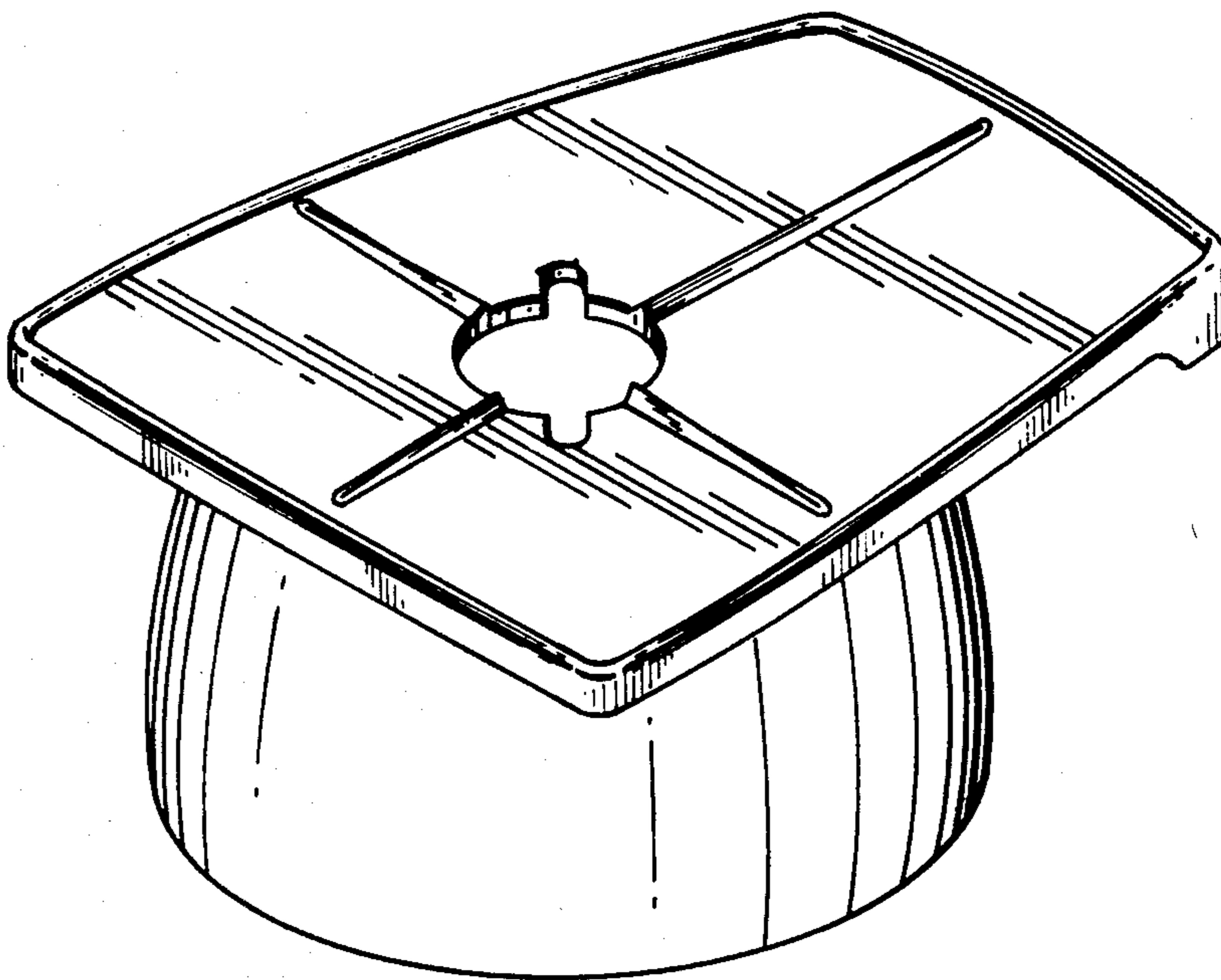


FIG. 1

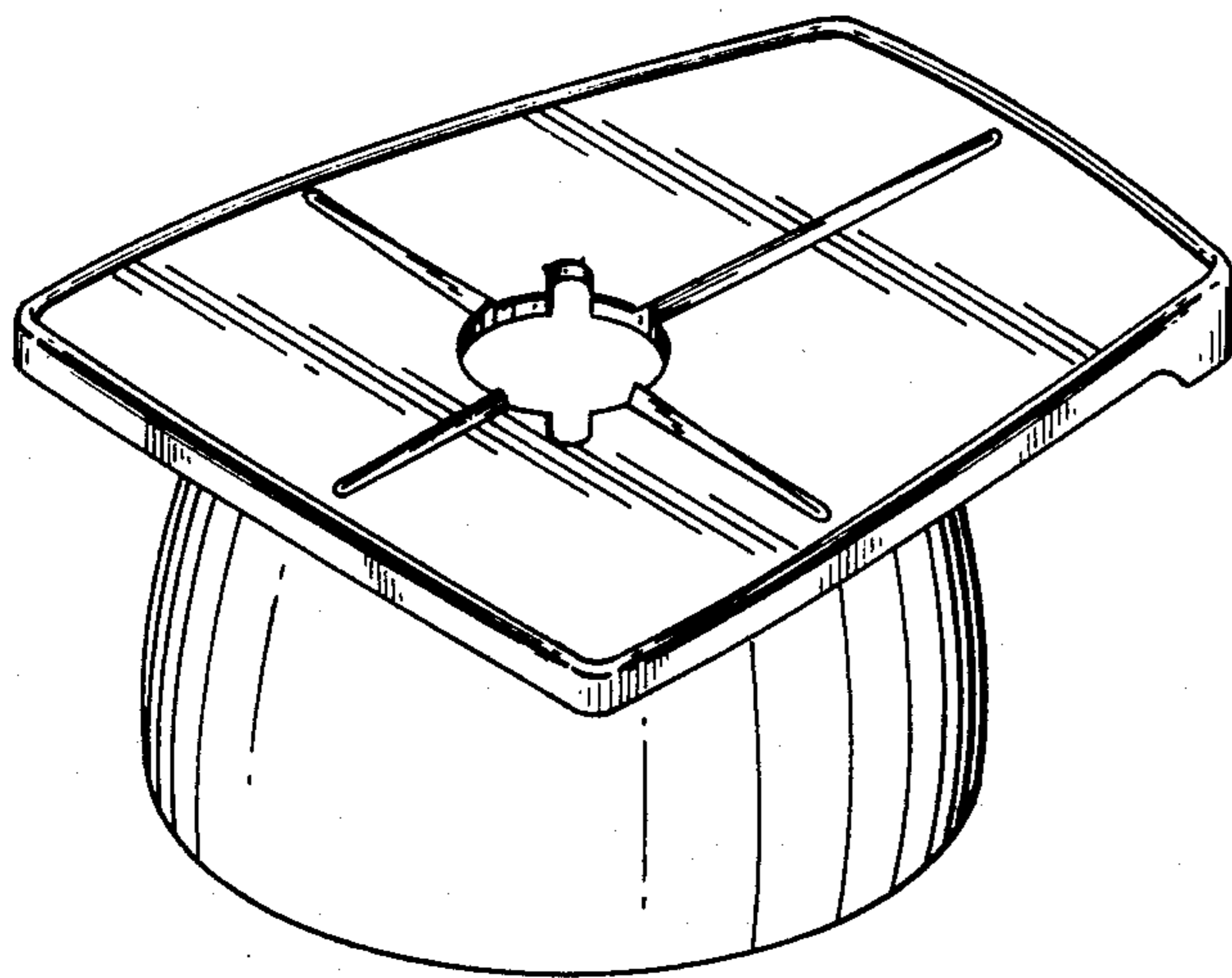


FIG. 2

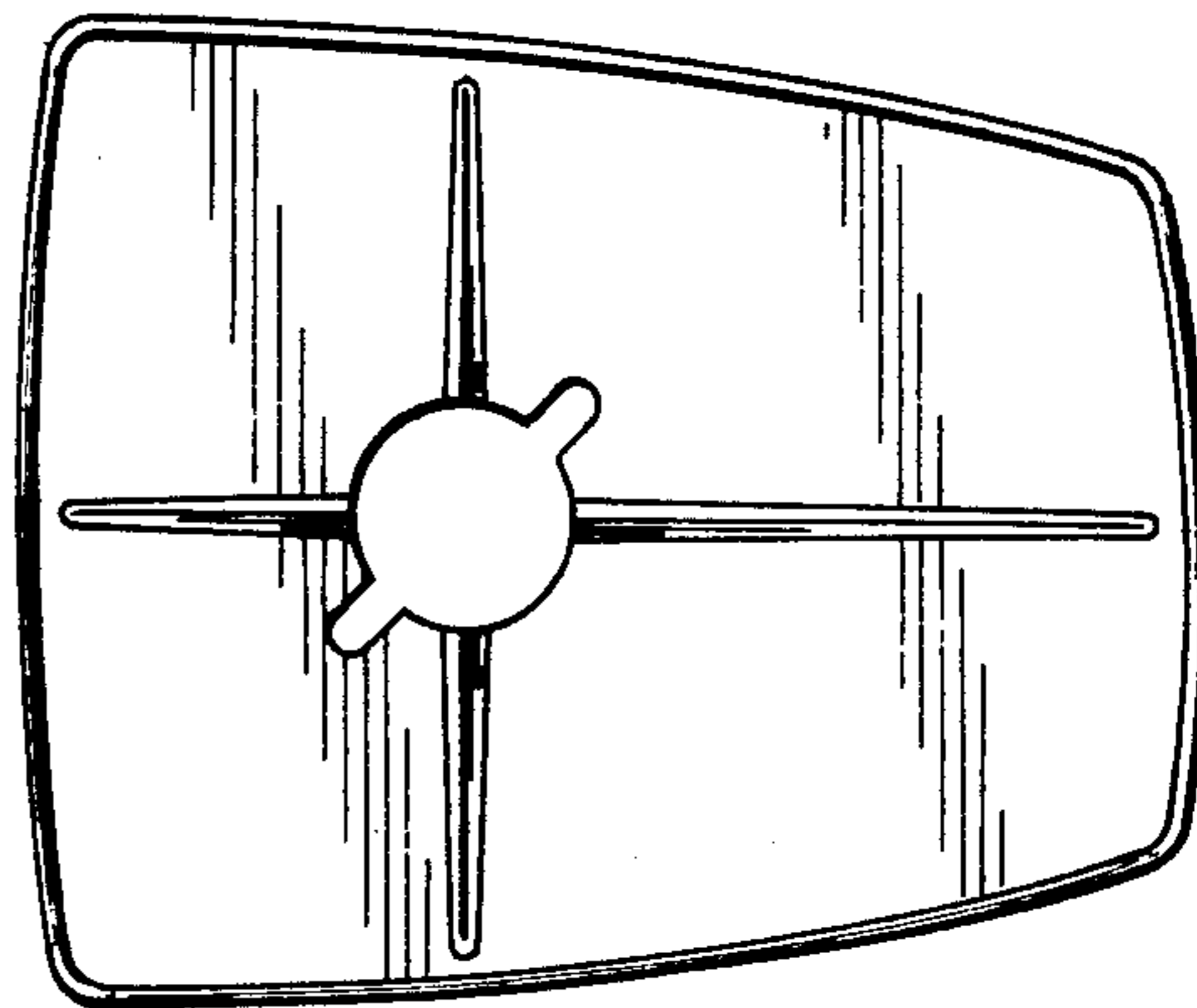


FIG. 3

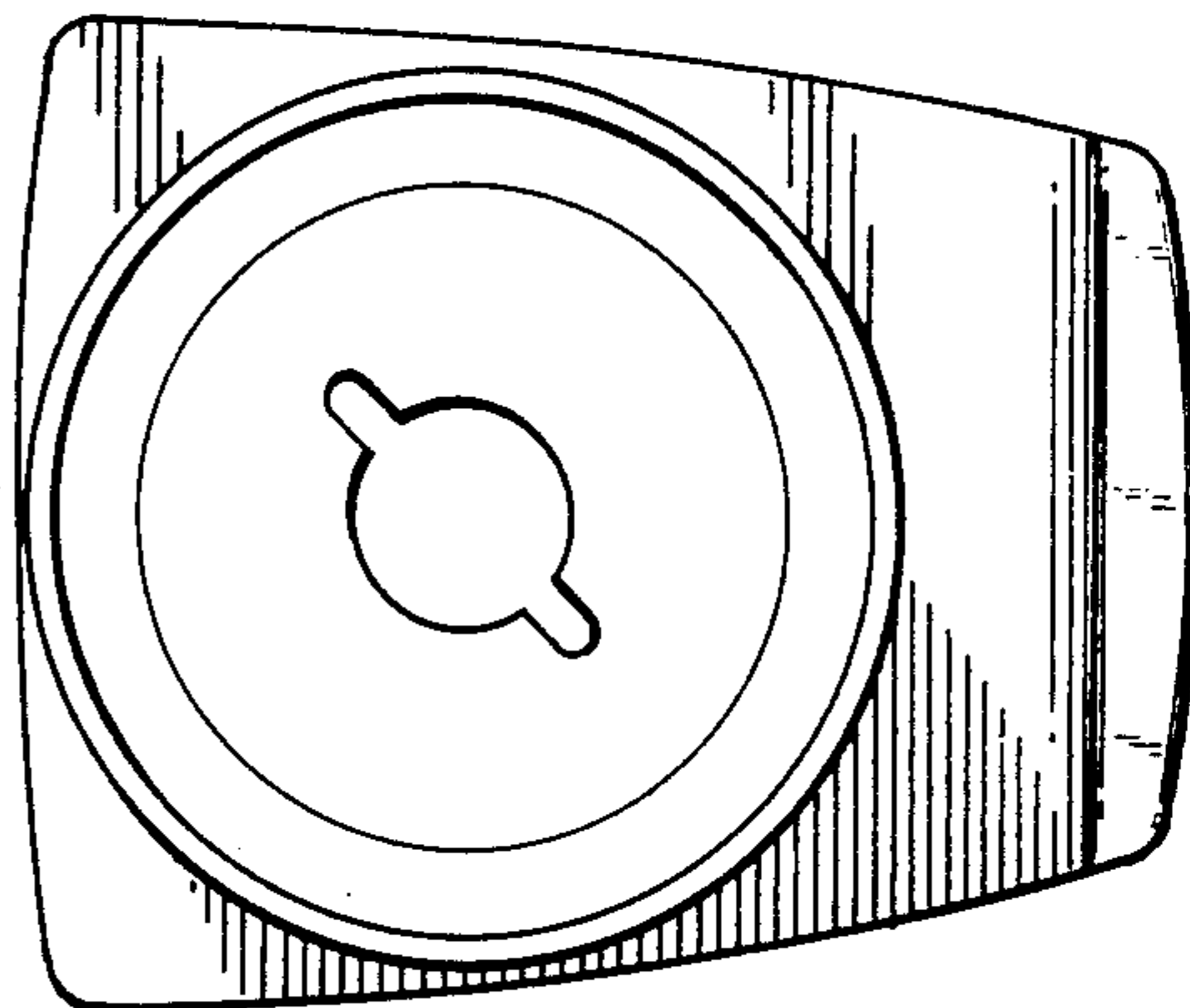


FIG. 4

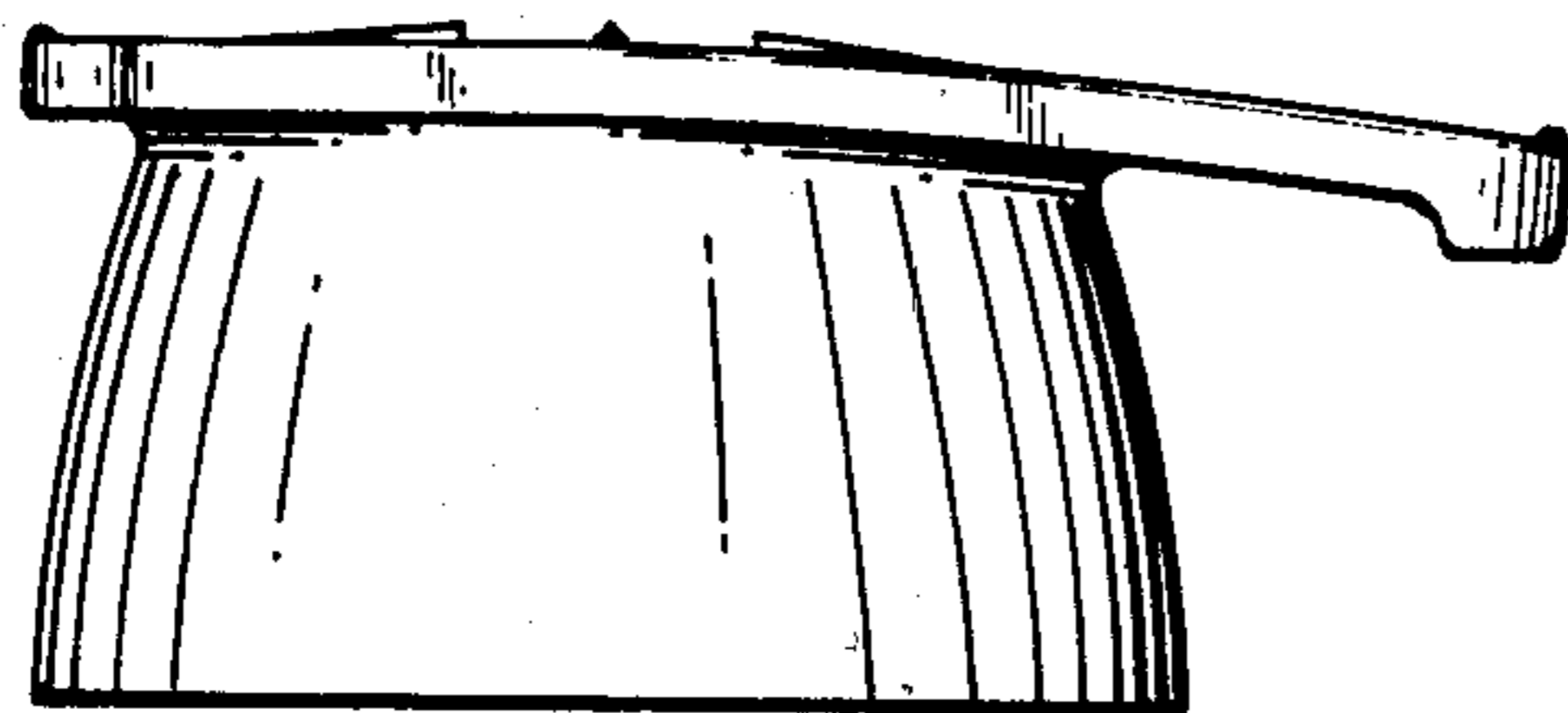


FIG. 5

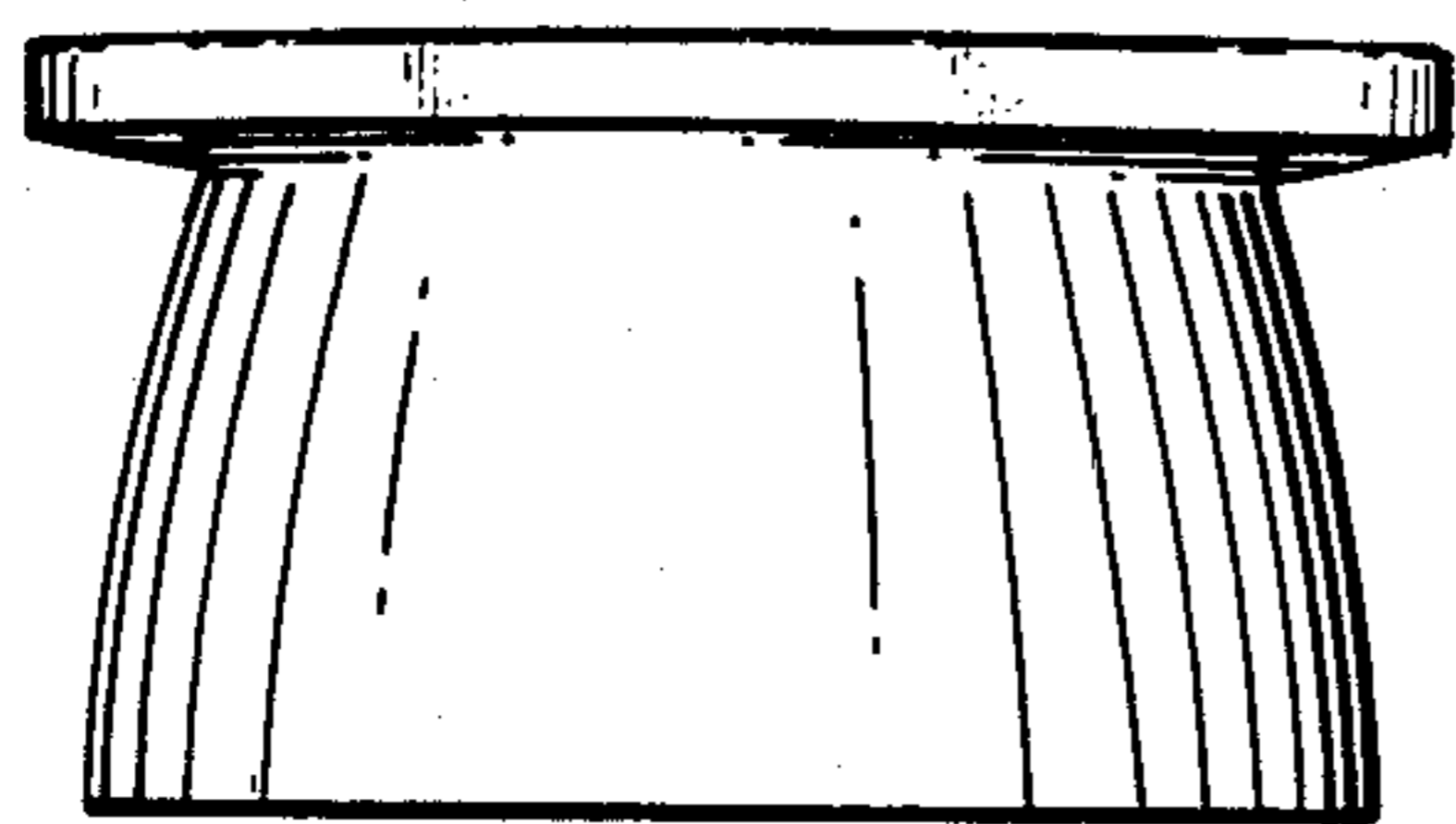


FIG. 6

