

United States Patent [19]

Smyth et al.

[11] **Des. 246,756**

[45] **** Dec. 27, 1977**

- [54] **SAW SHARPENER OR THE LIKE**
- [75] Inventors: **Norman Linfoot Smyth; Roy George Hodgson**, both of Sheffield, England
- [73] Assignee: **James Neill Holdings Limited**, United Kingdom
- [**] Term: **14 Years**
- [21] Appl. No.: **724,368**
- [22] Filed: **Sept. 17, 1976**
- [30] **Foreign Application Priority Data**
Apr. 20, 1976 United Kingdom 975350/76
- [51] Int. Cl. **D8—05**
- [52] U.S. Cl. **D8/91**
- [58] Field of Search **D8/91; 76/36**
- [56] **References Cited**
U.S. PATENT DOCUMENTS
D. 237,248 10/1975 Sentore D8/91

2,817,252 12/1957 Simmons 76/36
3,327,567 6/1967 Penberthy 76/36

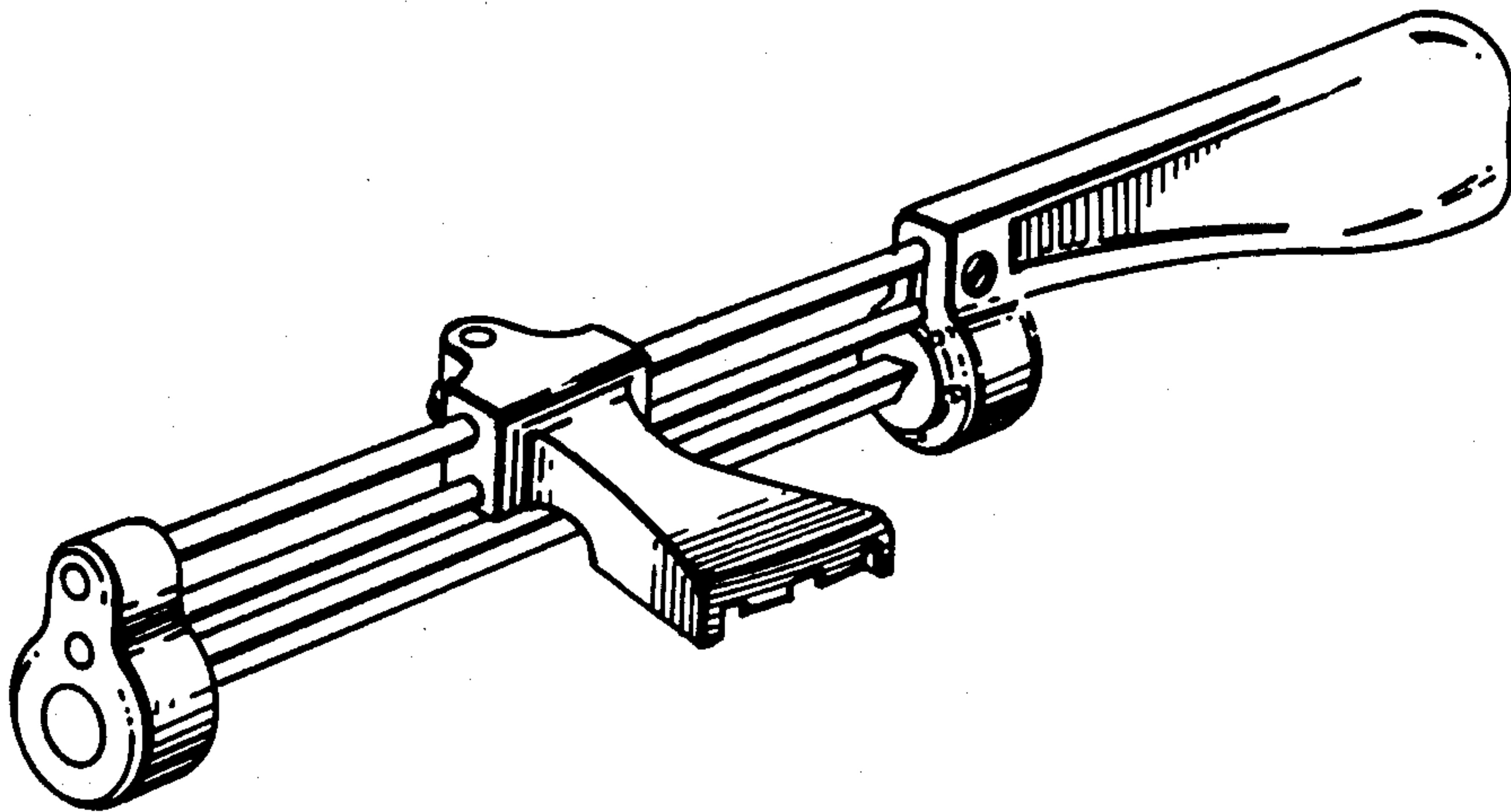
Primary Examiner—Alan P. Douglas
Attorney, Agent, or Firm—Allan M. Löwe

[57] **CLAIM**

The ornamental design for a saw sharpener or the like, as shown and described.

DESCRIPTION

FIG. 1 is a perspective view of the saw sharpener or the like showing our new design;
FIG. 2 is a side view of the saw sharpener of FIG. 1;
FIG. 3 is a top view of the saw sharpener of FIG. 1;
FIG. 4 is an opposite side view of the saw sharpener of FIG. 1;
FIG. 5 is a cross-sectional view of the saw sharpener of FIG. 2 viewed along the line 5—5;
FIG. 6 is a cross-sectional view of the saw sharpener of FIG. 2 taken along the line 6—6; and
FIG. 7 is a cross-sectional view of the saw sharpener of FIG. 2 taken along the line 7—7.



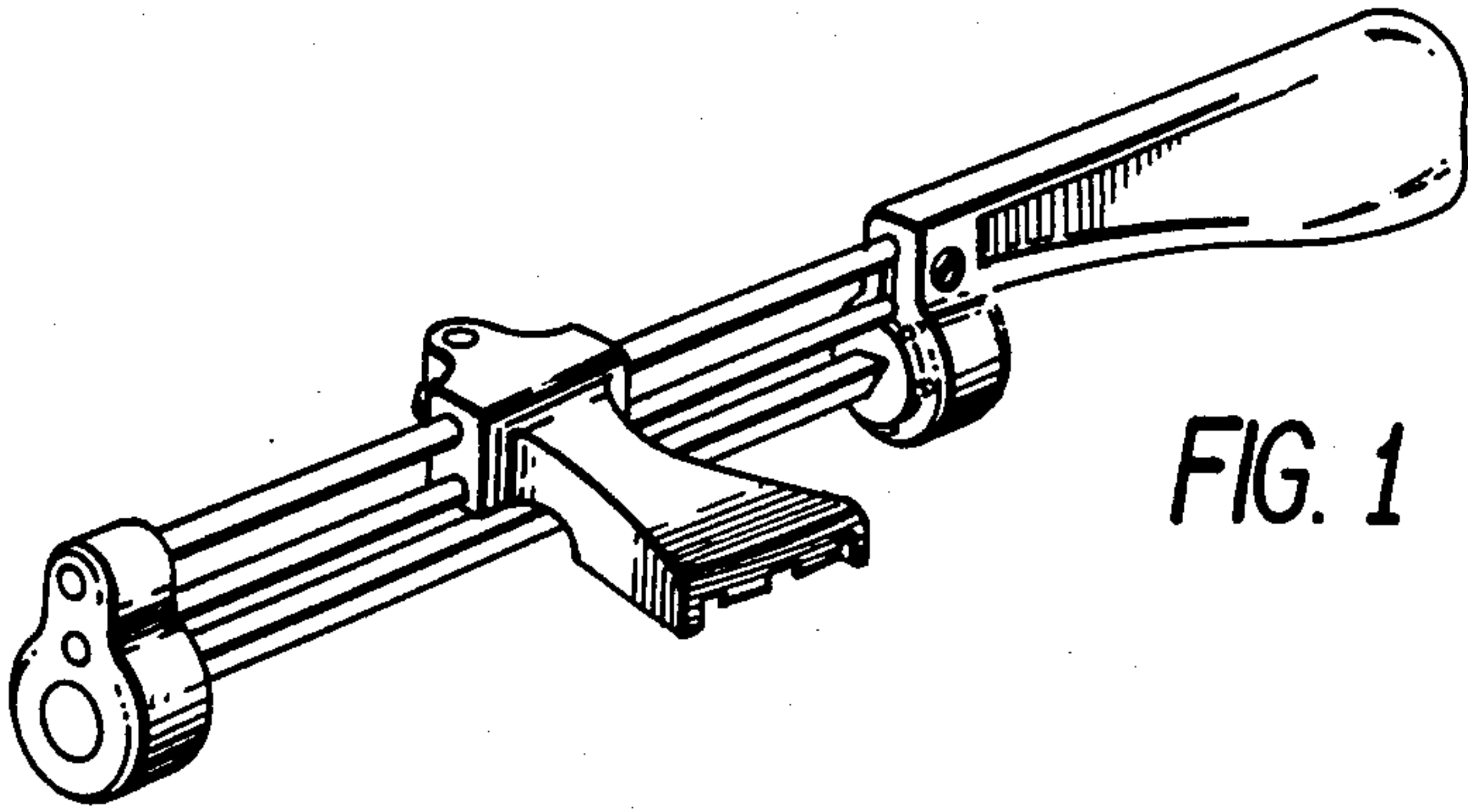


FIG. 1

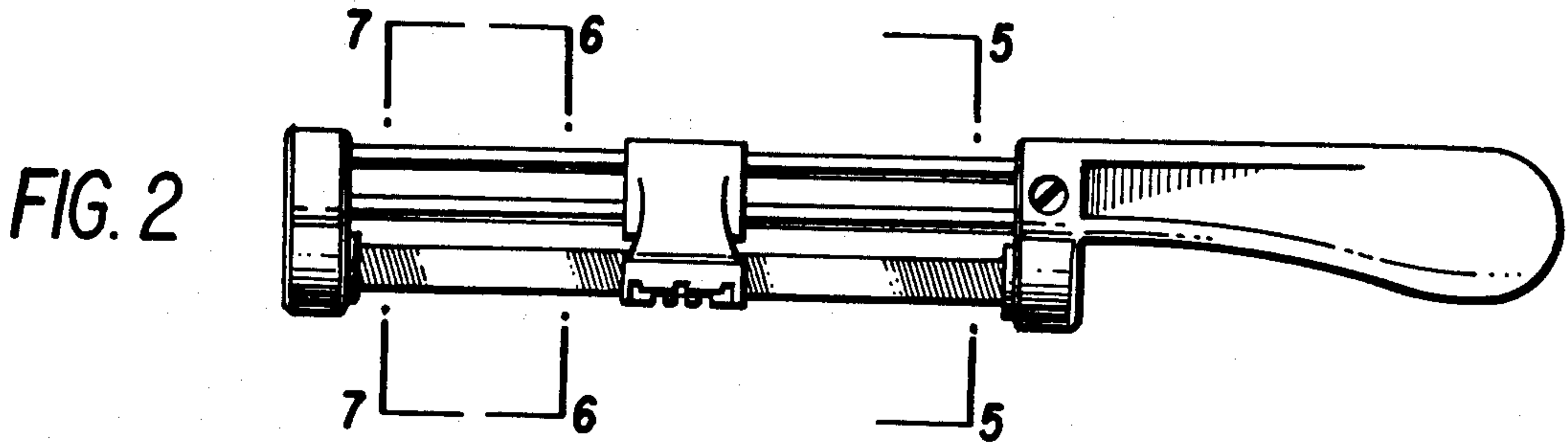


FIG. 2

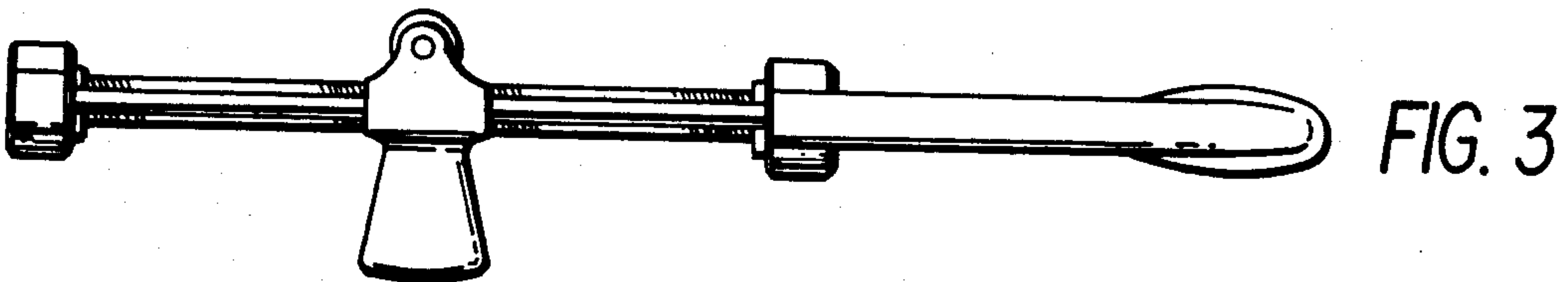


FIG. 3

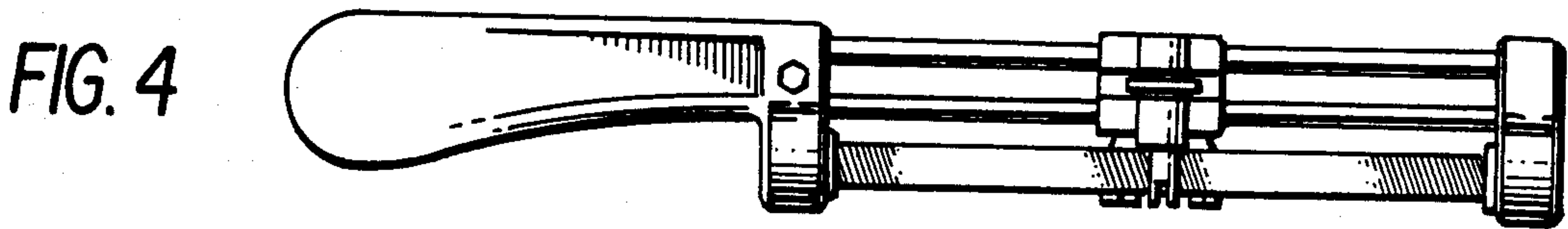


FIG. 4

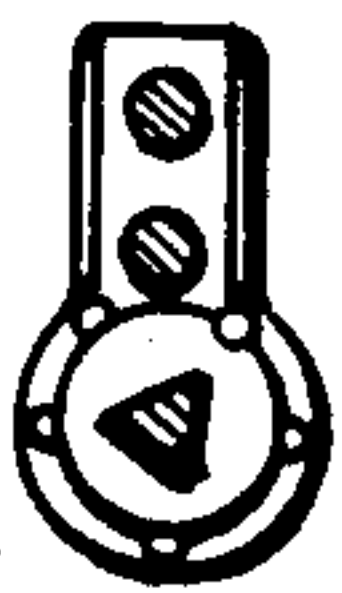


FIG. 5

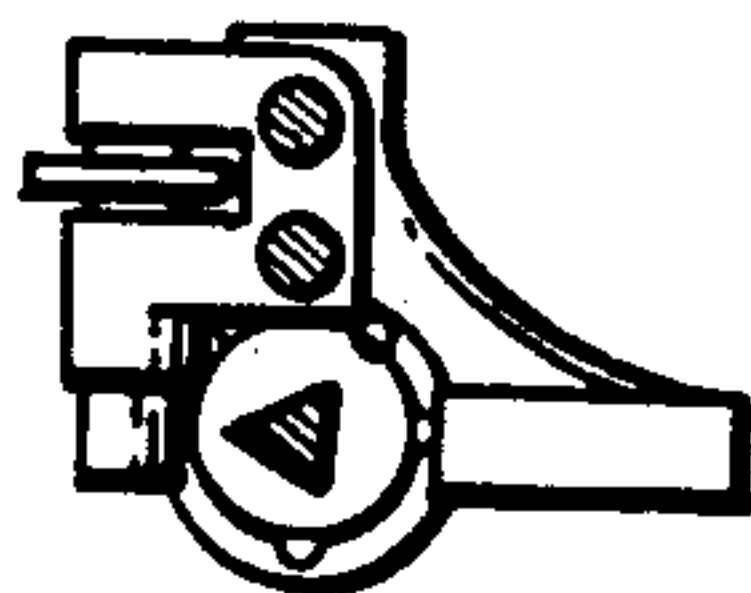


FIG. 6

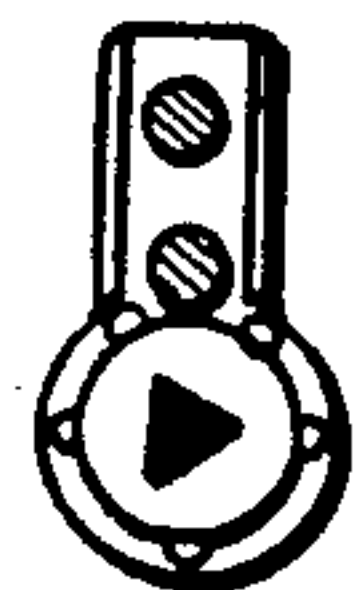


FIG. 7