

[54] VACUUM CLEANER

[75] Inventors: Kiyoshi Fukuda, Fukuoka; Daisuke Kajiwara, Ohnojo, both of Japan

[73] Assignee: Matsushita Electric Industrial Co., Ltd., Kadoma, Japan

[**] Term: 14 Years

[21] Appl. No.: 706,407

[22] Filed: July 19, 1976

[51] Int. Cl. D7-05; D15-05

[52] U.S. Cl. D7/164

[58] Field of Search D7/161, 164; D15/55; 15/300 R, 319, 323, 324, 325, 326, 327 R, 327 D, 327 E, 344, 347, 354, 363, 415, 416, 417, 418, 419, 420, 421, 422

[56]

References Cited

U.S. PATENT DOCUMENTS

| | | | |
|------------|---------|----------------|--------|
| D. 208,627 | 9/1967 | Bonzer | D15/55 |
| D. 212,829 | 11/1968 | Kraines | D7/164 |
| D. 214,339 | 6/1969 | Fossella | D7/164 |

Primary Examiner—James R. Largen
Assistant Examiner—Catherine Kemper
Attorney, Agent, or Firm—Richard C. Sughrue

[57]

CLAIM

The ornamental design for a vacuum cleaner, as shown.

DESCRIPTION

FIG. 1 is a top plan view of a vacuum cleaner showing our new design;
FIG. 2 is a top, left side and front perspective view thereof; and
FIG. 3 is a bottom, rear and right side perspective view thereof.

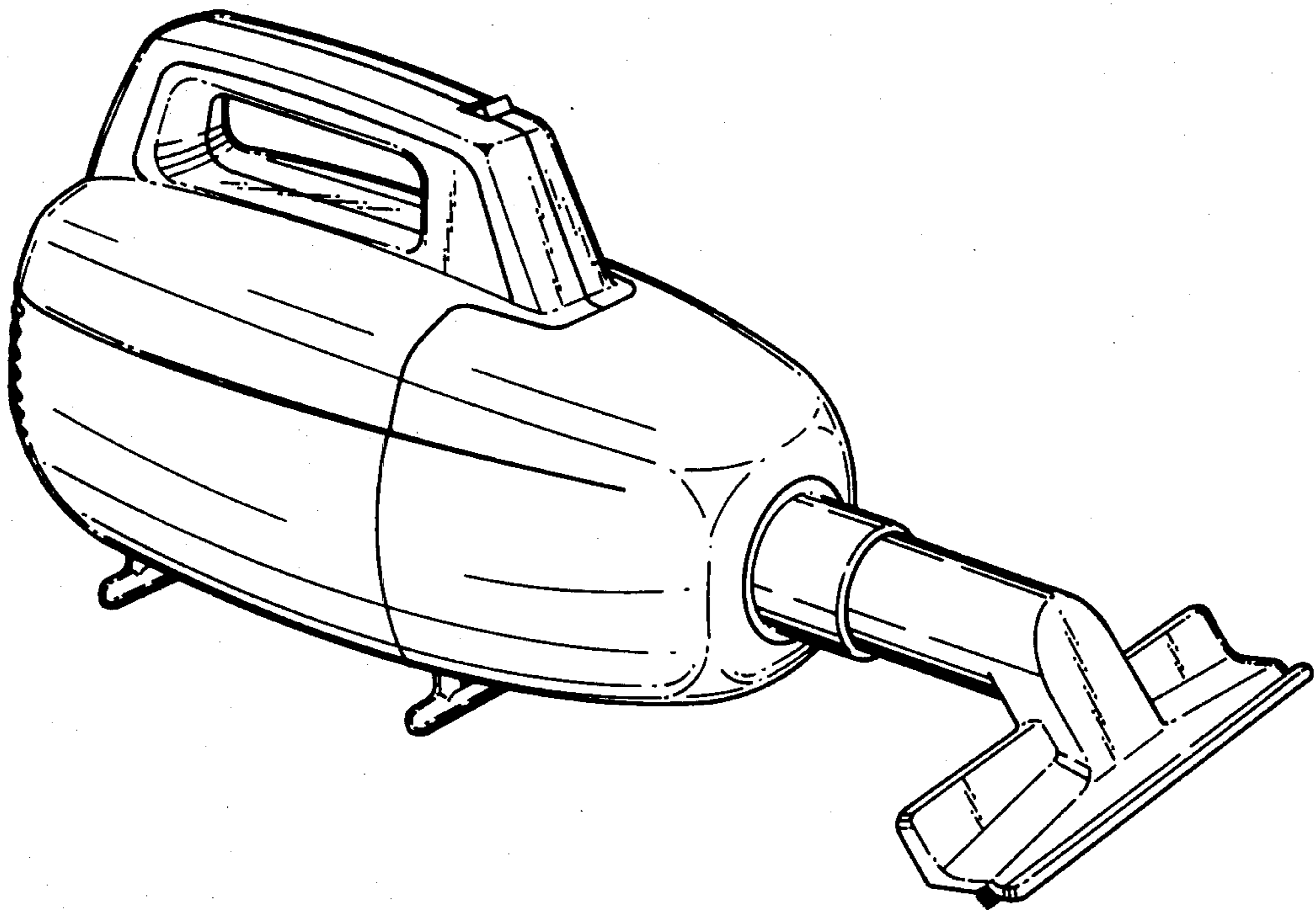


Fig. 1

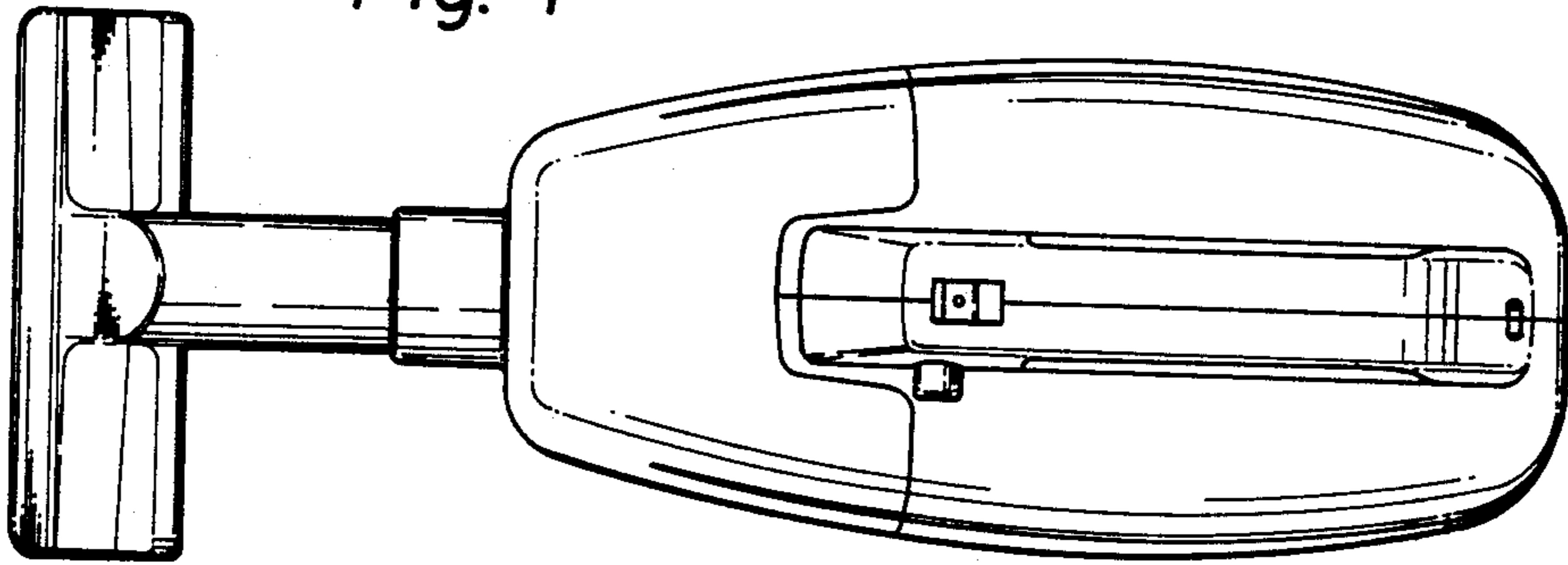


Fig. 2

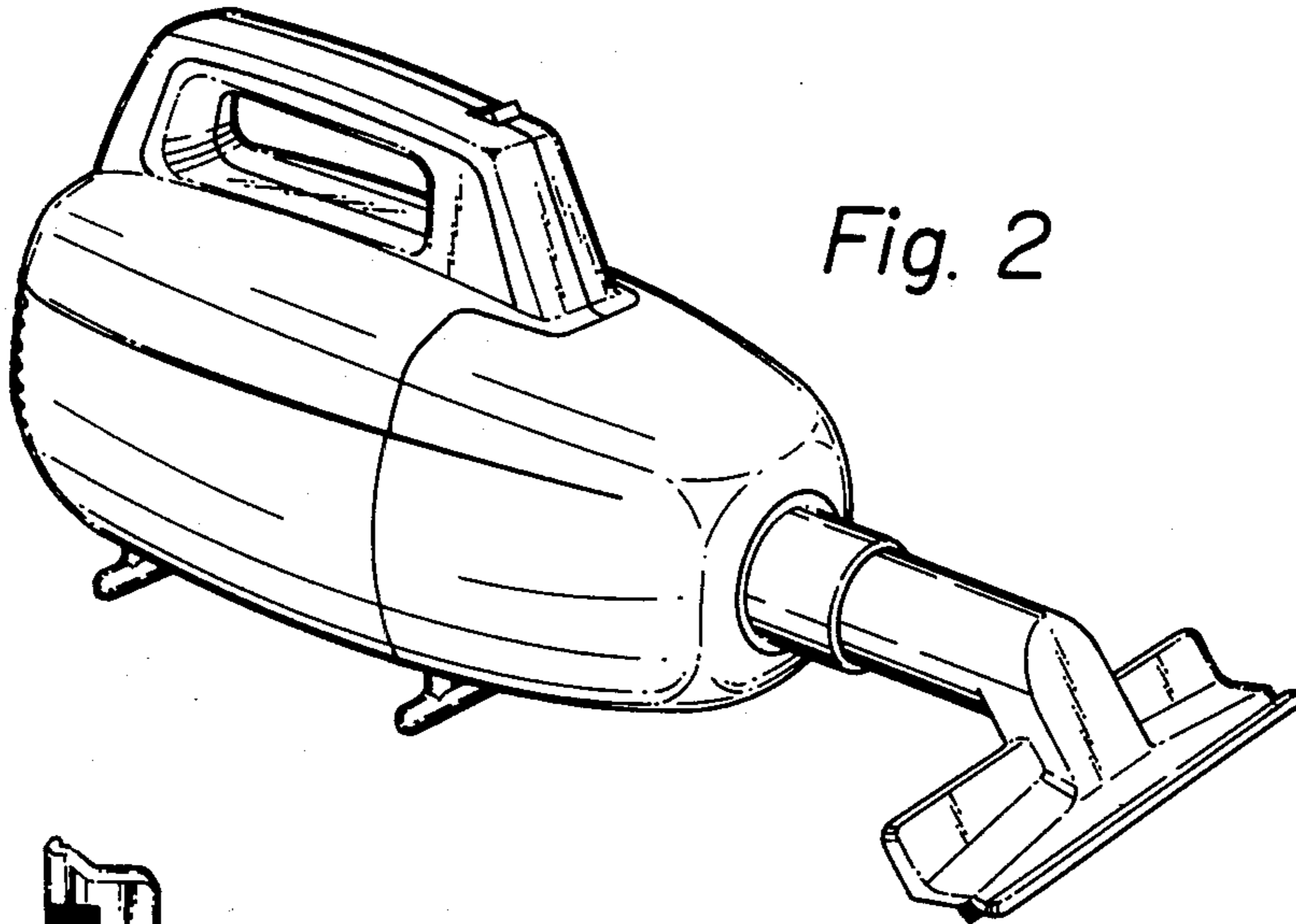


Fig. 3

