

[54] KITE

[76] Inventors: **Bernard R. Barrett**, 308 W. Graham St., Lombard, Ill. 60148; **Alfred D. Duncan**, 792 Cambridge, Elmhurst, Ill. 60126

[\*\*] Term: **14 Years**

[21] Appl. No.: **635,445**

[22] Filed: **Nov. 26, 1975**

[51] Int. Cl. .... **D21-01**

[52] U.S. Cl. .... **D34/15 AF**

[58] Field of Search ..... **D12/71, 73, 77, 78, D12/80; D34/15 HH, 15 AF, 15 AS, 15 HS; 244/153 R, 153 A, 154, 155 R, 155 A; 46/76 R, 76 A, 77, 78, 79, 80, 81, 82, 74 B, 74 D, 89**

[56] **References Cited**

**U.S. PATENT DOCUMENTS**

D. 73,694 10/1927 Gommels ..... D34/15 HH  
1,322,225 11/1919 Bradbury ..... 46/78

**FOREIGN PATENT DOCUMENTS**

153,522 3/1932 Switzerland ..... D34/15 AF

**OTHER PUBLICATIONS**

Toys, 1-1973, p. 43, balsa gliders.

*Primary Examiner*—Bruce W. Dunkins

*Assistant Examiner*—C. A. Rademaker

*Attorney, Agent, or Firm*—James D. Hall

[57] **CLAIM**

The ornamental design for a kite, as shown.

**DESCRIPTION**

FIG. 1 is a rear perspective view of a kite showing our new design;

FIG. 2 is a side elevational view thereof;

FIG. 3 is a front elevational view thereof; and

FIG. 4 is a top plan view thereof.

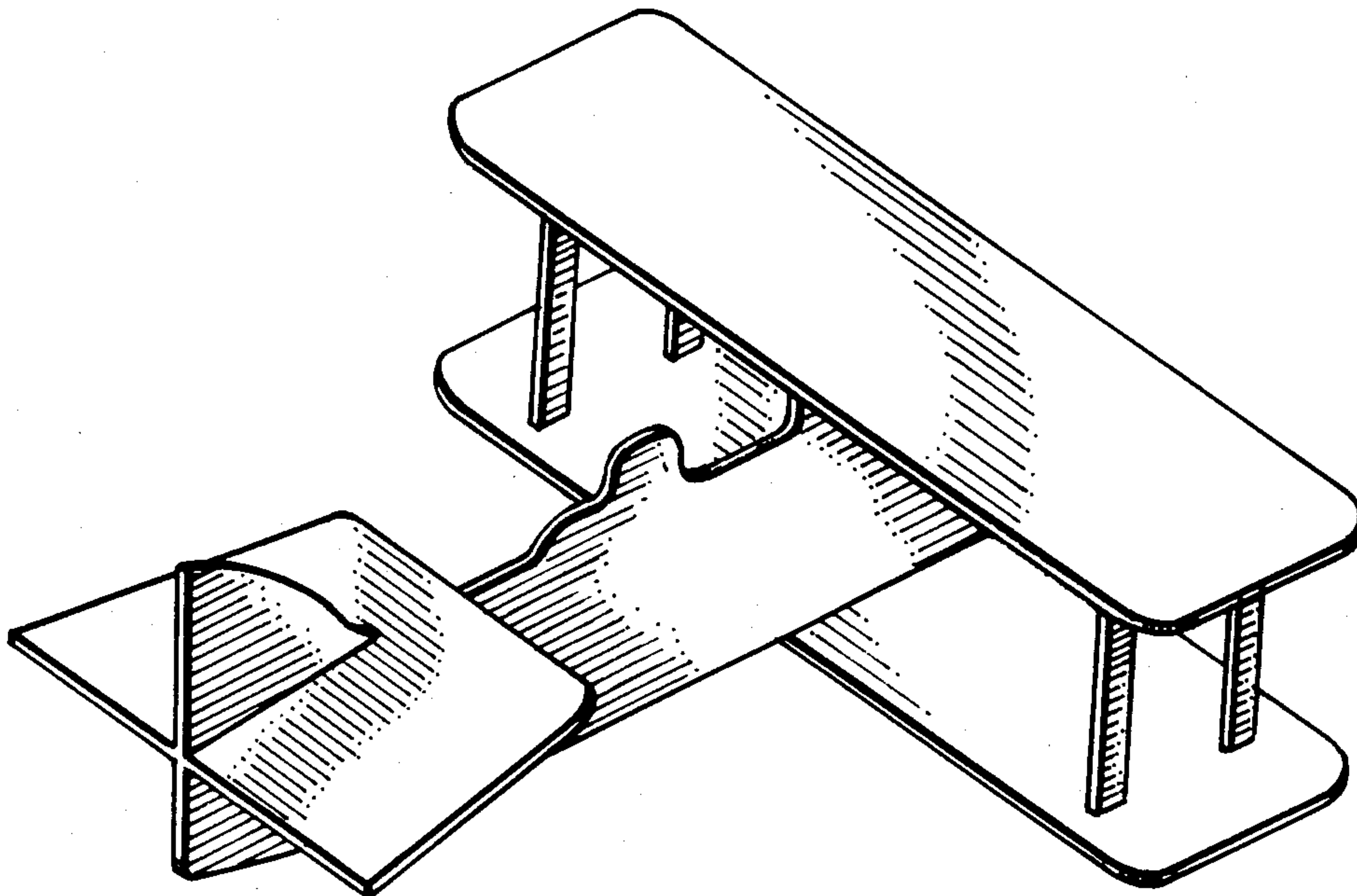


Fig. 1

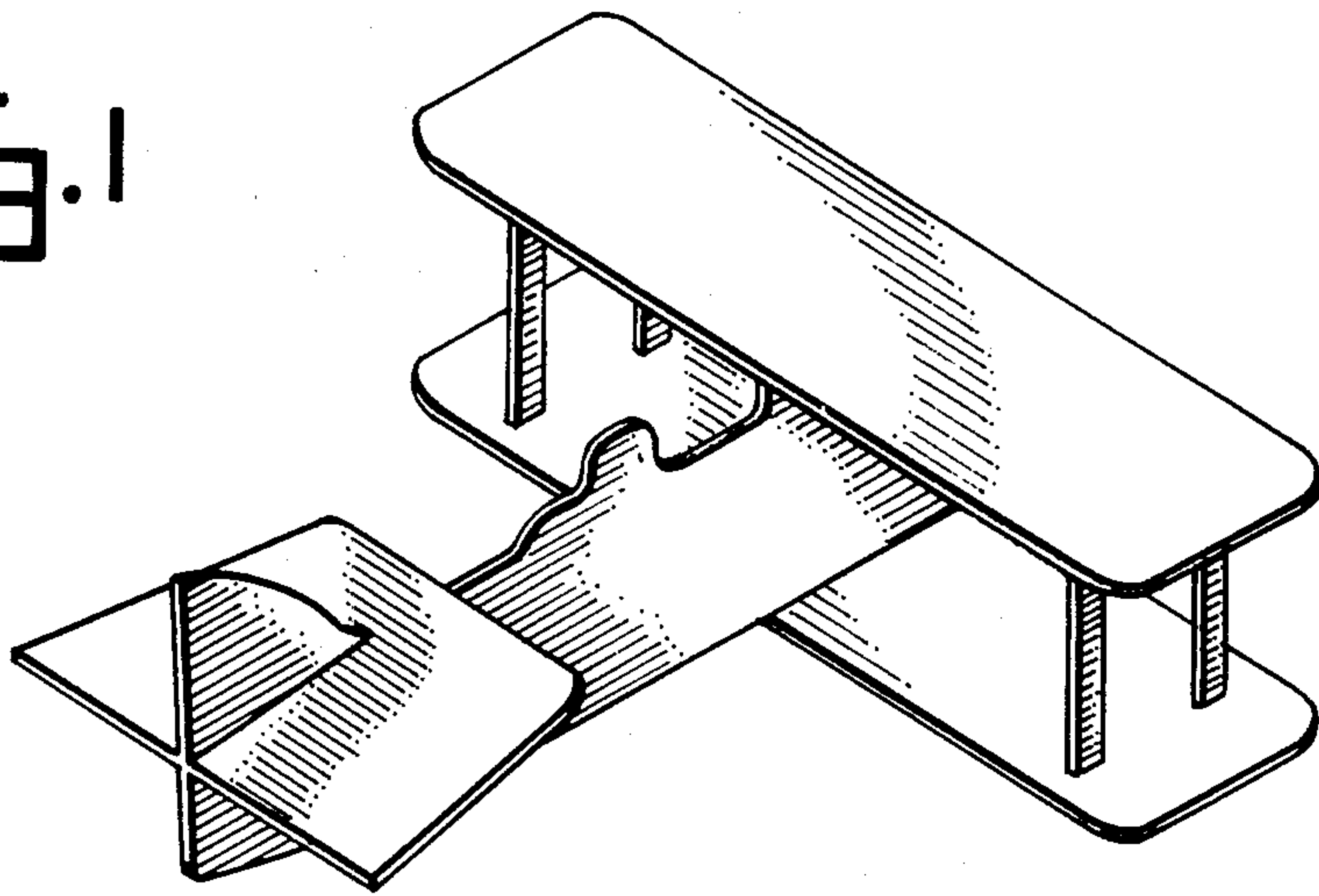


Fig. 2

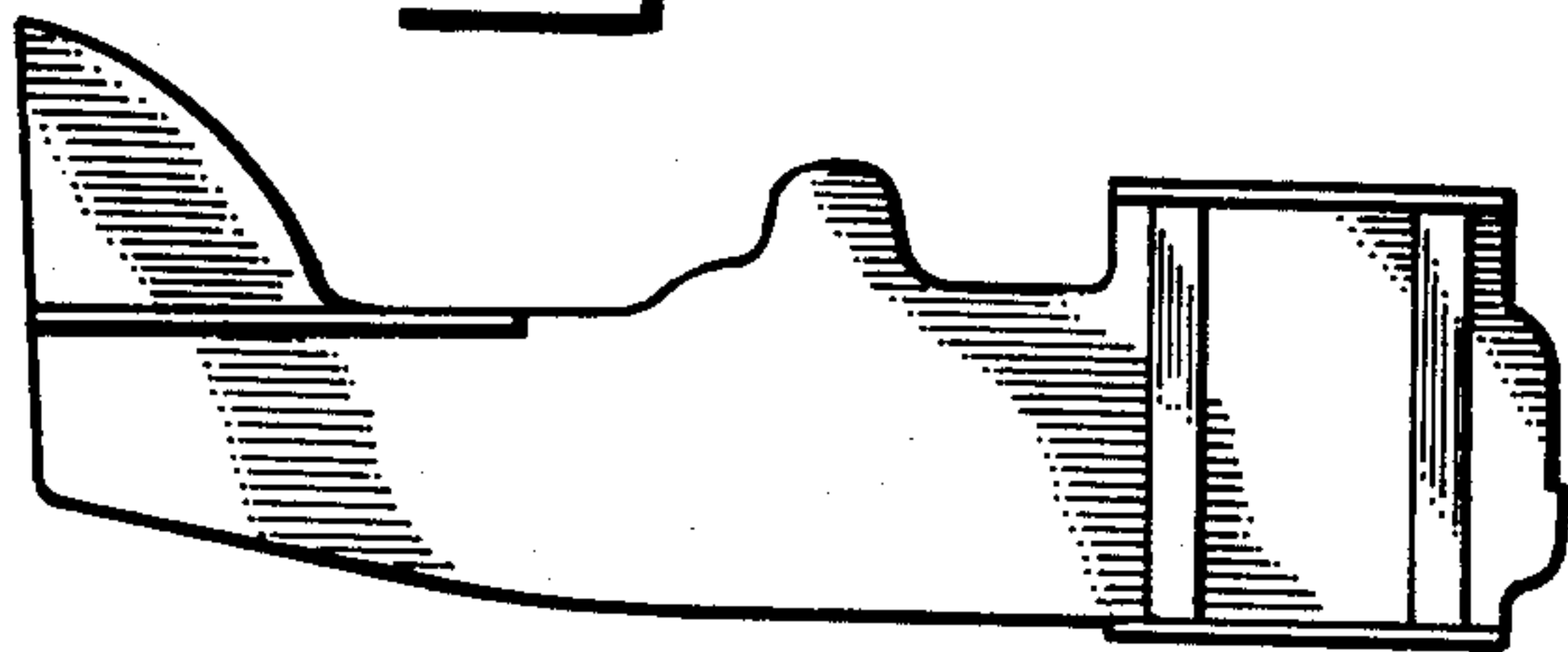


Fig. 3

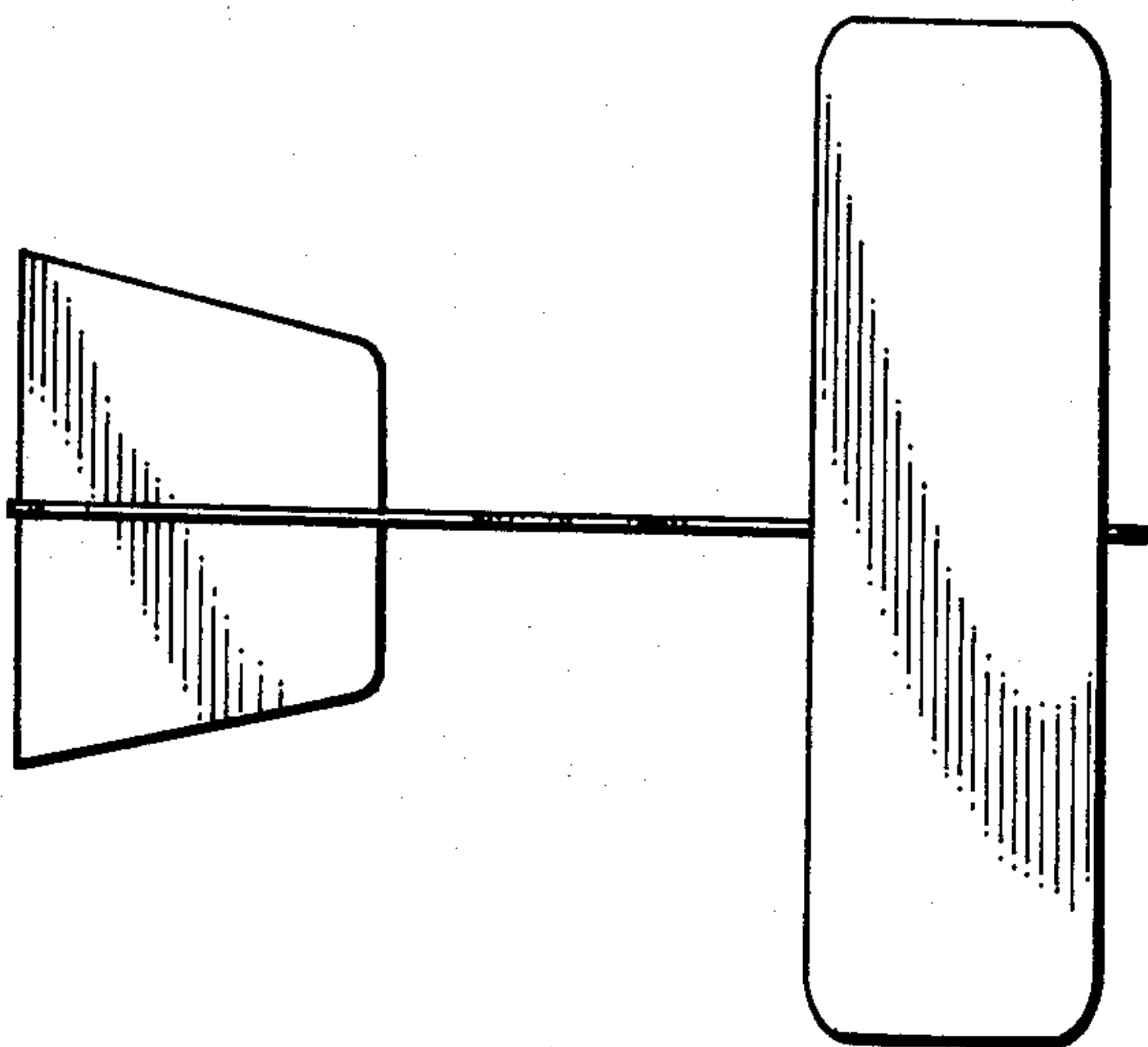
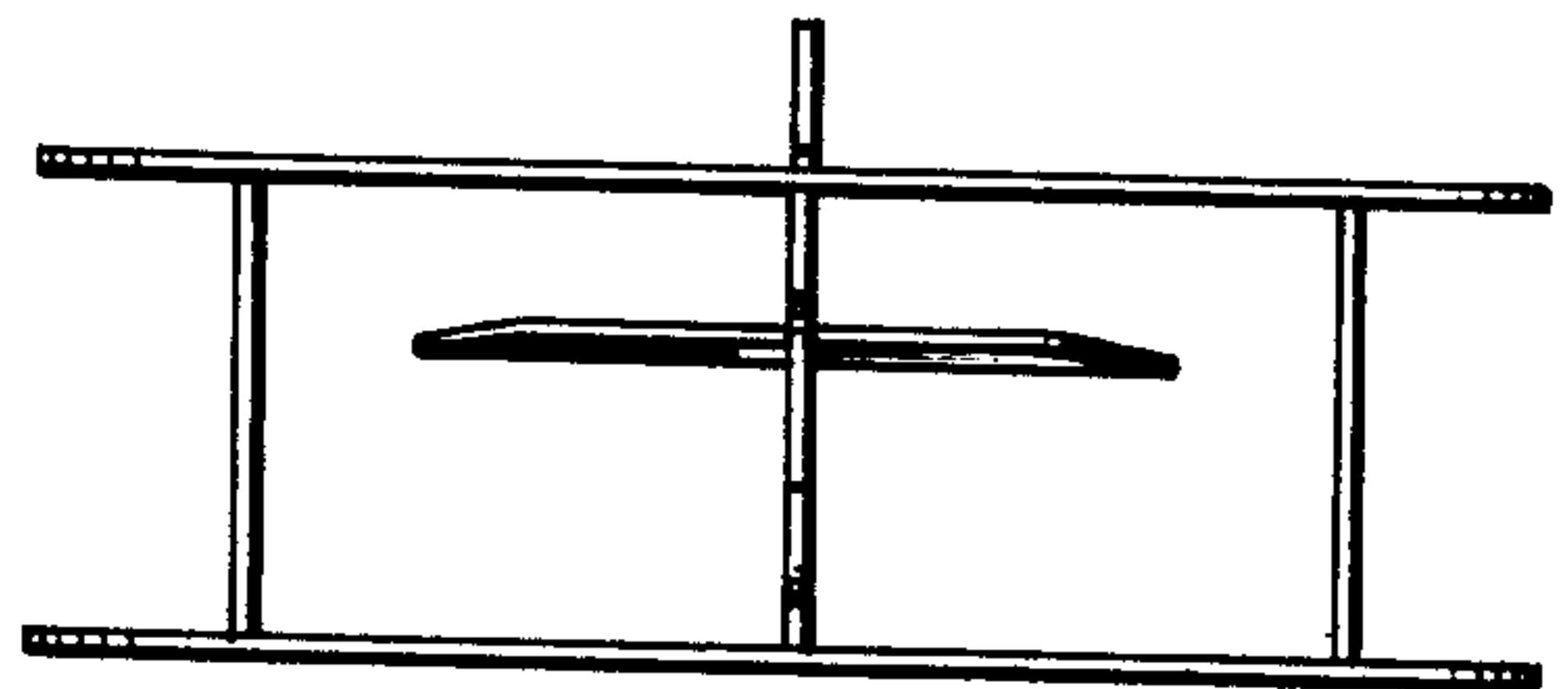


Fig. 4