

[54] SWIMMING EXERCISE AND THERAPEUTIC POOL

[76] Inventor: Robert S. Wormser, Rte. 10, Box 50, Ocala, Fla. 32670

[**] Term: 14 Years

[21] Appl. No.: 642,450

[22] Filed: Dec. 19, 1975

[51] Int. Cl. D24—01; D23—02; D25—99

[52] U.S. Cl. D24/38

[58] Field of Search 4/173, 178, 180, 172, 4/172.19; 128/66, 366; D23/55; D83/1 C; D25/2; D24/38

[56] References Cited

U.S. PATENT DOCUMENTS

D. 226,405	2/1973	Jacuzzi et al.	D83/1 C
D. 237,709	11/1975	Jacuzzi et al.	D83/1 C
3,065,746	11/1962	Gregory	4/180 X
3,548,815	12/1970	Everston	4/178 X
3,688,775	9/1972	Raymann	128/366

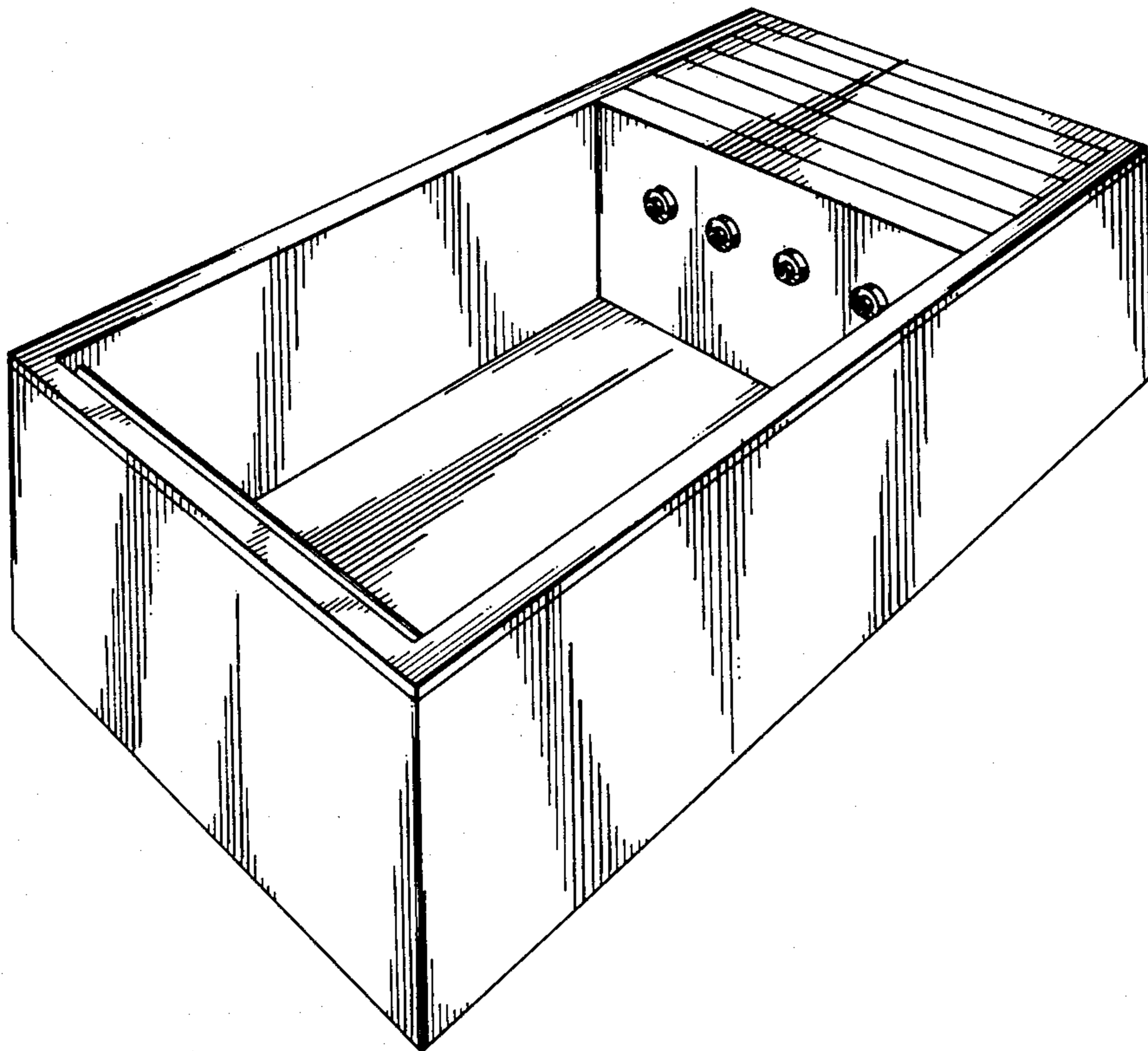
Primary Examiner—Bernard Ansher
Attorney, Agent, or Firm—Townsend F. Beaman

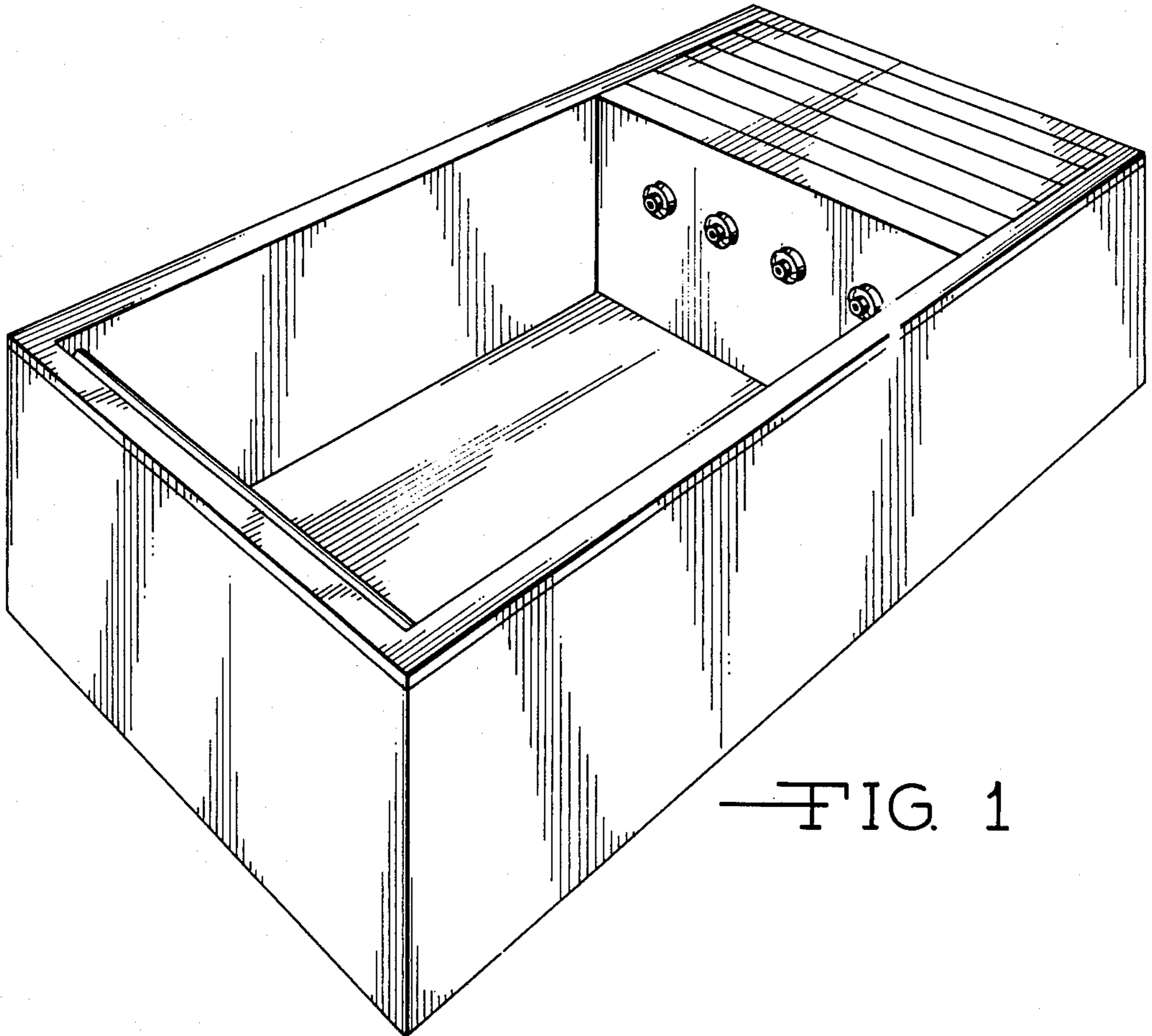
[57] CLAIM

The ornamental design for a swimming exercise and therapeutic pool, substantially as shown and described.

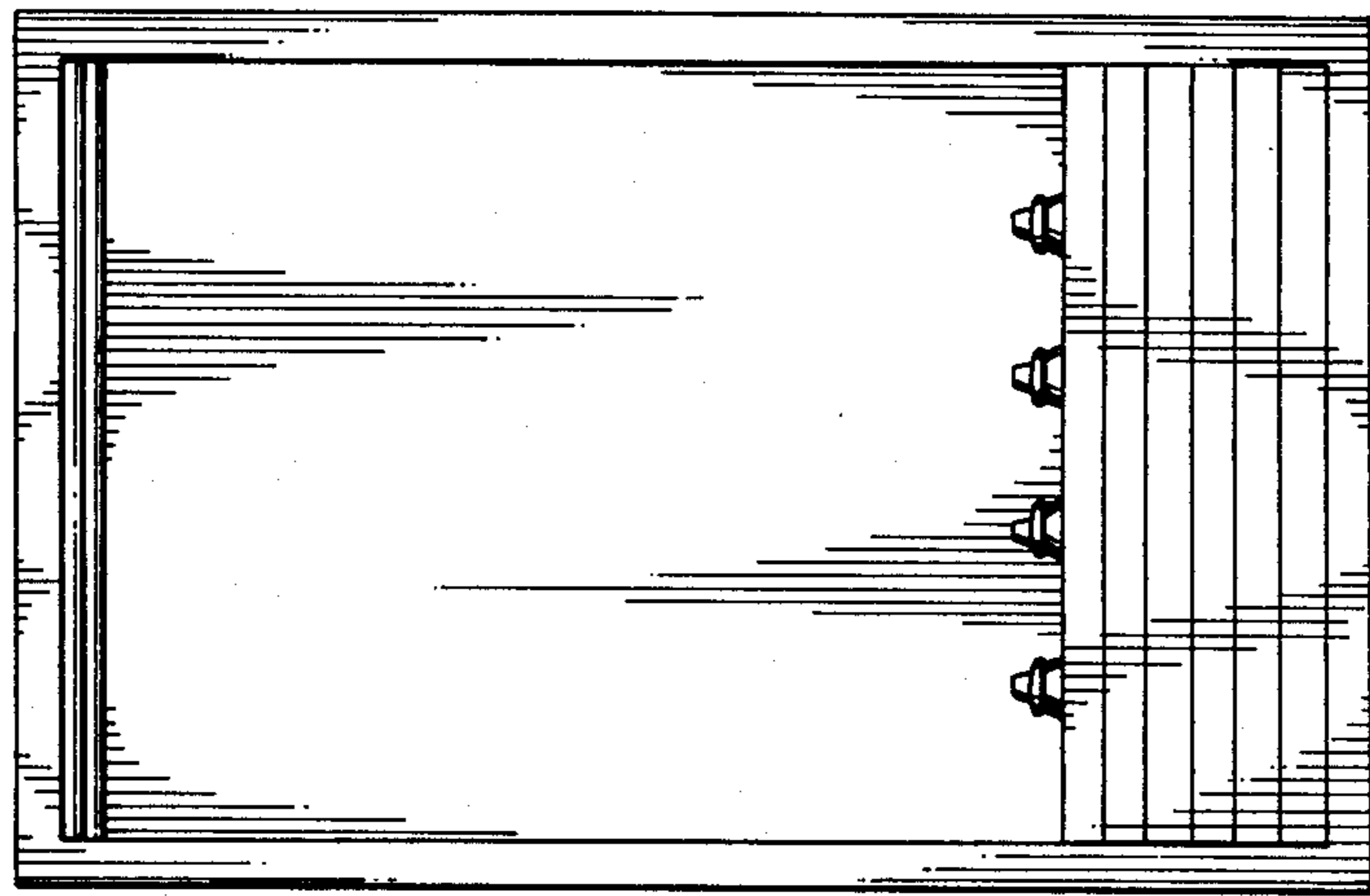
DESCRIPTION

FIG. 1 is a top front perspective view of a swimming exercise and therapeutic pool showing my new design; FIG. 2 is a top plan view thereof; FIG. 3 is a side elevation thereof, the opposite side being a mirror image of the side shown; and FIG. 4 is a rear end elevation.

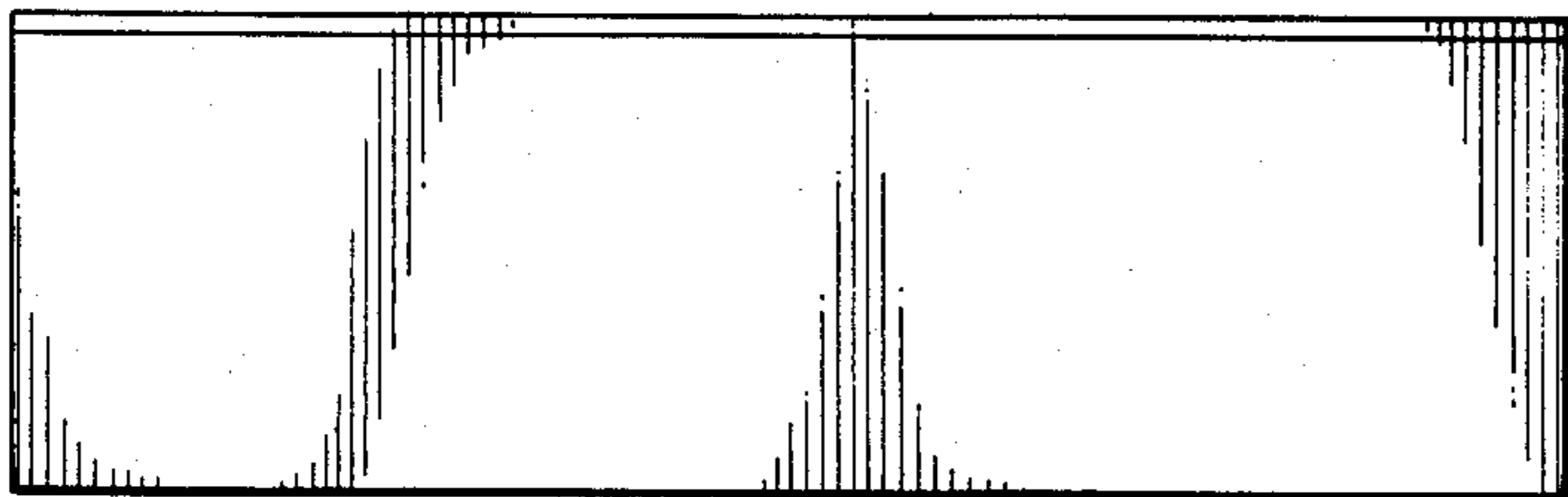




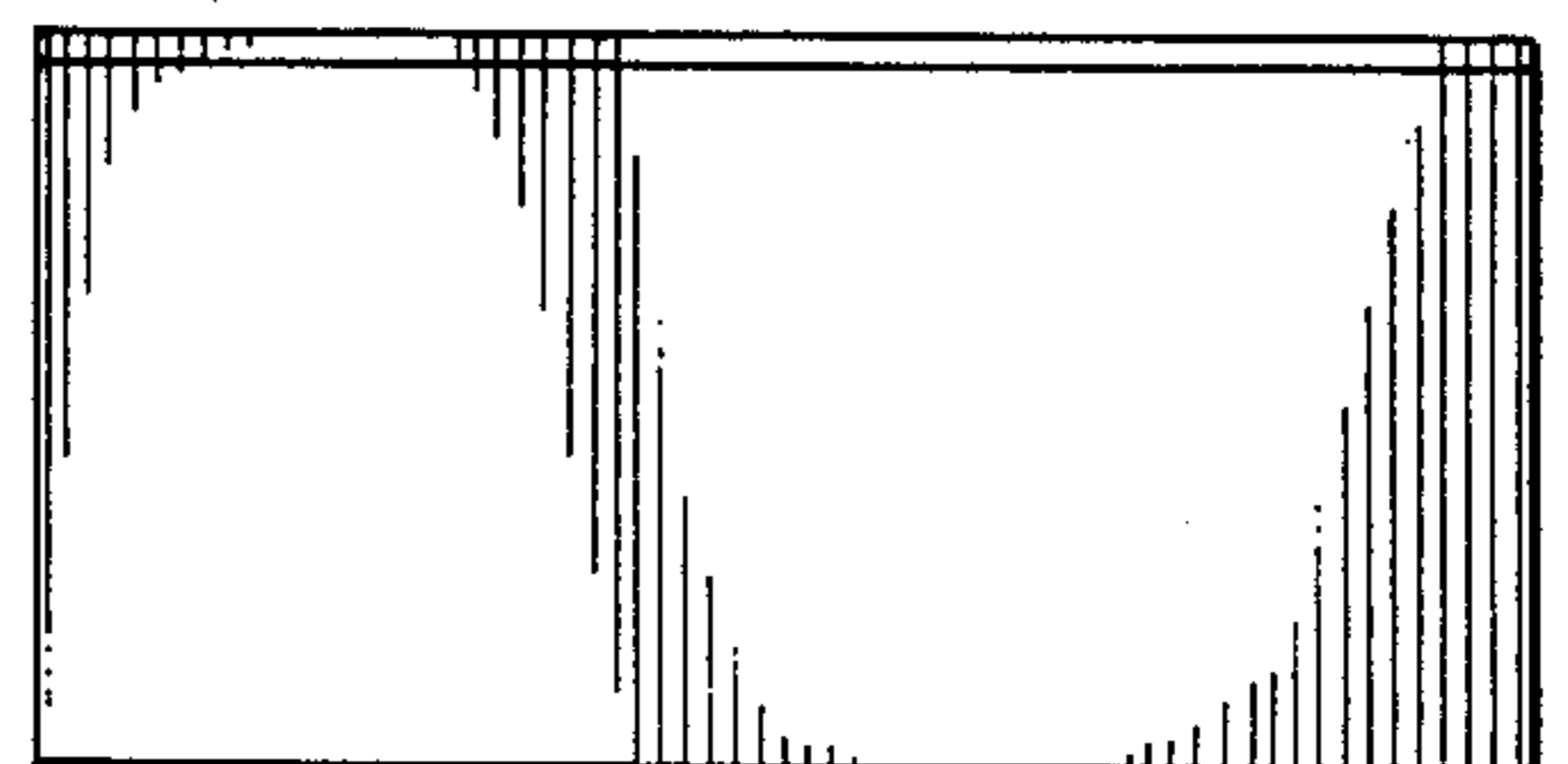
—FIG. 1



—FIG. 2



—FIG. 3



—FIG. 4