

[54] SURGEON'S HOLDER FOR HEMOSTATIC AGENTS

3,643,812 2/1972 Mander et al. 211/74
3,731,819 5/1973 Sandhage 211/74
3,905,772 9/1975 Hartnett et al. 211/74

[76] Inventor: J. DeWitt Fox, 1894 Carla Ridge, Beverly Hills, Calif. 90210

Primary Examiner—Bernard Ansher
Attorney, Agent, or Firm—Ralph B. Pastoriza

[**] Term: 14 Years

[21] Appl. No.: 660,009

[57] CLAIM

[22] Filed: Feb. 23, 1976

The ornamental design for a surgeon's holder for hemostatic agents, substantially as shown.

[51] Int. Cl. D24-02; D6-04

DESCRIPTION

[52] U.S. Cl. D24/31

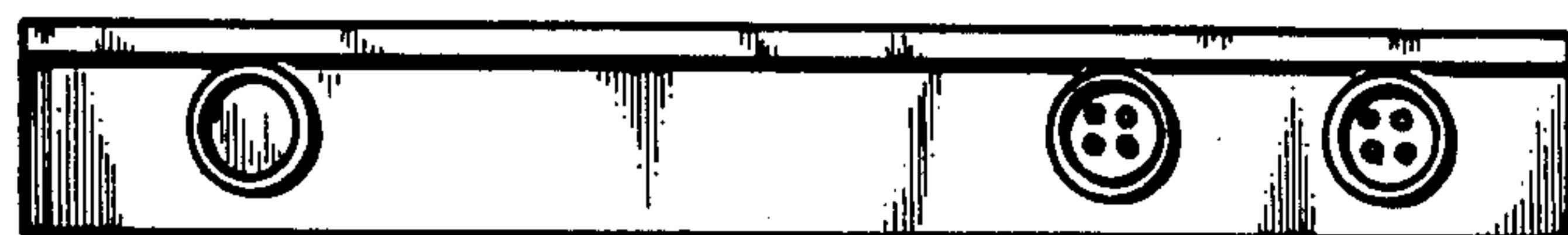
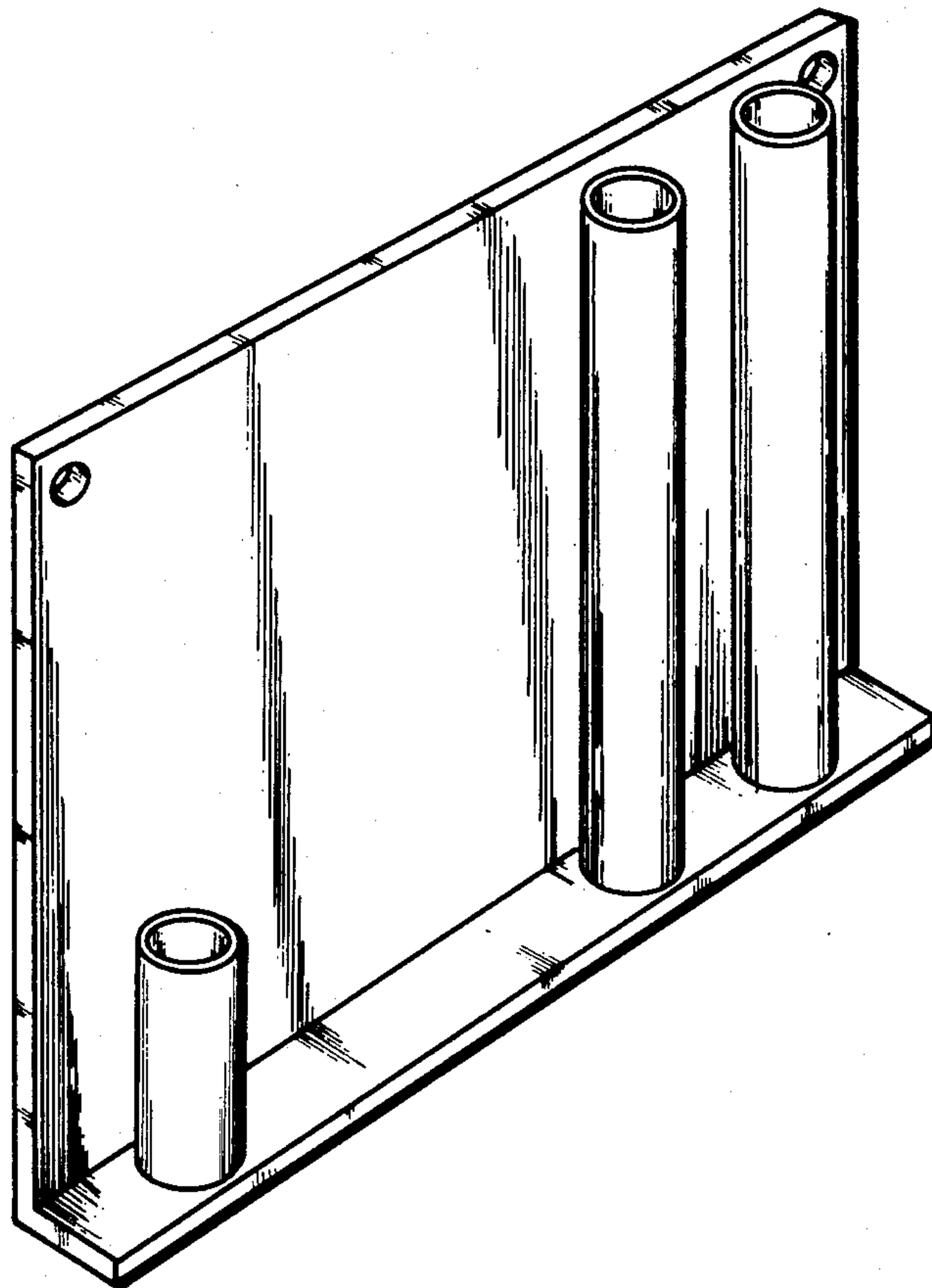
[58] Field of Search 211/60 A, 60 R, 69, 211/72, 63; D6/114, 125, 130; D24/31, 32

FIG. 1 is a perspective view of a surgeon's holder for hemostatic agents showing my new design; FIG. 2 is a left side elevational view thereof; FIG. 3 is a right side elevational view thereof; FIG. 4 is a front elevational view thereof; FIG. 5 is a rear elevational view thereof; FIG. 6 is a top plan view thereof; and, FIG. 7 is a bottom plan view thereof.

[56] References Cited

U.S. PATENT DOCUMENTS

D. 221,220 7/1971 Emmitt D24/31
2,741,913 4/1956 Dovas 211/69 X



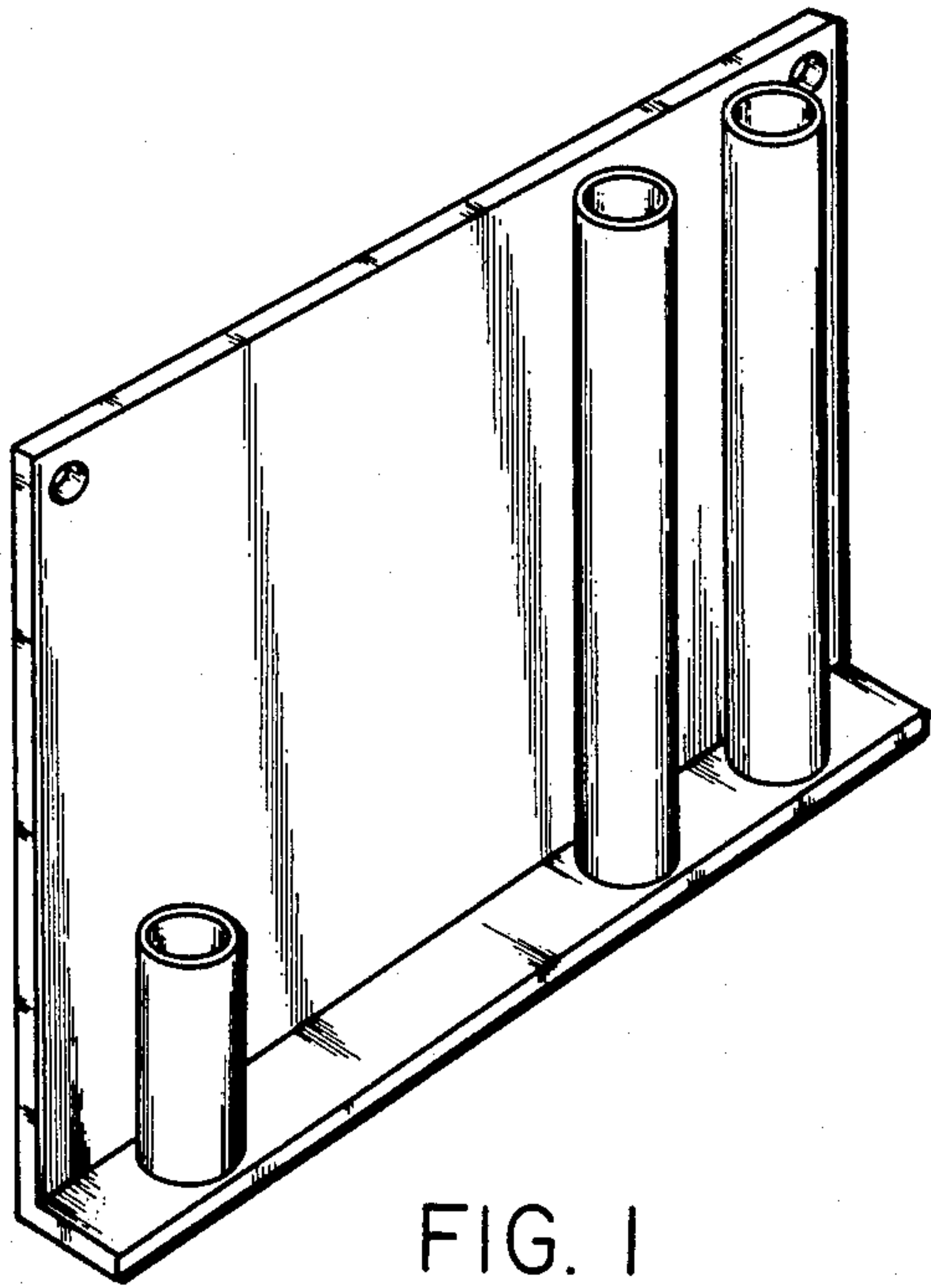


FIG. 1



FIG. 2

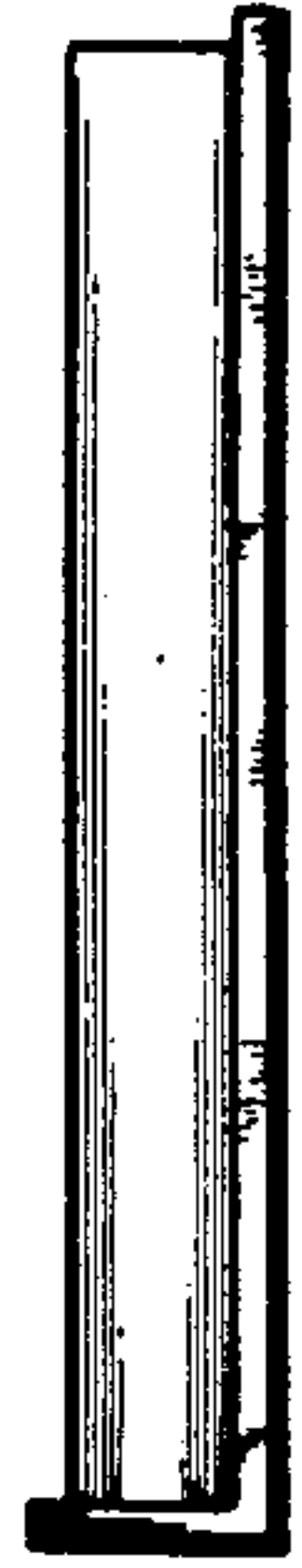


FIG. 3



FIG. 4

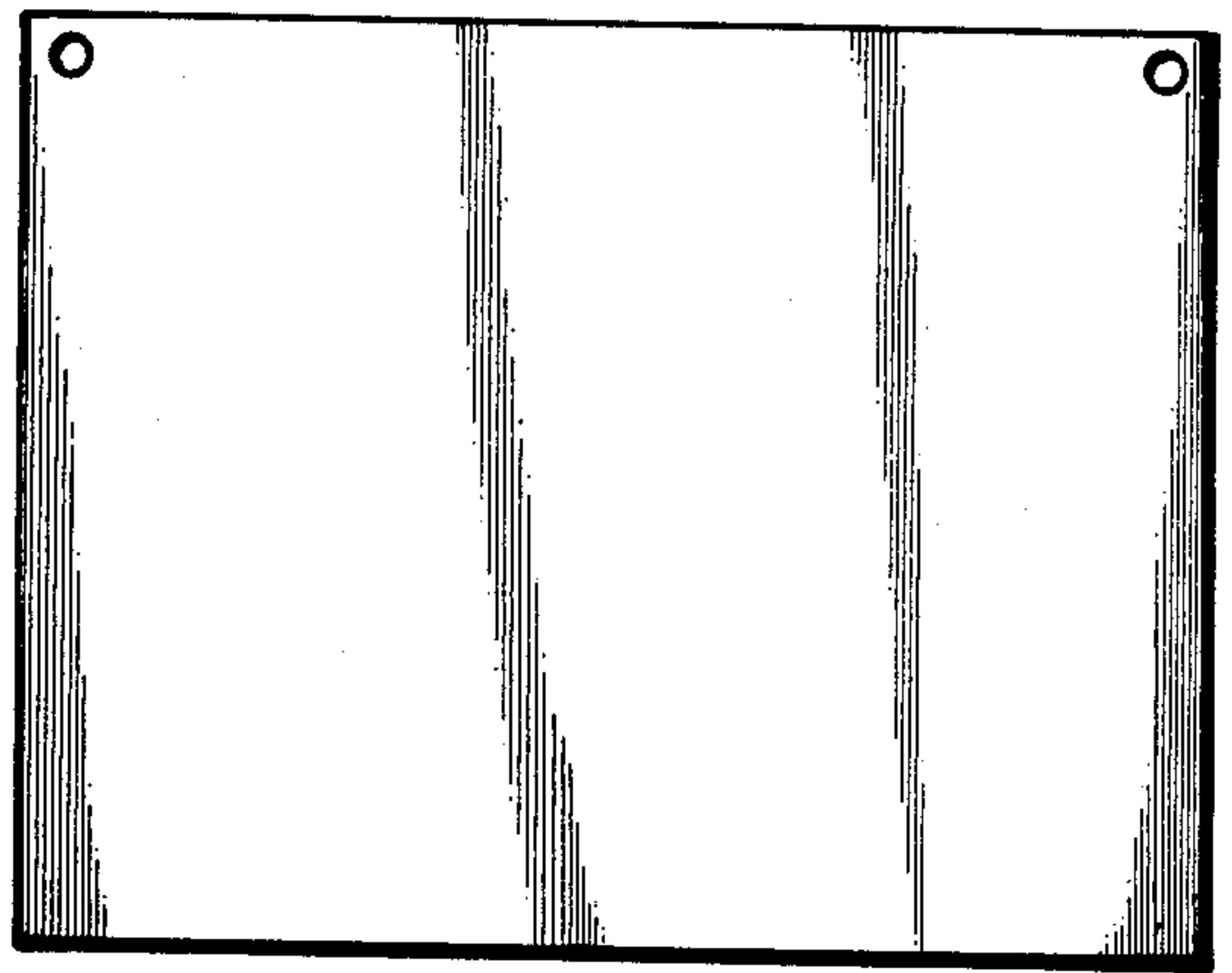


FIG. 5

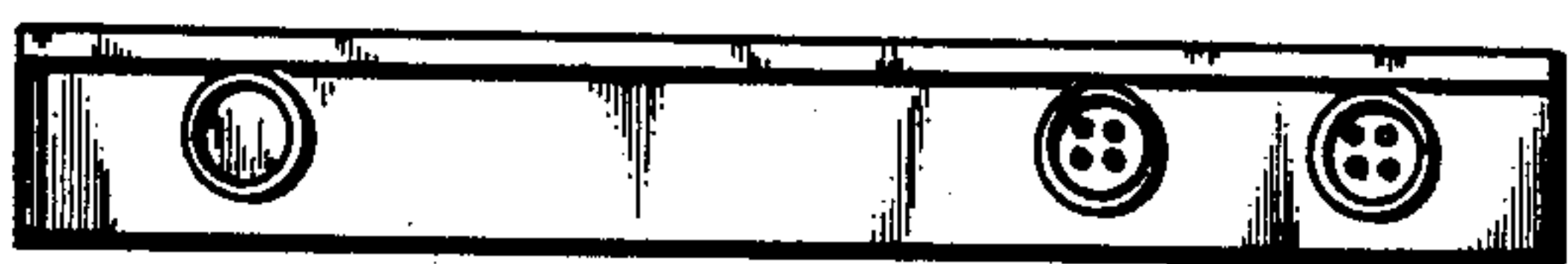


FIG. 6



FIG. 7