

[54] **AQUARIUM FILTER**

[75] Inventor: **Allan H. Willinger, New York, N.Y.**

[73] Assignee: **Willinger Bros., Inc., New York, N.Y.**

[\*\*] Term: **14 Years**

[21] Appl. No.: **748,101**

[22] Filed: **Dec. 6, 1976**

[51] Int. Cl. .... **D23-01**

[52] U.S. Cl. .... **D23/4**

[58] Field of Search ..... **D23/3, 4; 210/169**

[56] **References Cited**

**U.S. PATENT DOCUMENTS**

D. 174,482	4/1955	Willinger et al. ....	D23/4
D. 190,273	5/1961	Stark .....	D23/4
D. 213,555	3/1969	Willinger .....	D23/4
D. 213,691	4/1969	Rosenel .....	D23/4
D. 232,027	7/1974	Levin .....	D23/4
3,477,580	11/1969	Willinger .....	210/169

3,630,367	12/1971	Willinger .....	210/169
3,746,168	7/1973	Willinger et al. ....	210/169 X
3,746,169	7/1973	Willinger et al. ....	210/169 X

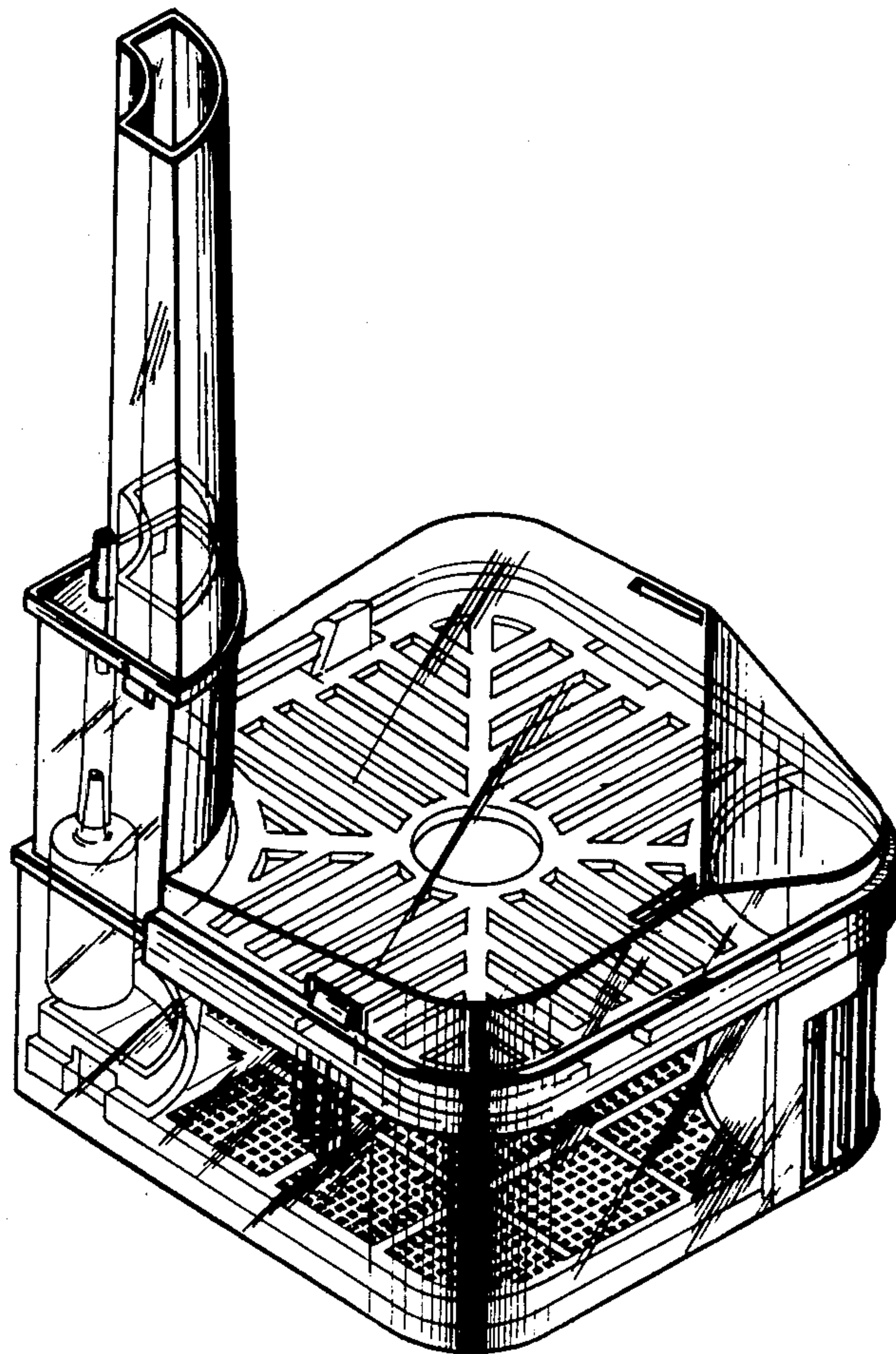
*Primary Examiner*—James R. Largen  
*Attorney, Agent, or Firm*—Abraham Friedman

[57] **CLAIM**

The ornamental design for an aquarium filter, substantially as shown and described.

**DESCRIPTION**

FIG. 1 is a perspective view of an aquarium filter, showing my new design;  
FIG. 2 is a top plan view;  
FIG. 3 is a left rear elevational view, the right rear being a mirror image thereof;  
FIG. 4 is an elevational view taken from the left front and left rear thereof;  
FIG. 5 is a left front elevational view, the right front being a mirror image thereof;  
FIG. 6 is an elevational view taken from left front and right front thereof; and  
FIG. 7 is a bottom plan view.



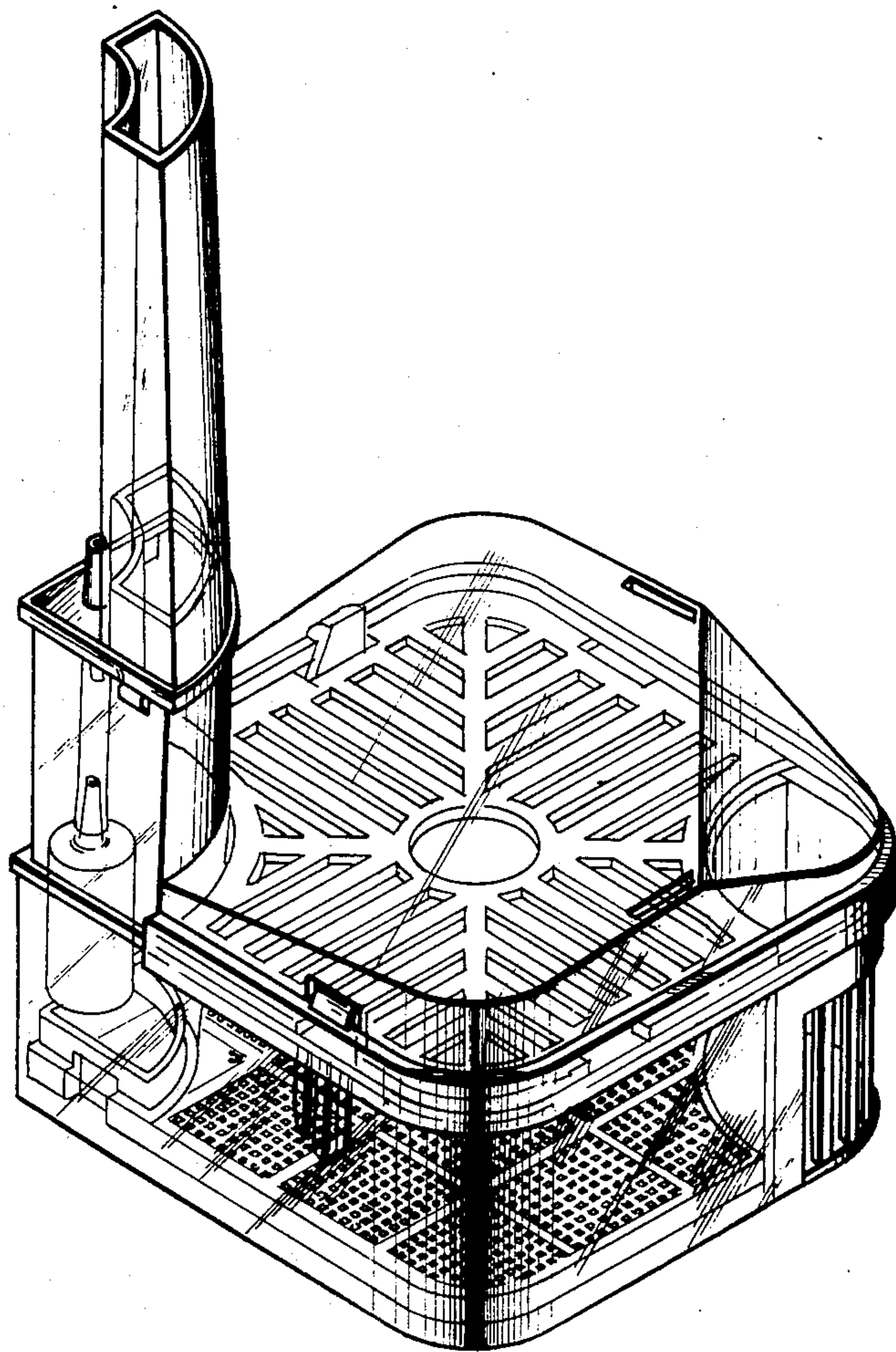


FIG. 1

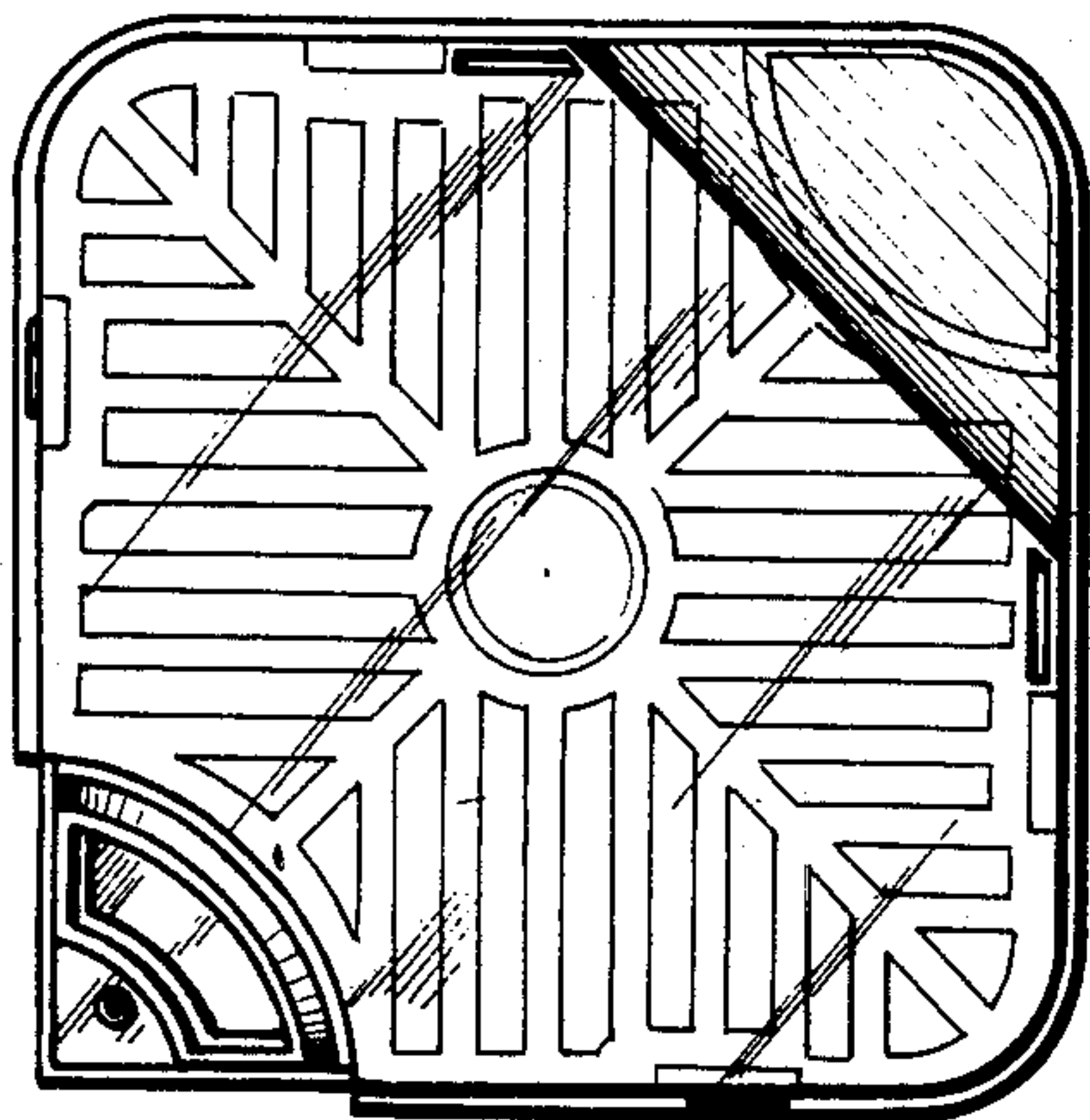


FIG. 2

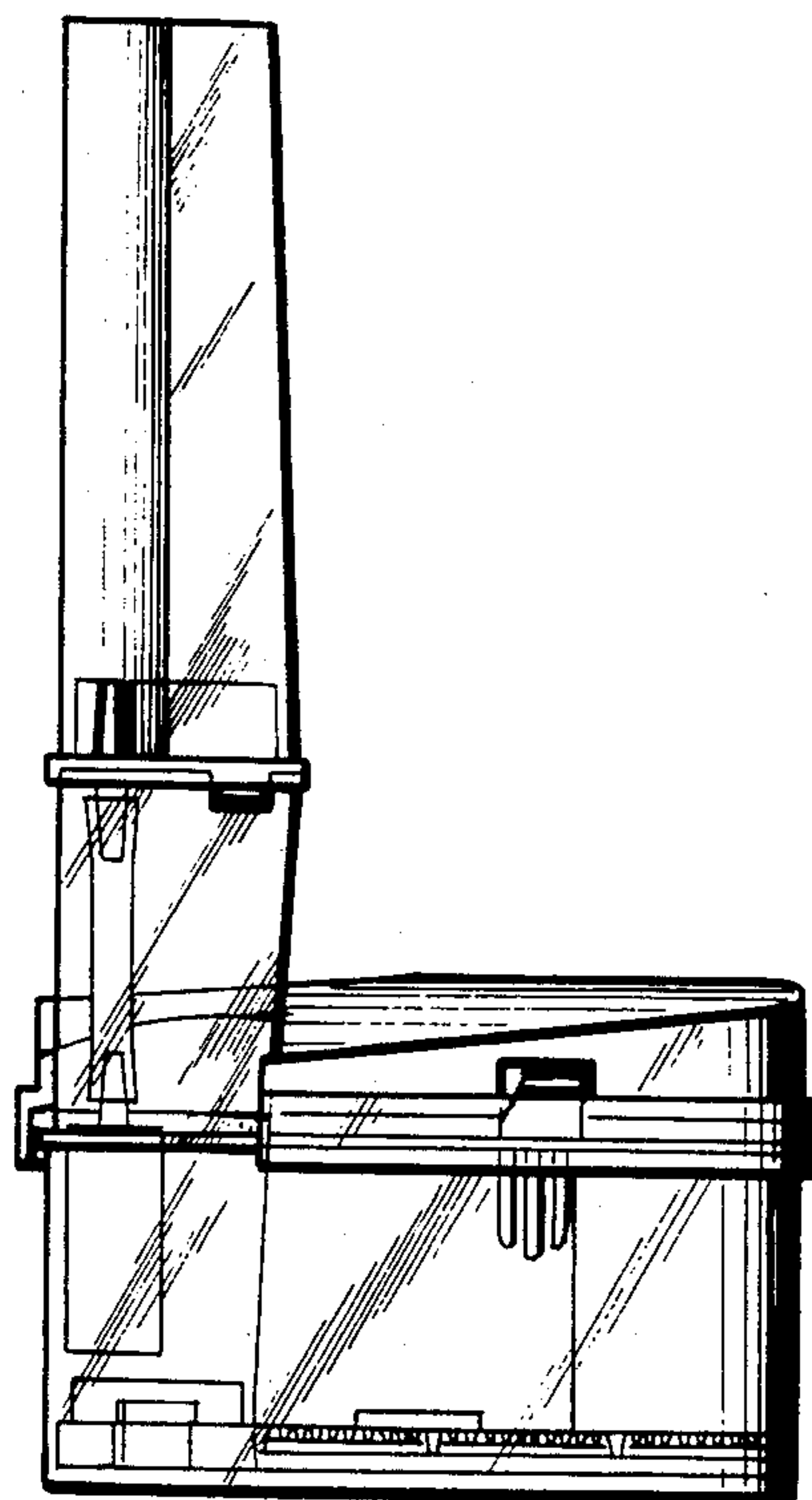


FIG. 3



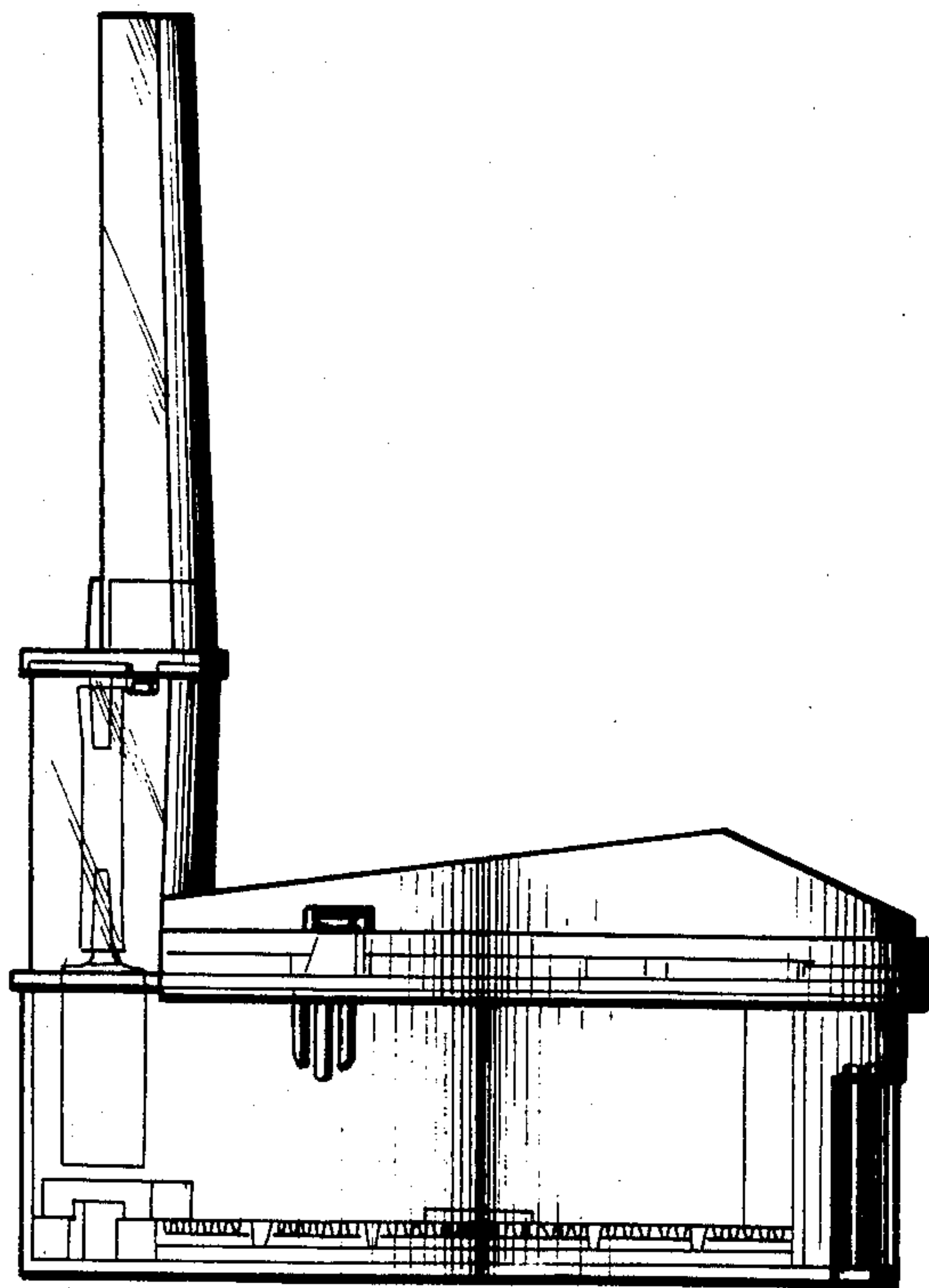


FIG. 4

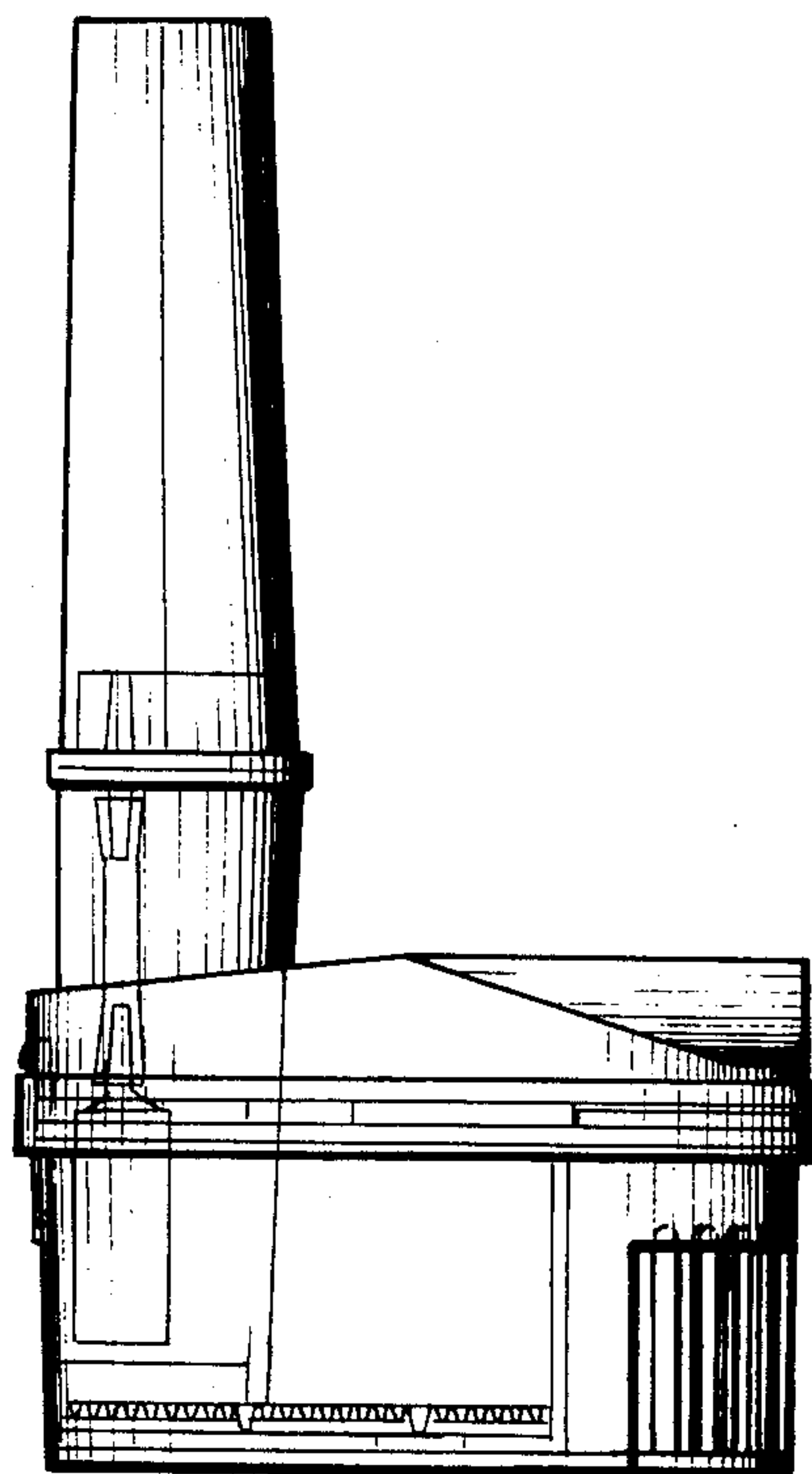


FIG. 5

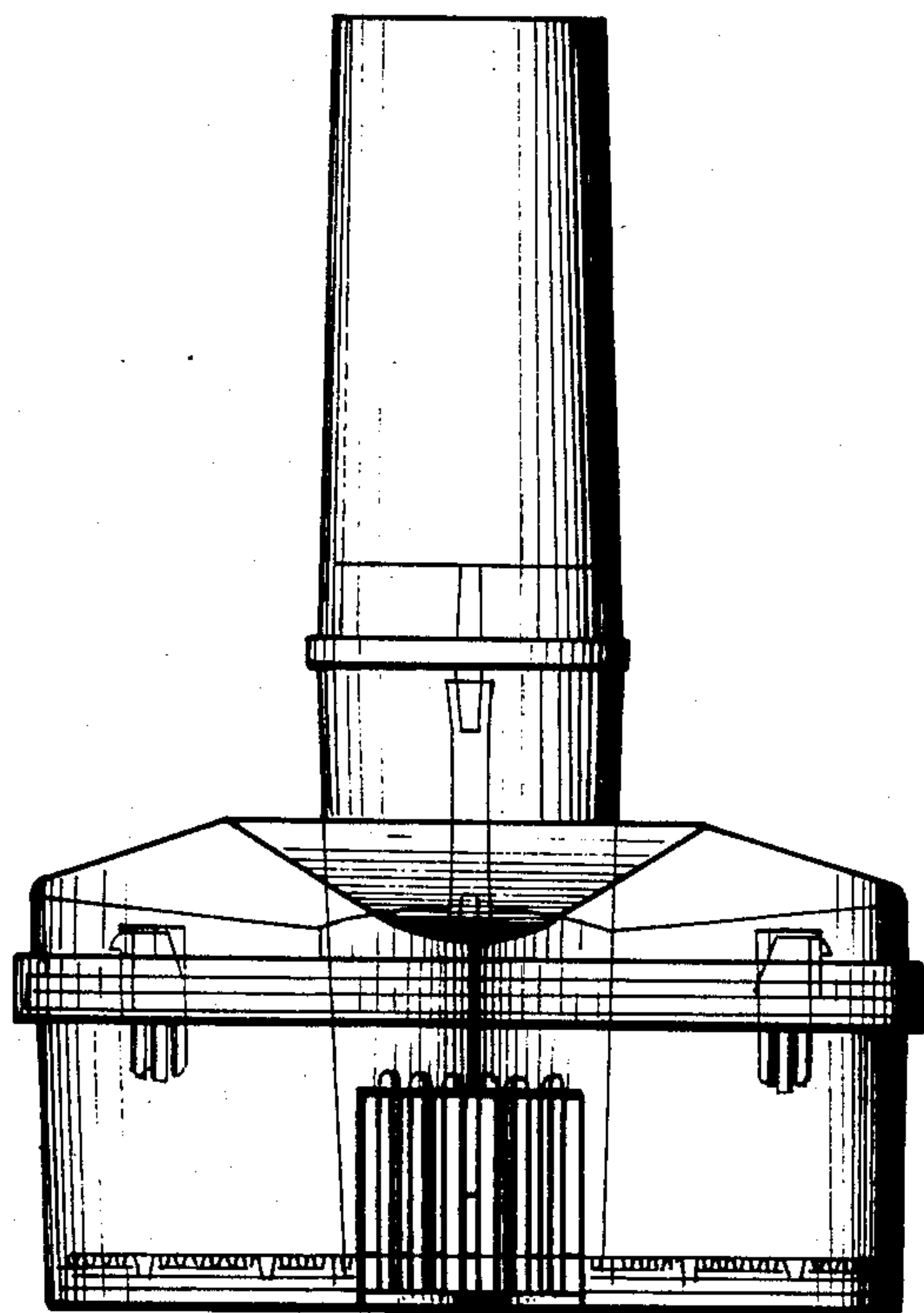


FIG. 6

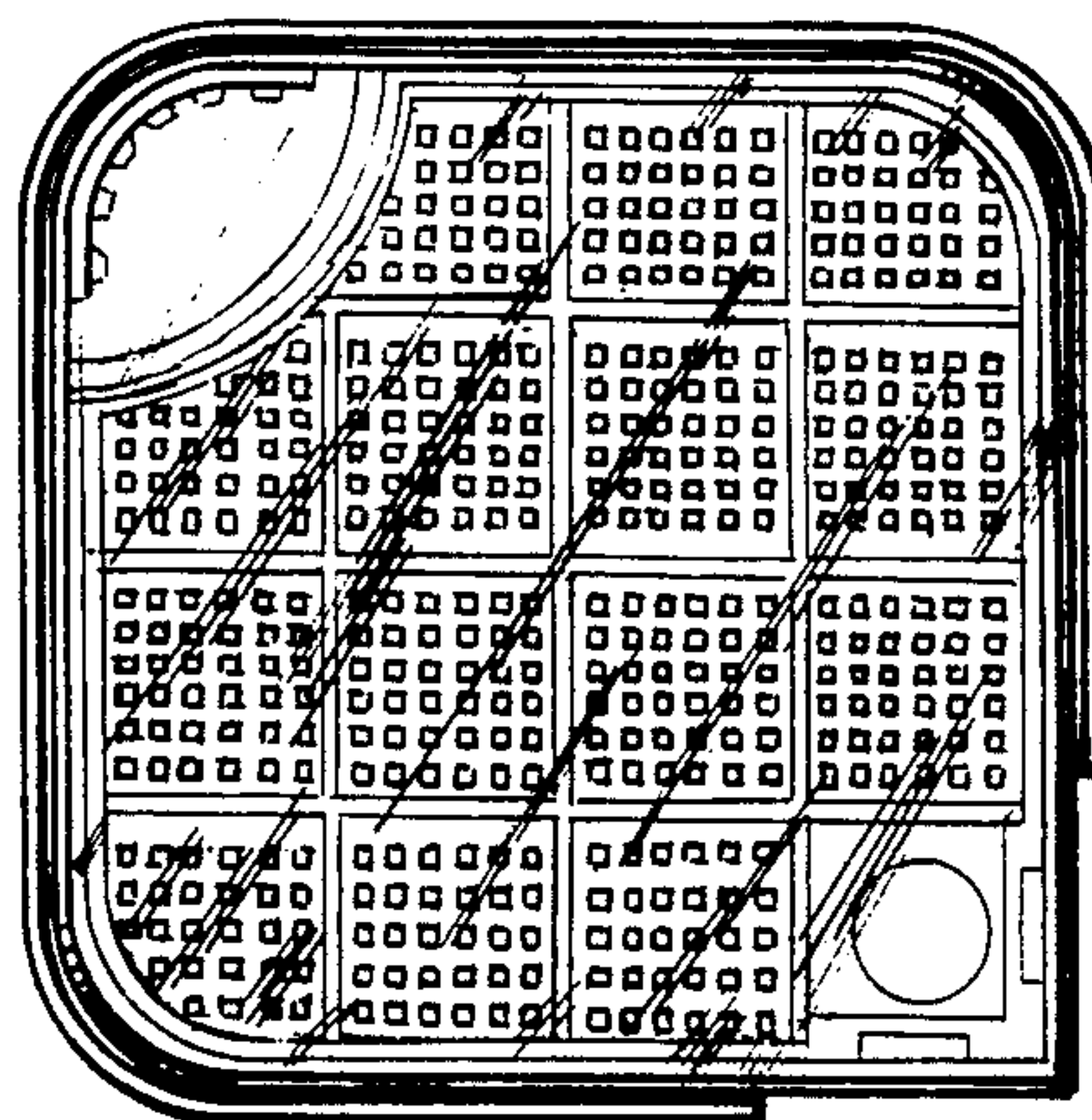


FIG. 7