

[54] DISPOSABLE RECORDING PEN

[75] Inventor: Jerald C. Raahauge, Anaheim, Calif.

[73] Assignee: Kingman-White, Inc., Placentia, Calif.

[**] Term: 14 Years

[21] Appl. No.: 750,297

[22] Filed: Dec. 13, 1976

Related U.S. Application Data

[62] Division of Ser. No. 584,711, June 9, 1975, Pat. No. Des. 244,025.

[51] Int. Cl. D19-06

[52] U.S. Cl. D19/41

[58] Field of Search D19/41, 55; 401/198, 401/199, 282; 346/140 A, 140 R, 30, 49, 29

[56] References Cited

U.S. PATENT DOCUMENTS

| | | | |
|-----------|---------|----------------------|-----------|
| 3,611,430 | 10/1971 | Watchorn et al. | 346/140 A |
| 3,893,130 | 7/1975 | Browning et al. | 346/140 A |
| 3,934,255 | 1/1976 | Taylor | 346/140 A |

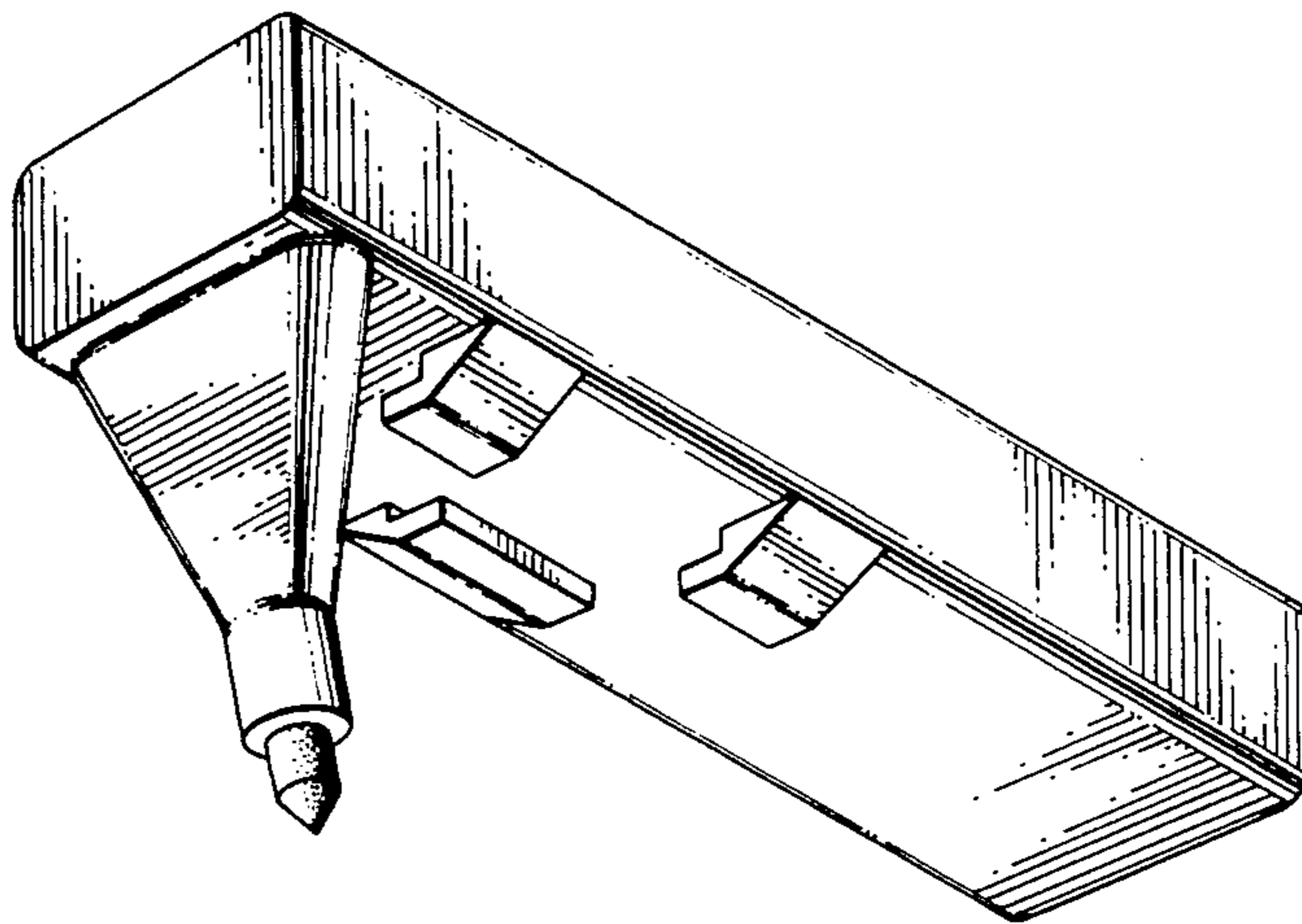
Primary Examiner—Joel Stearman
Assistant Examiner—George P. Word
Attorney, Agent, or Firm—Gordon H. Olson

[57] CLAIM

The ornamental design for a disposable recording pen, as shown and described.

DESCRIPTION

FIG. 1 is a bottom rear perspective view of a disposable recording pen showing my new design; FIG. 2 is a front elevational view; FIG. 3 is a right side elevational view; FIG. 4 is a top plan view; FIG. 5 is a bottom rear perspective view of an alternate embodiment of the disposable recording pen; FIG. 6 is a front elevational view thereof; FIG. 7 is a right side elevational view thereof; and FIG. 8 is a top plan view thereof.



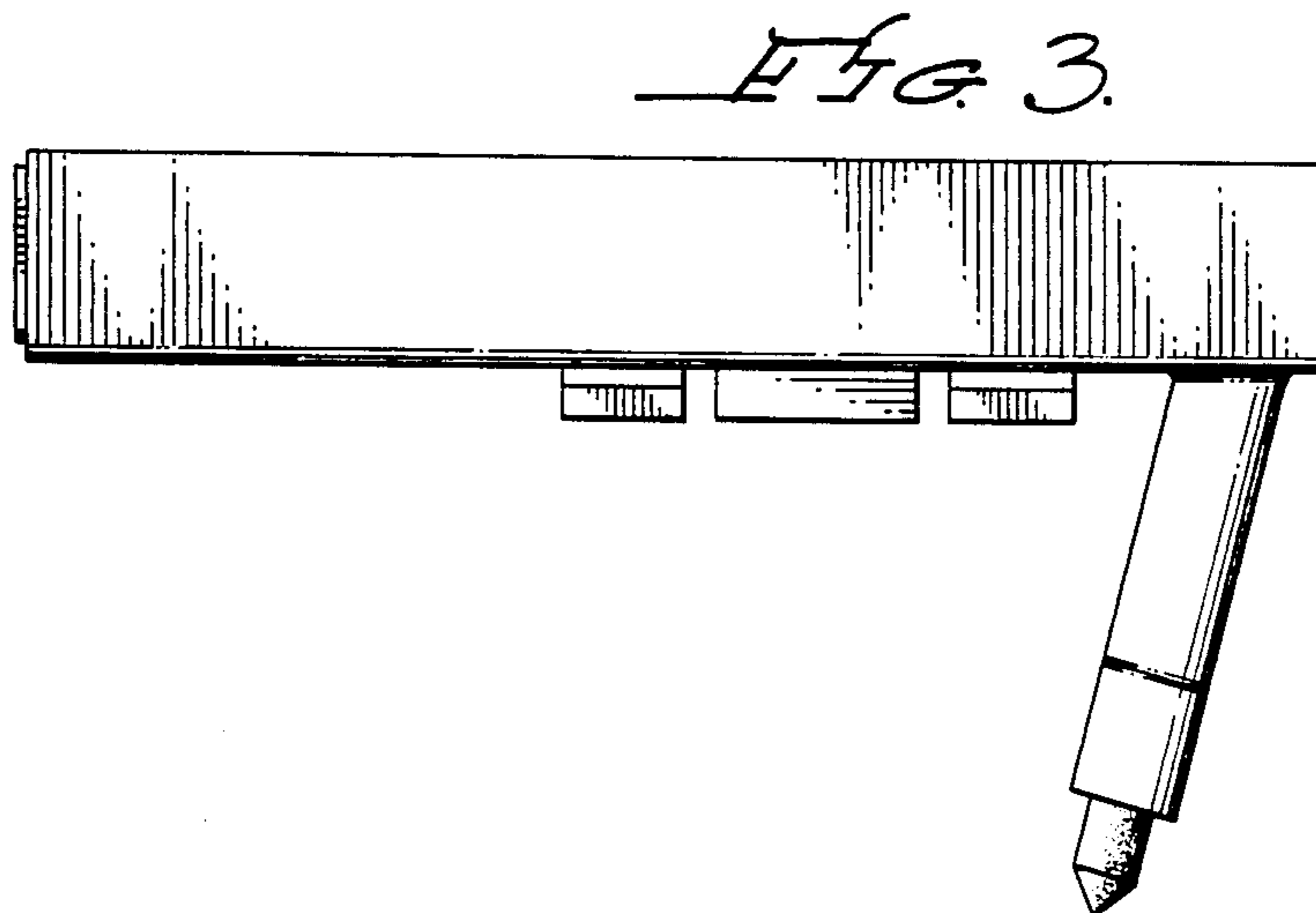
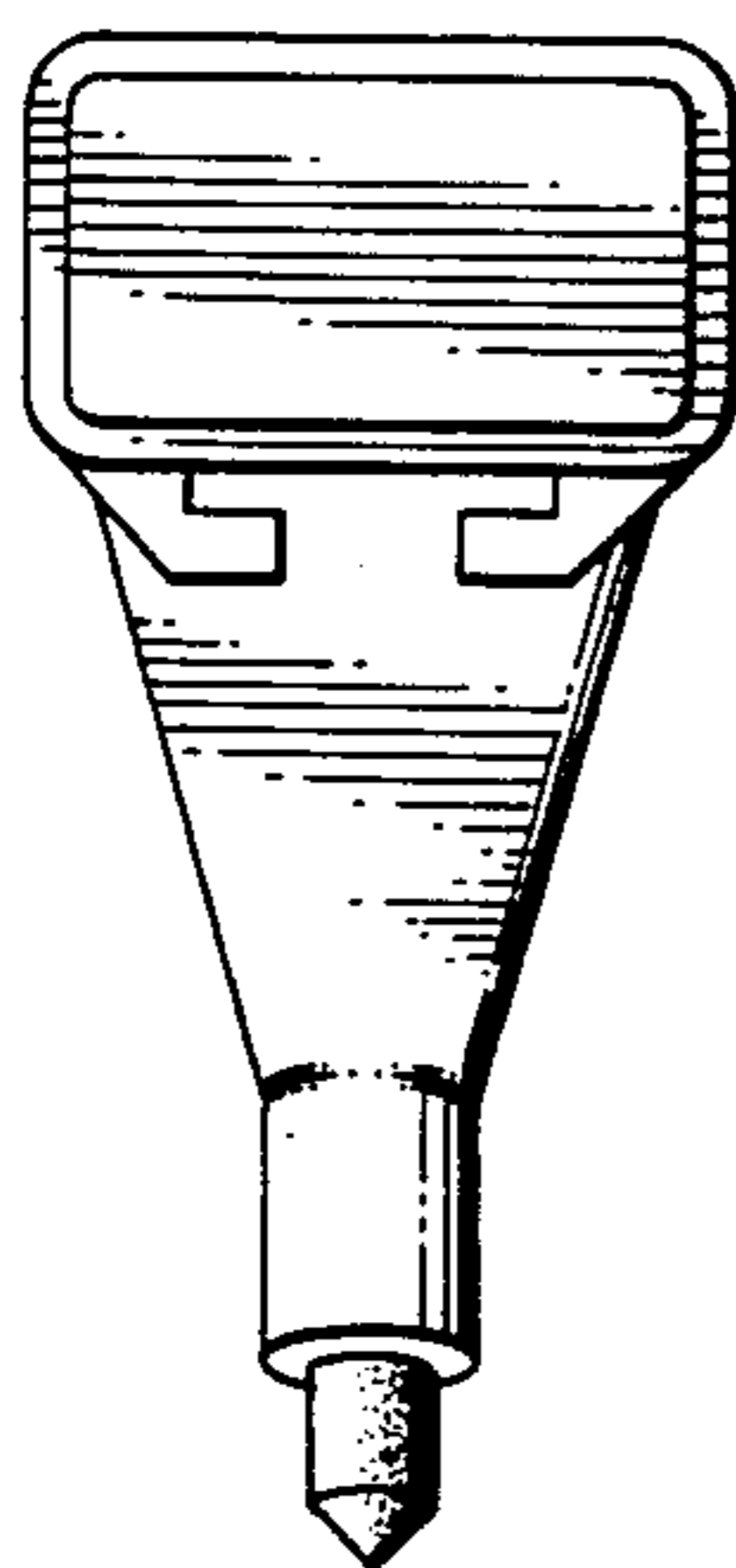
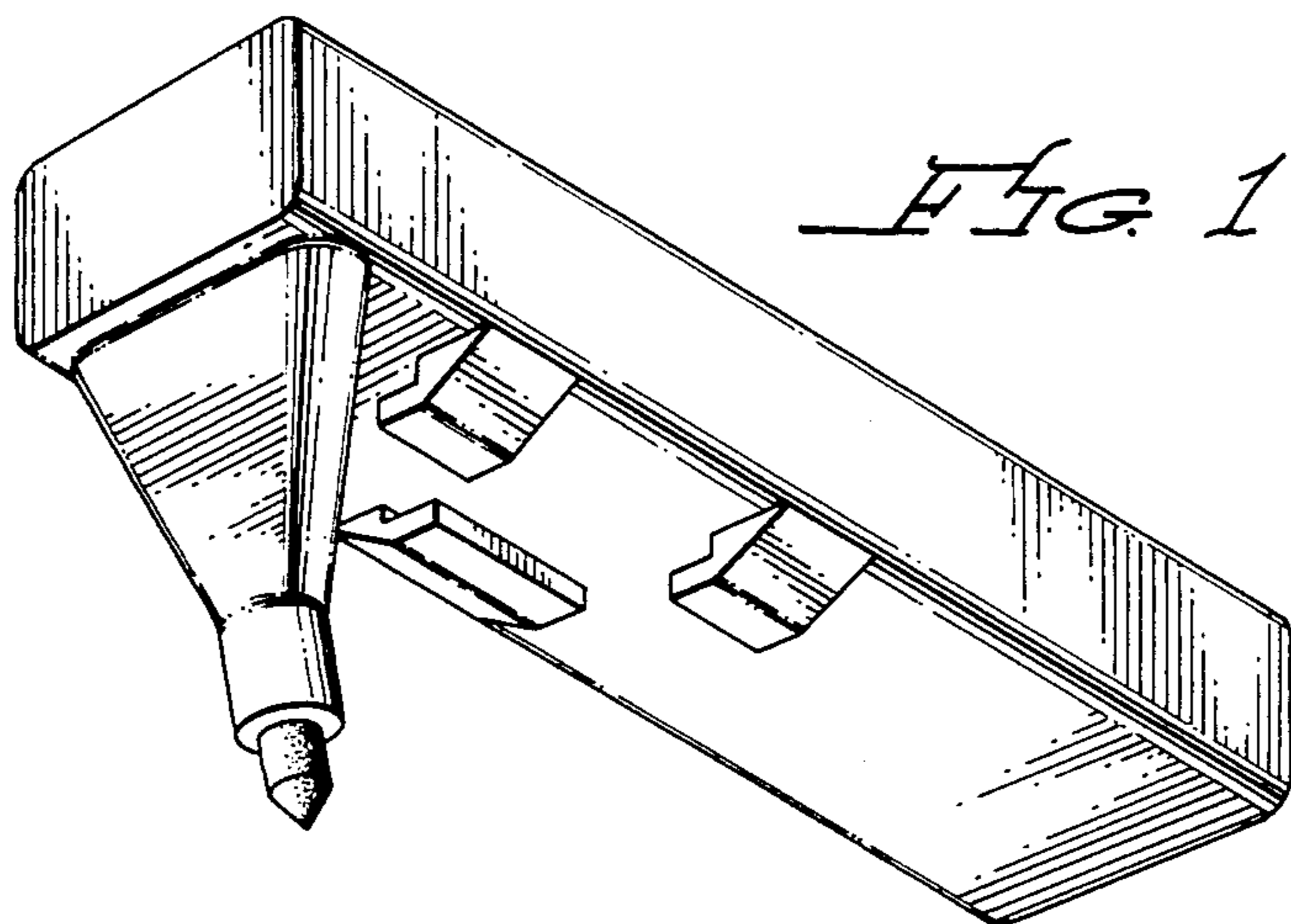
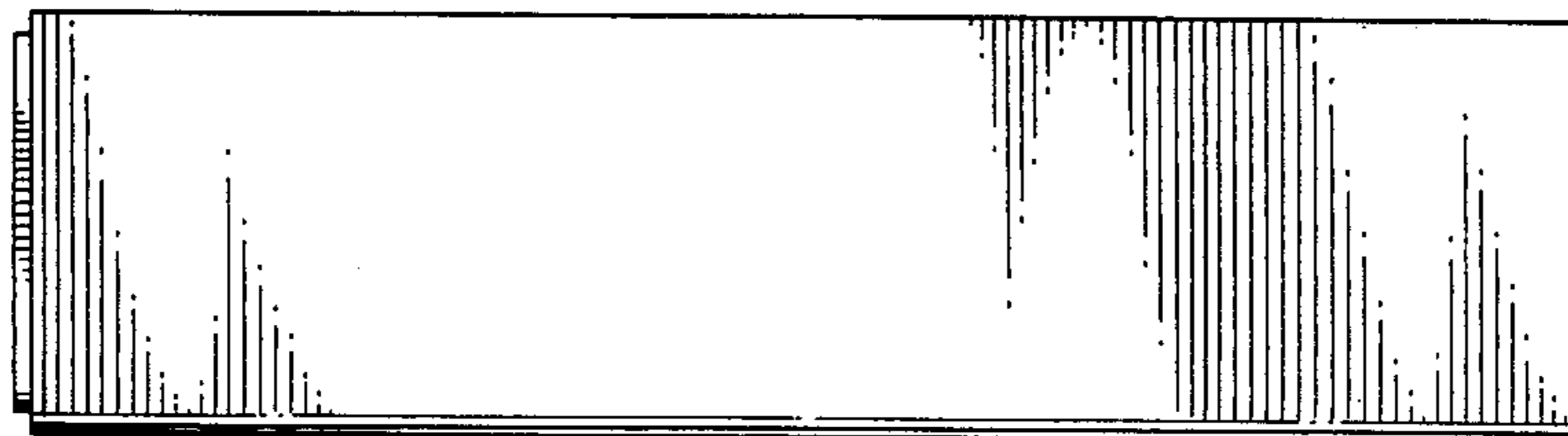


FIG. 4.



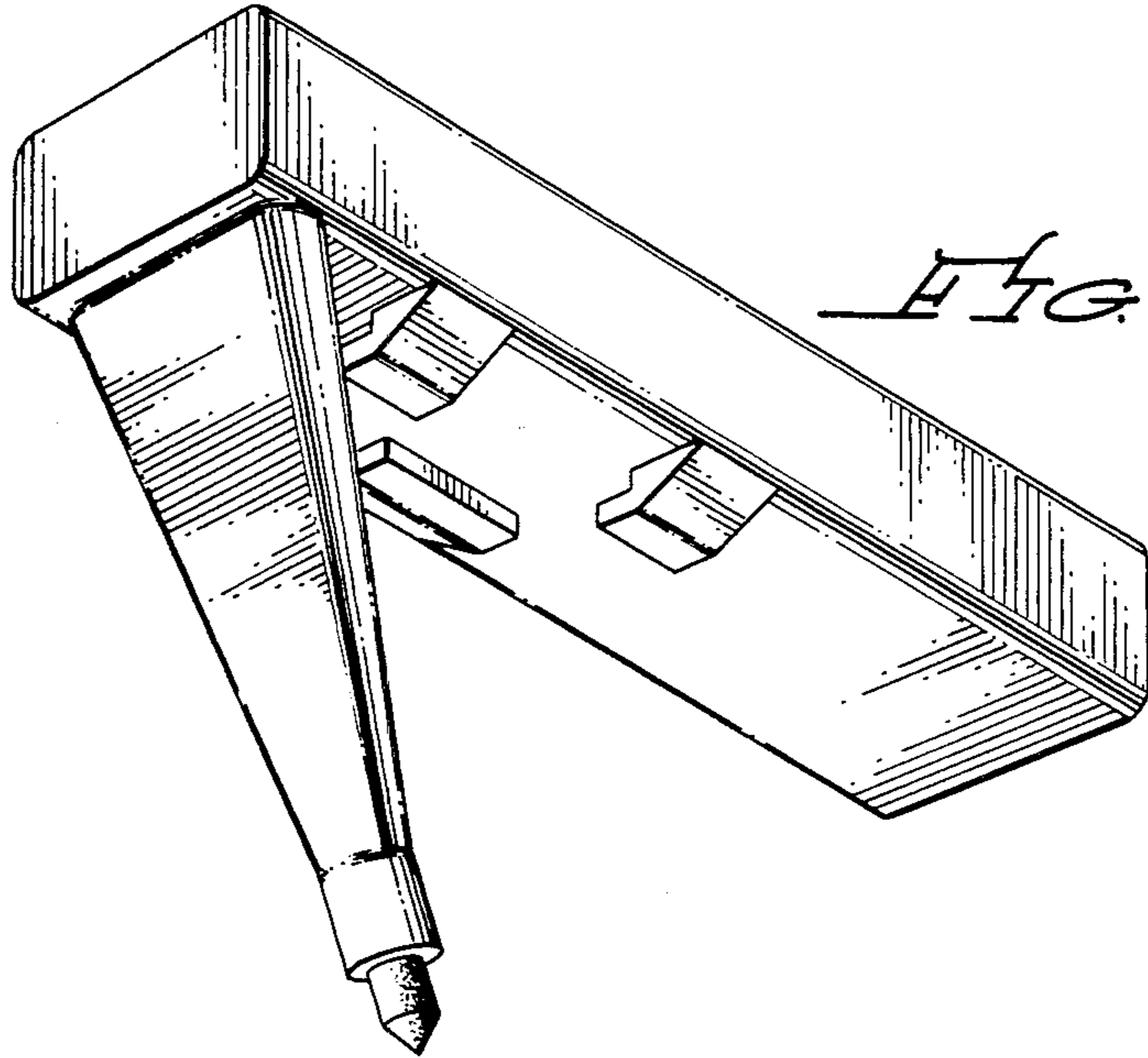


FIG. 5.

FIG. 6.

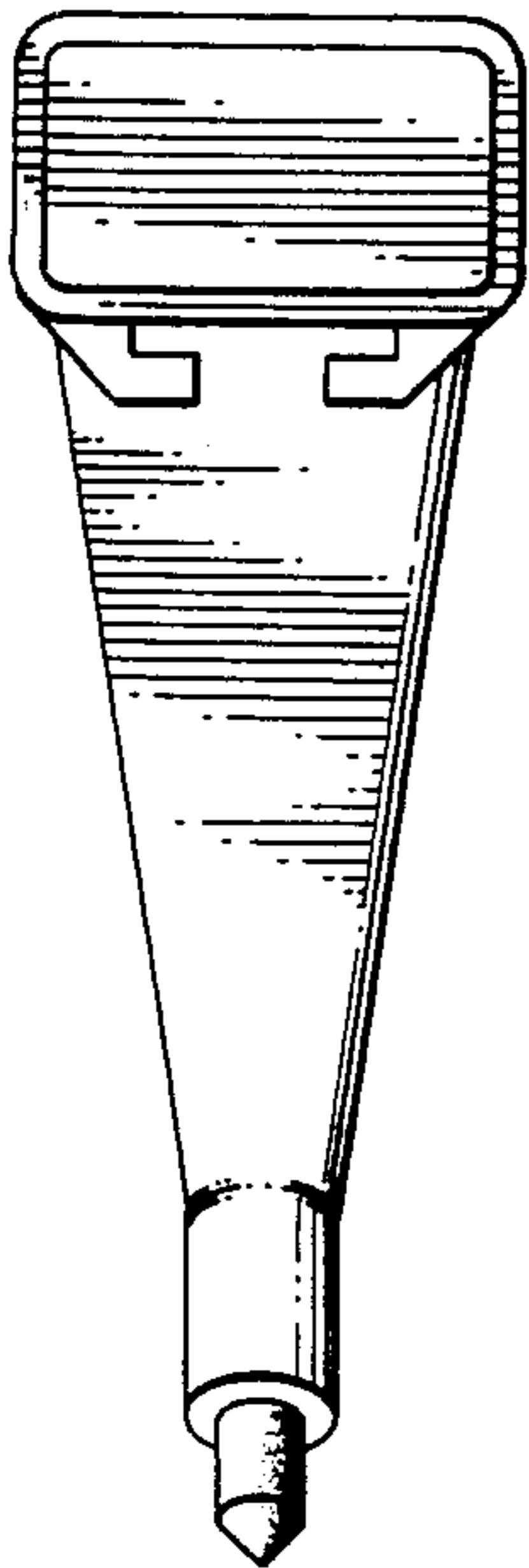


FIG. 7.

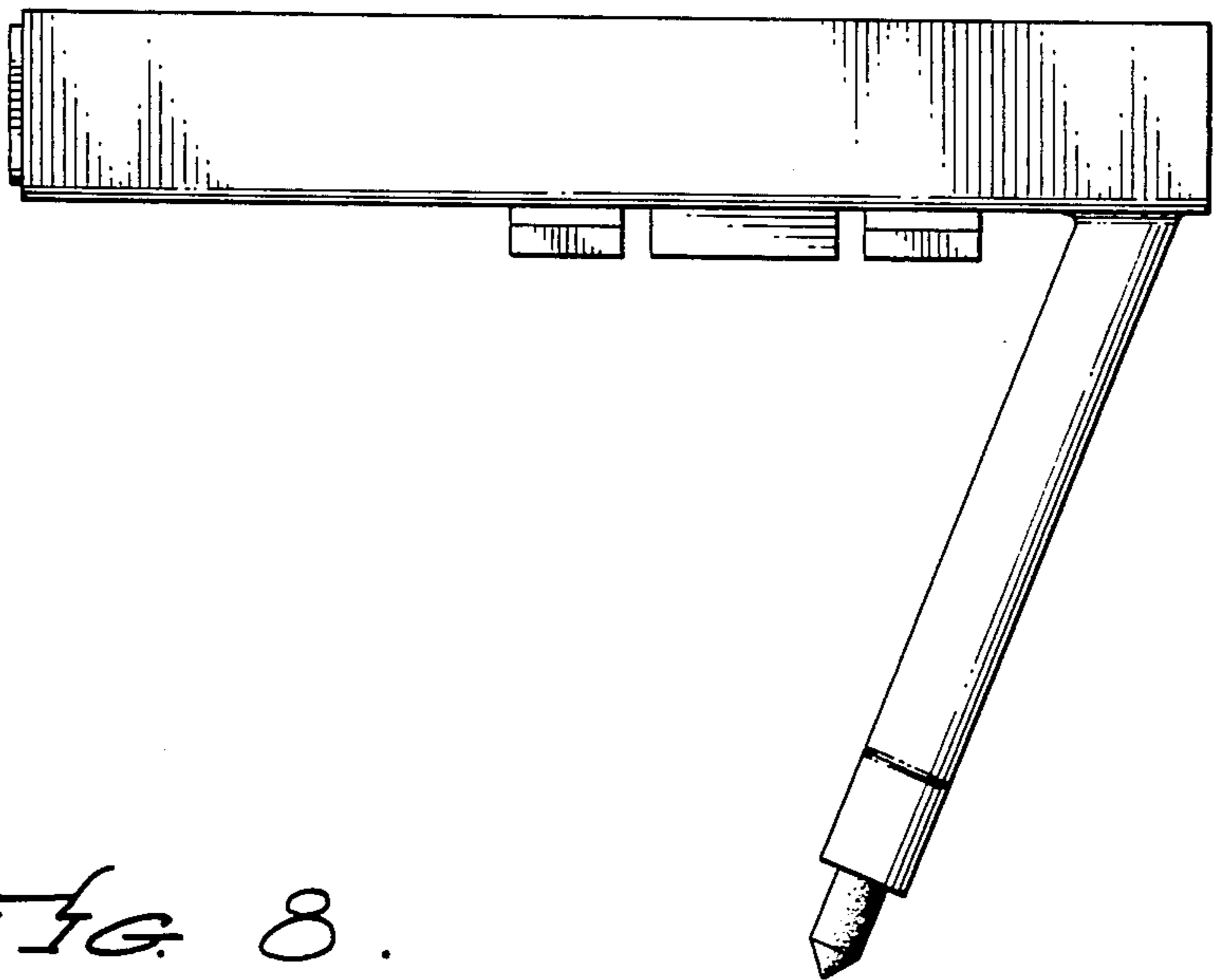


FIG. 8.

