

[54] CAMERA OR SIMILAR ARTICLE

[75] Inventor: Tetsuro Ooya, Osaka, Japan

[73] Assignee: Minolta Camera Kabushiki Kaisha, Azuchi, Japan

[\*\*] Term: 14 Years

[21] Appl. No.: 676,188

[22] Filed: Apr. 12, 1976

[30] Foreign Application Priority Data

Oct. 13, 1975 Japan ..... 50-41055

[51] Int. Cl. .... D16-01

[52] U.S. Cl. .... D16/6

[58] Field of Search ..... D16/1-10; 354/288, 83-93, 187-194, 152-156

[56] References Cited

U.S. PATENT DOCUMENTS

- D. 229,862 1/1974 Hansen ..... D16/9
- D. 236,377 8/1975 Takata et al. .... D16/9
- D. 241,167 8/1976 Woodring et al. .... D16/6

Primary Examiner—Wallace R. Burke  
Assistant Examiner—Catherine Kemper  
Attorney, Agent, or Firm—Meyer A. Gross

[57] CLAIM

The ornamental design for a camera or similar article, substantially as shown and described.

DESCRIPTION

FIG. 1 is a front elevational view of a camera or similar article embodying my new design;  
 FIG. 2 is a top plan view thereof;  
 FIG. 3 is a rear elevational view thereof;  
 FIG. 4 is a bottom plan view thereof;  
 FIG. 5 is a left side elevational view thereof;  
 FIG. 6 is a right side elevational view thereof;  
 FIG. 7 is a top plan view with the lens cap covering the regular lens;  
 FIG. 8 is a top plan view with the built-in close-up lens positioned in front of the regular lens;  
 FIG. 9 is a top perspective view of the camera taken from the front end; and  
 FIG. 10 is a bottom perspective view of the camera as seen from the rear end.

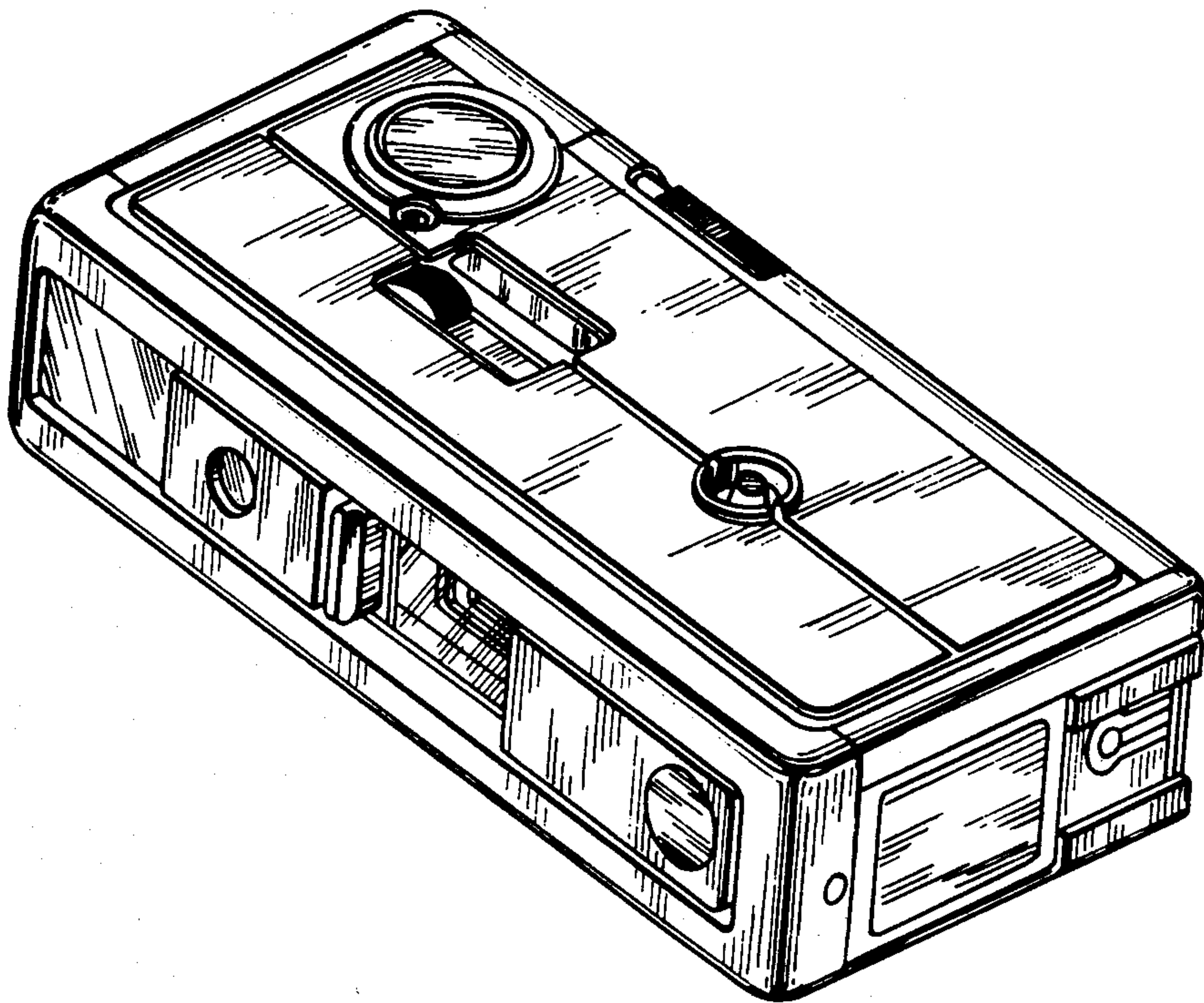


Fig. 1.

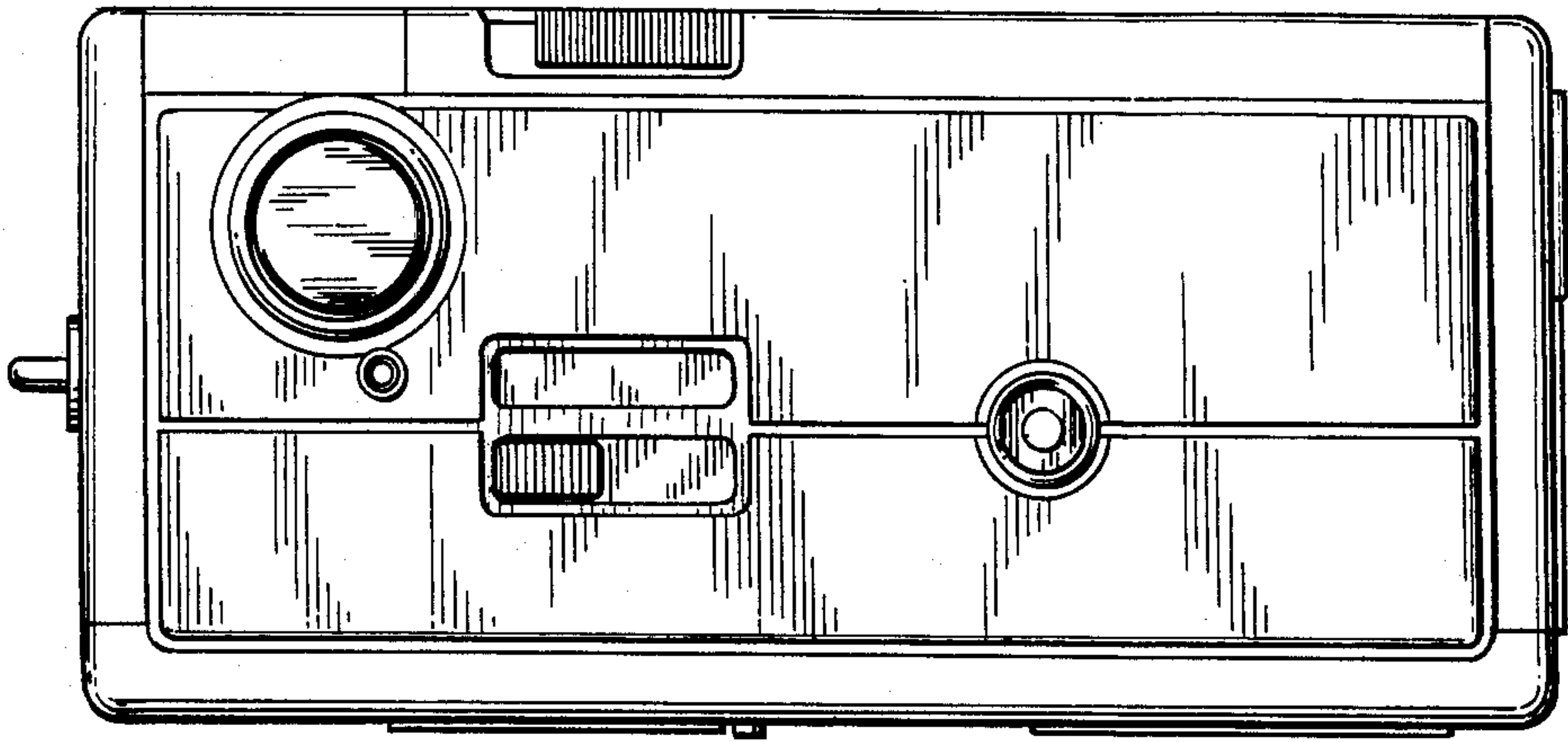


Fig. 2.

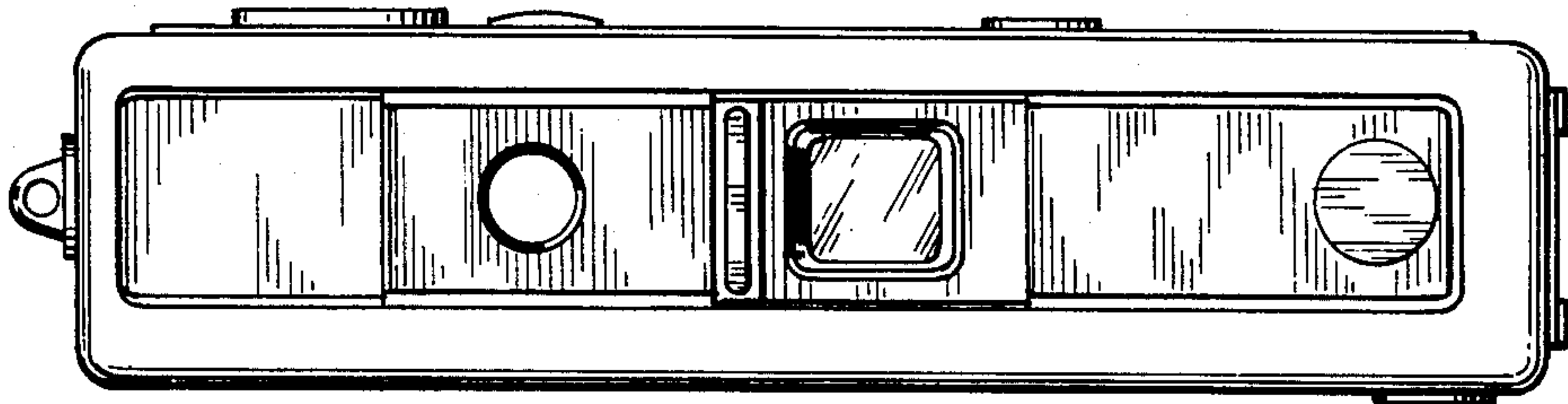


Fig. 3.

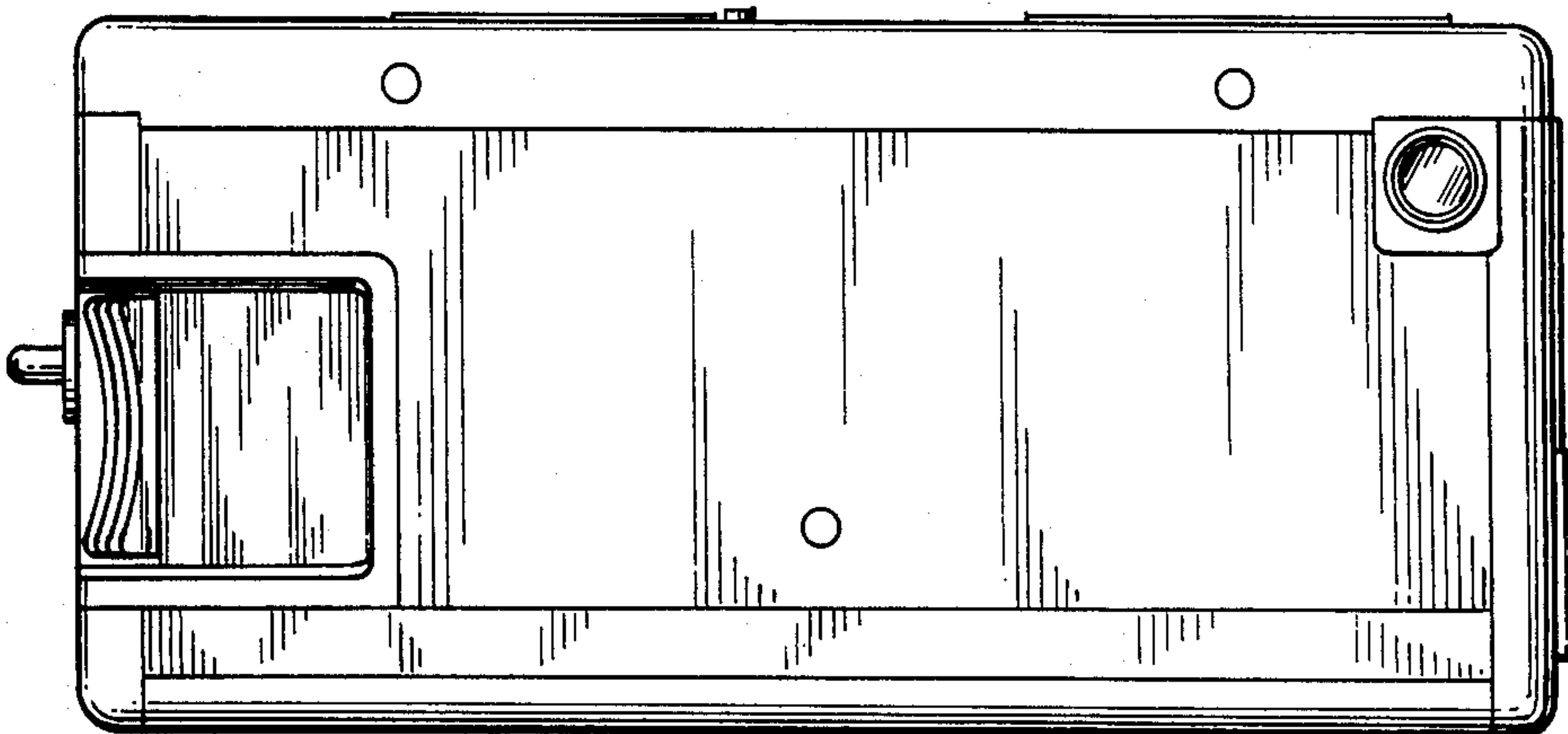


Fig. 4.

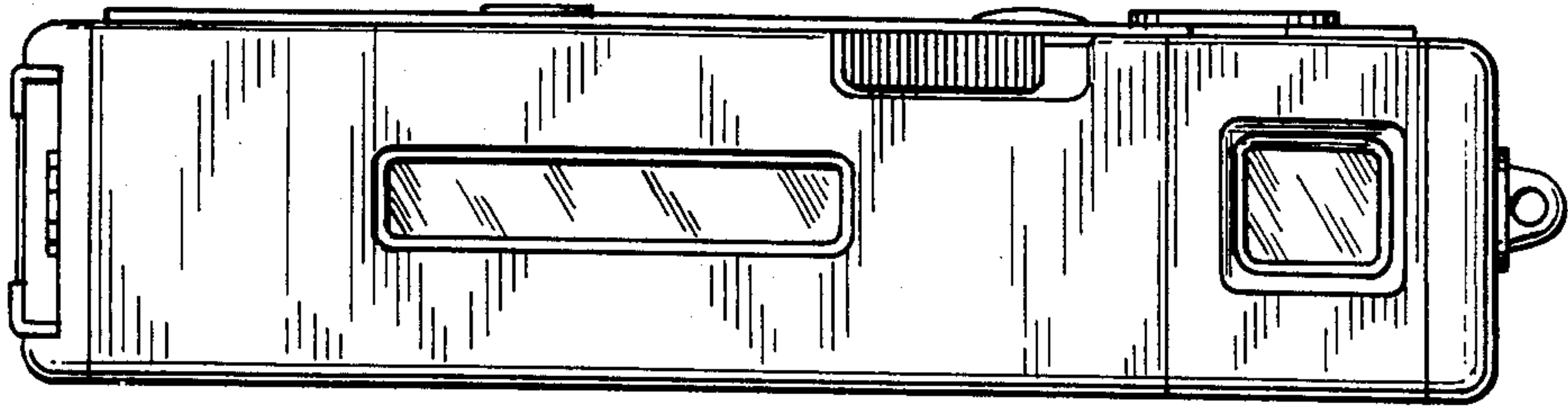


Fig. 5.

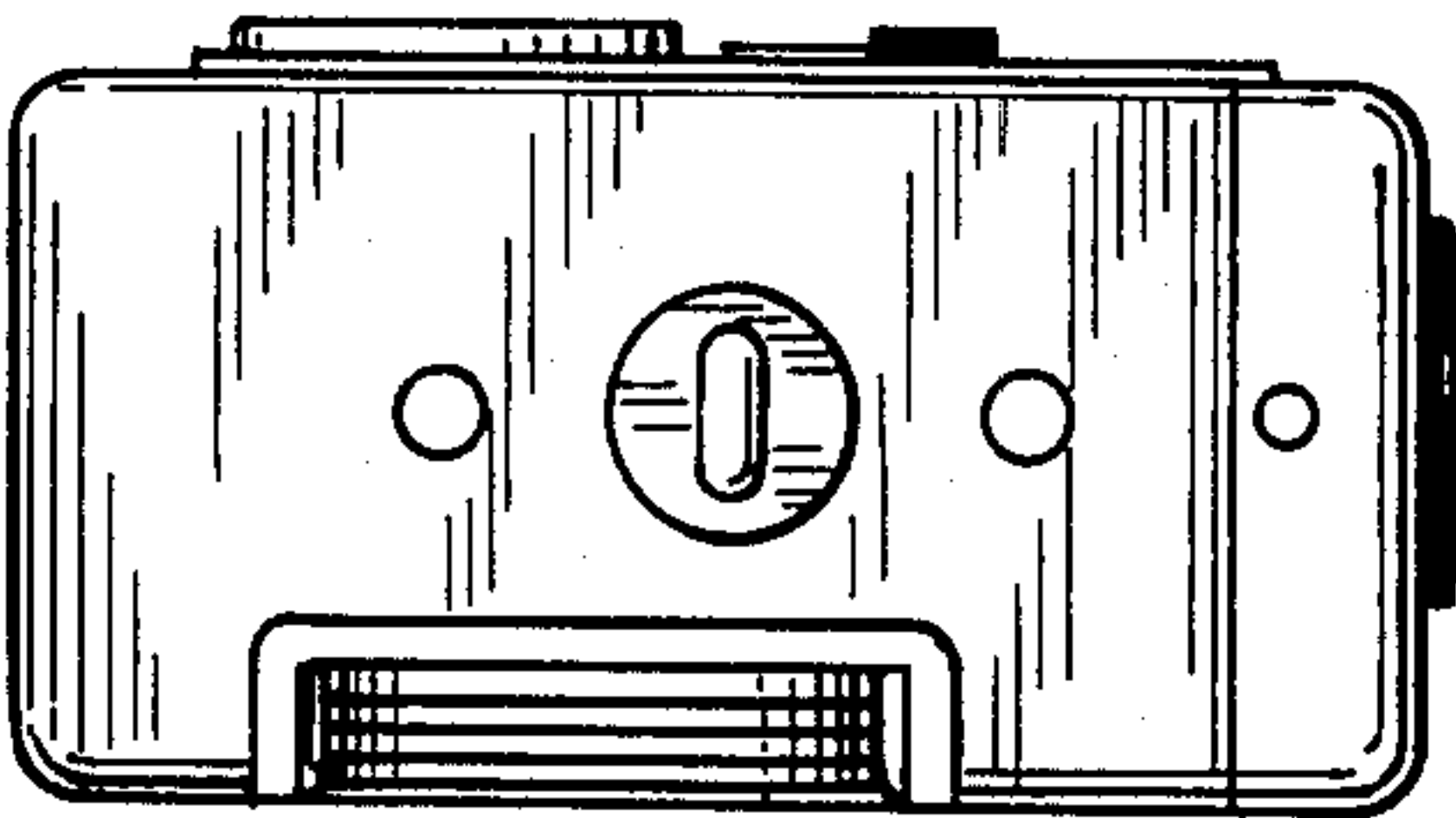


Fig. 6.

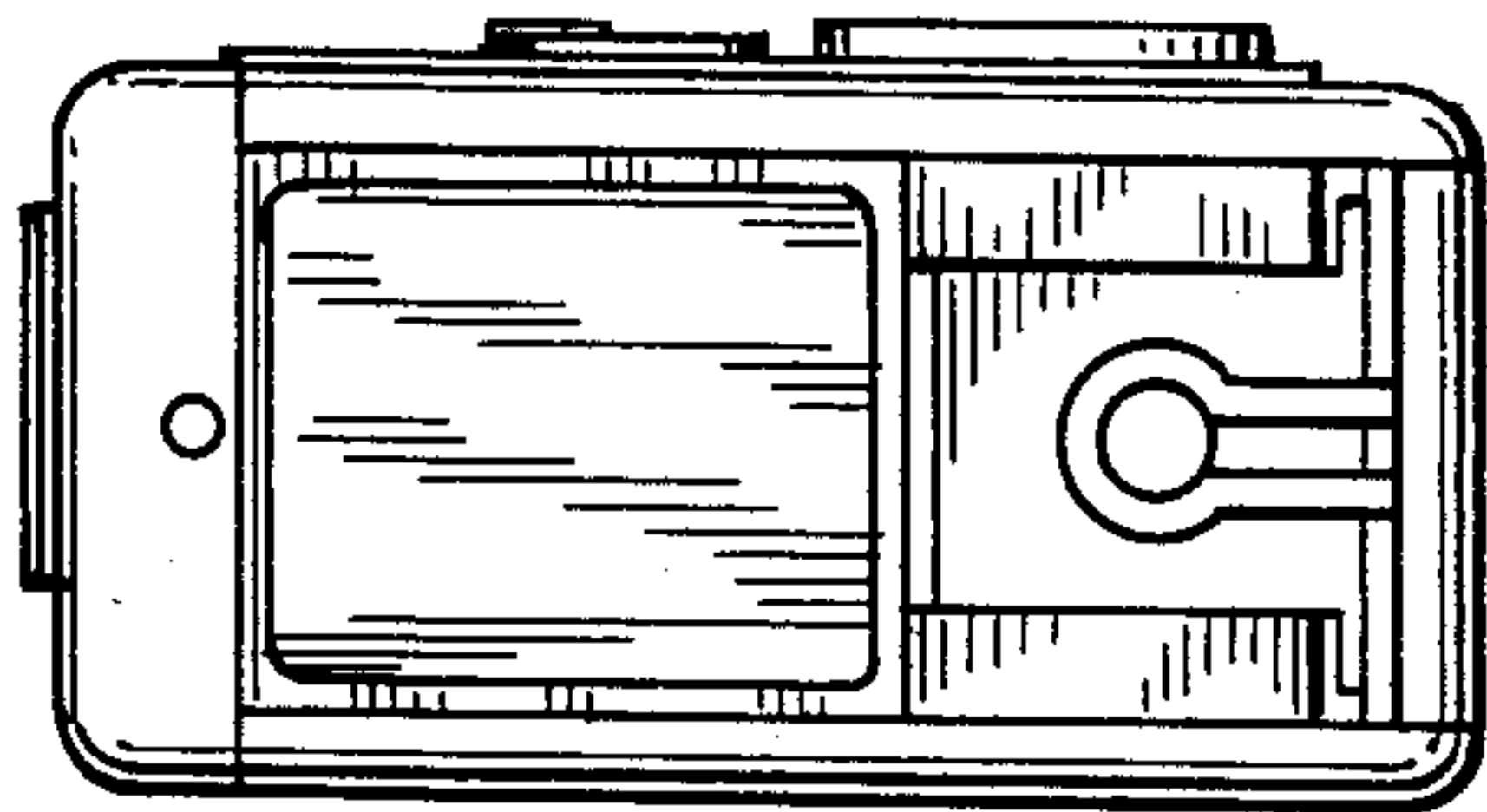


Fig. 7.

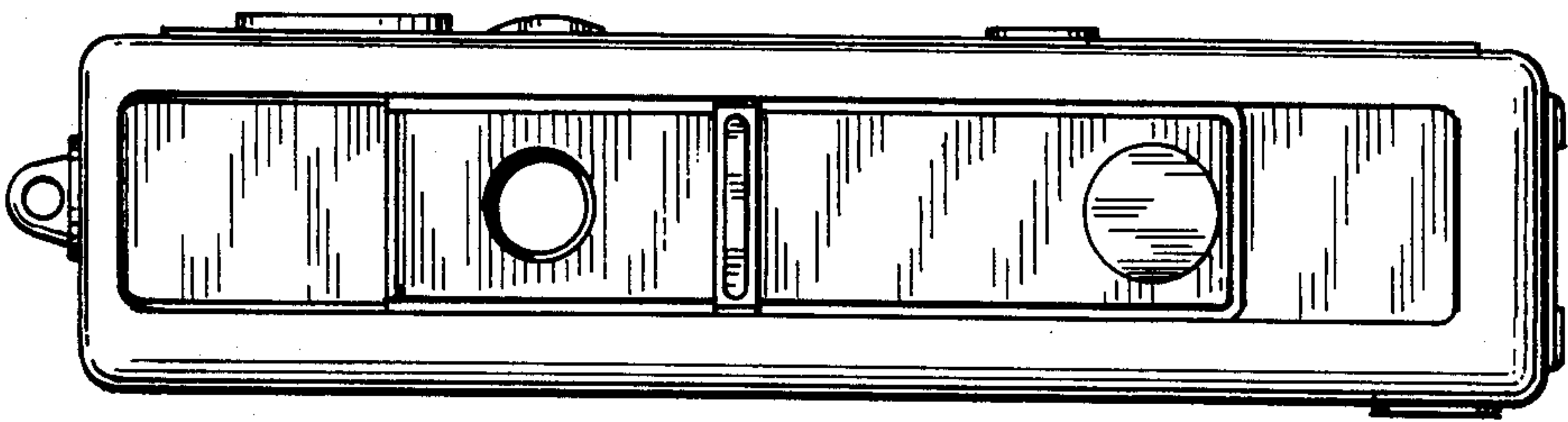


Fig. 8.

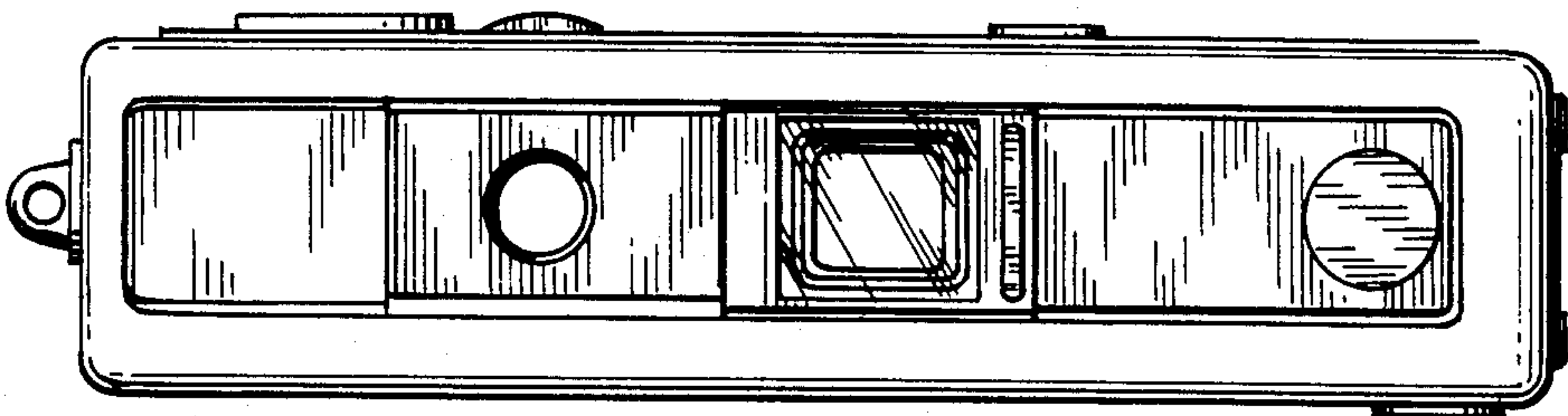




Fig. 9.

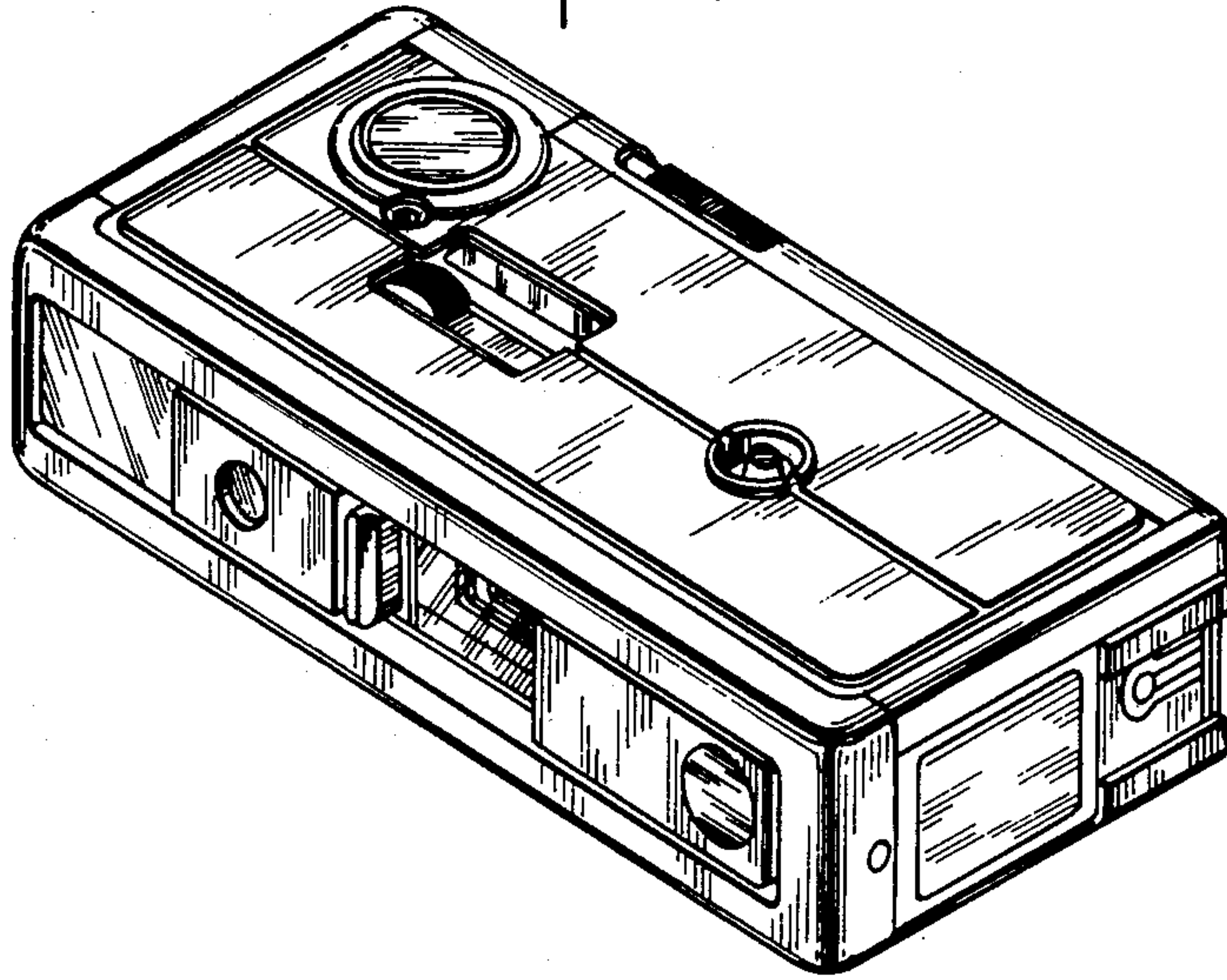
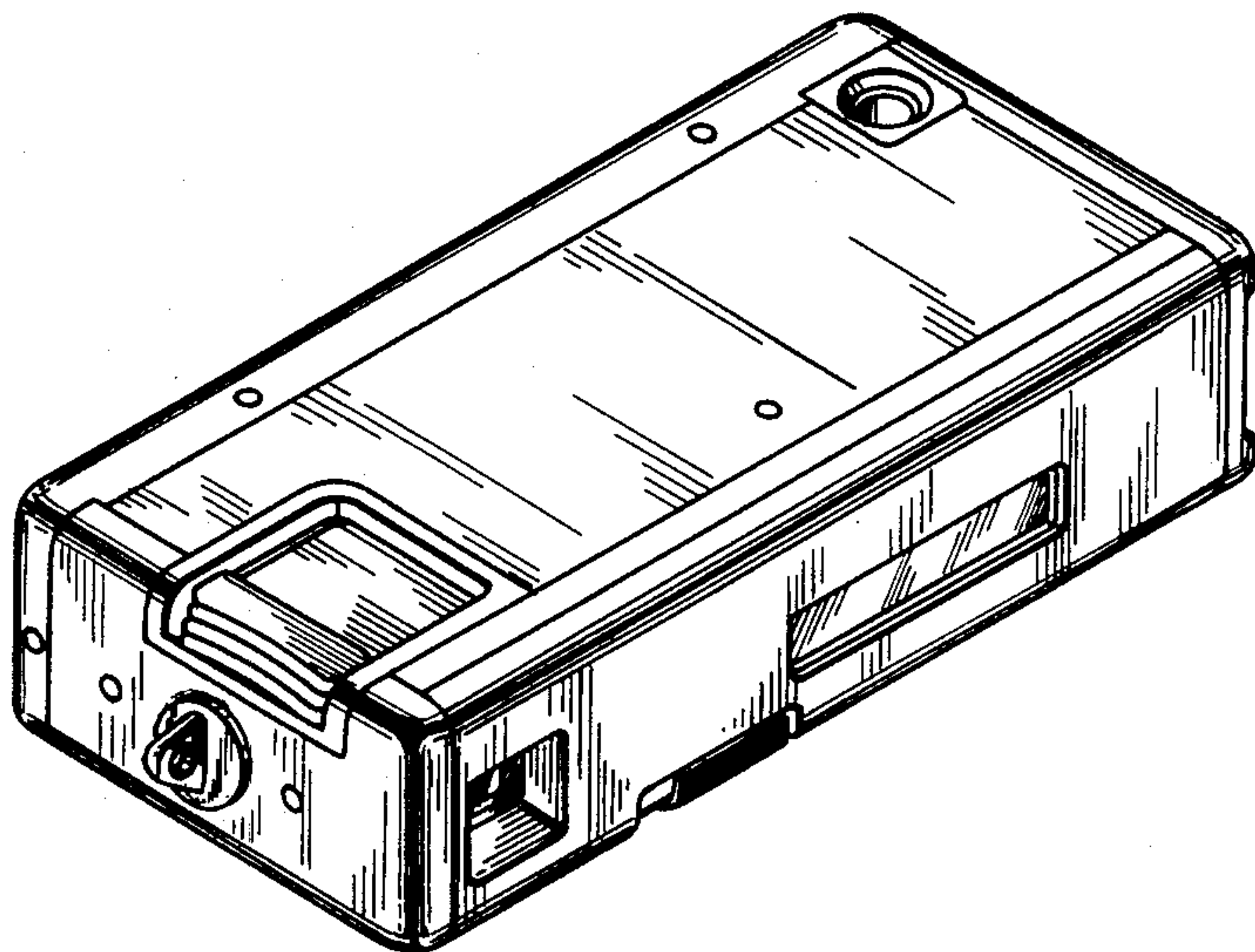


Fig. 10.



UNITED STATES PATENT AND TRADEMARK OFFICE  
CERTIFICATE OF CORRECTION

PATENT NO. : D-246,717  
DATED : December 20, 1977  
INVENTOR(S) : Tetsuro Ooya

It is certified that error appears in the above-identified patent and that said Letters Patent are hereby corrected as shown below:

--[73] Assignee: Minolta Camera Kabushiki Kaisha  
Osaka, Japan--

Signed and Sealed this

*Eighteenth Day of April 1978*

[SEAL]

*Attest:*

RUTH C. MASON  
*Attesting Officer*

LUTRELLE F. PARKER  
*Acting Commissioner of Patents and Trademarks*