

[54] CAR FRONT FENDER PANEL

[75] Inventor: Michel Tixier, Boulogne-Billancourt, France

[73] Assignee: Regie Nationale des Usines Renault, Boulogne-Billancourt, France

[**] Term: 14 Years

[21] Appl. No.: 597,819

[22] Filed: July 21, 1975

[30] Foreign Application Priority Data

Feb. 20, 1975 France 75.73636

[51] Int. Cl. D12-16

[52] U.S. Cl. D12/184

[58] Field of Search D12/91, 92, 196, 184; 296/28 R; 180/89 R; 280/152 R, 153 R, 153 A

[56] References Cited

PUBLICATIONS

Austro Motor, 10/73, p. 535, Renault 6, top of page, left front fender.

Austro Motor, 1/73, p. 47, left front fender on Renault, top right side of page.

Autocar, 6/8/74, p. 54, front fender of Renault 16TX, center of page.

Autocar, 6/8/74, p. 59, front fender of Renault 12TS, bottom left side of page.

Primary Examiner—Wallace R. Burke

Assistant Examiner—James M. Gandy

Attorney, Agent, or Firm—Martin Fleit

[57]

CLAIM

The ornamental design for a car front fender panel, as shown.

DESCRIPTION

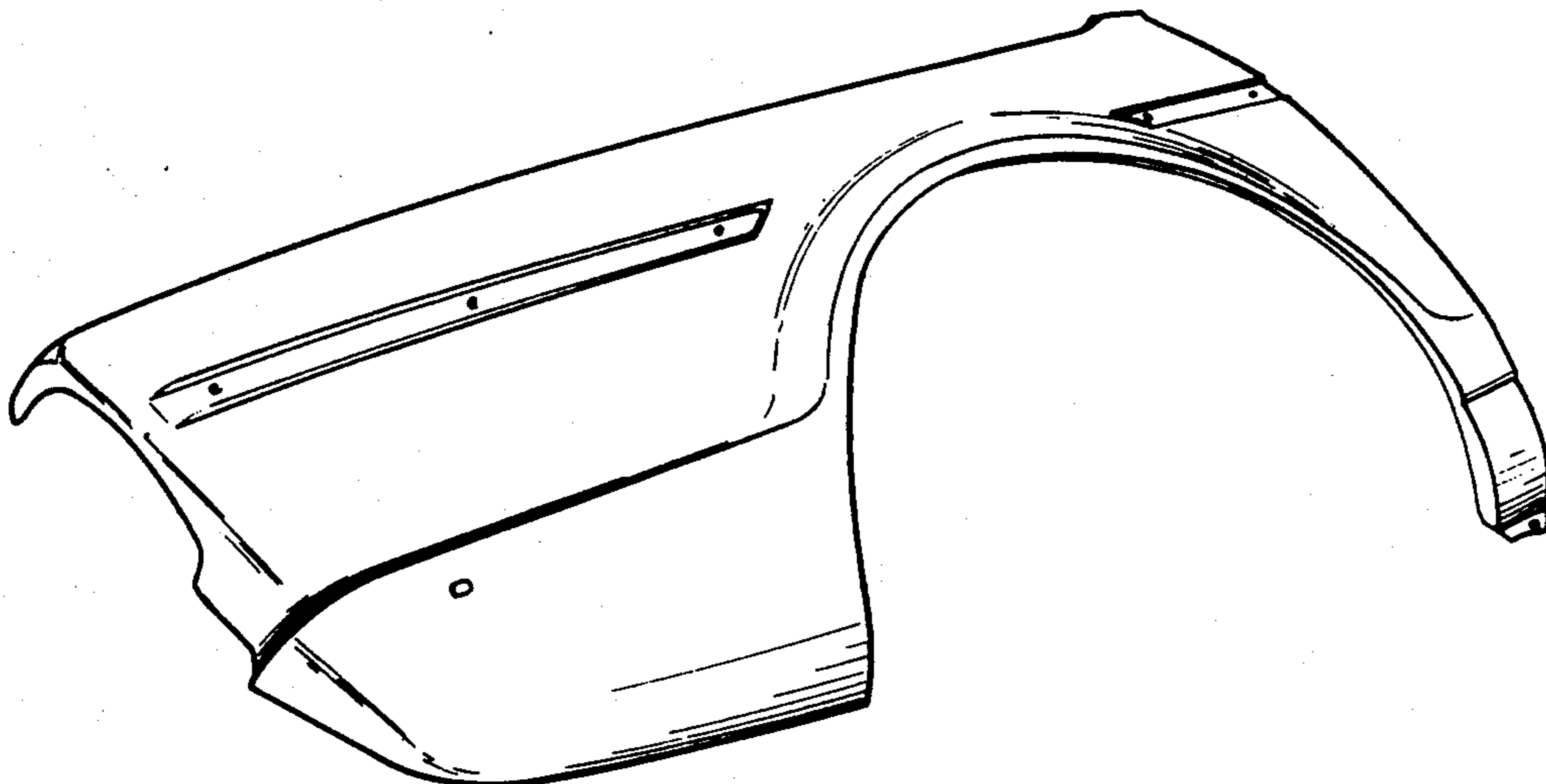
FIG. 1 is a side elevational view of a car front fender panel showing my new design;

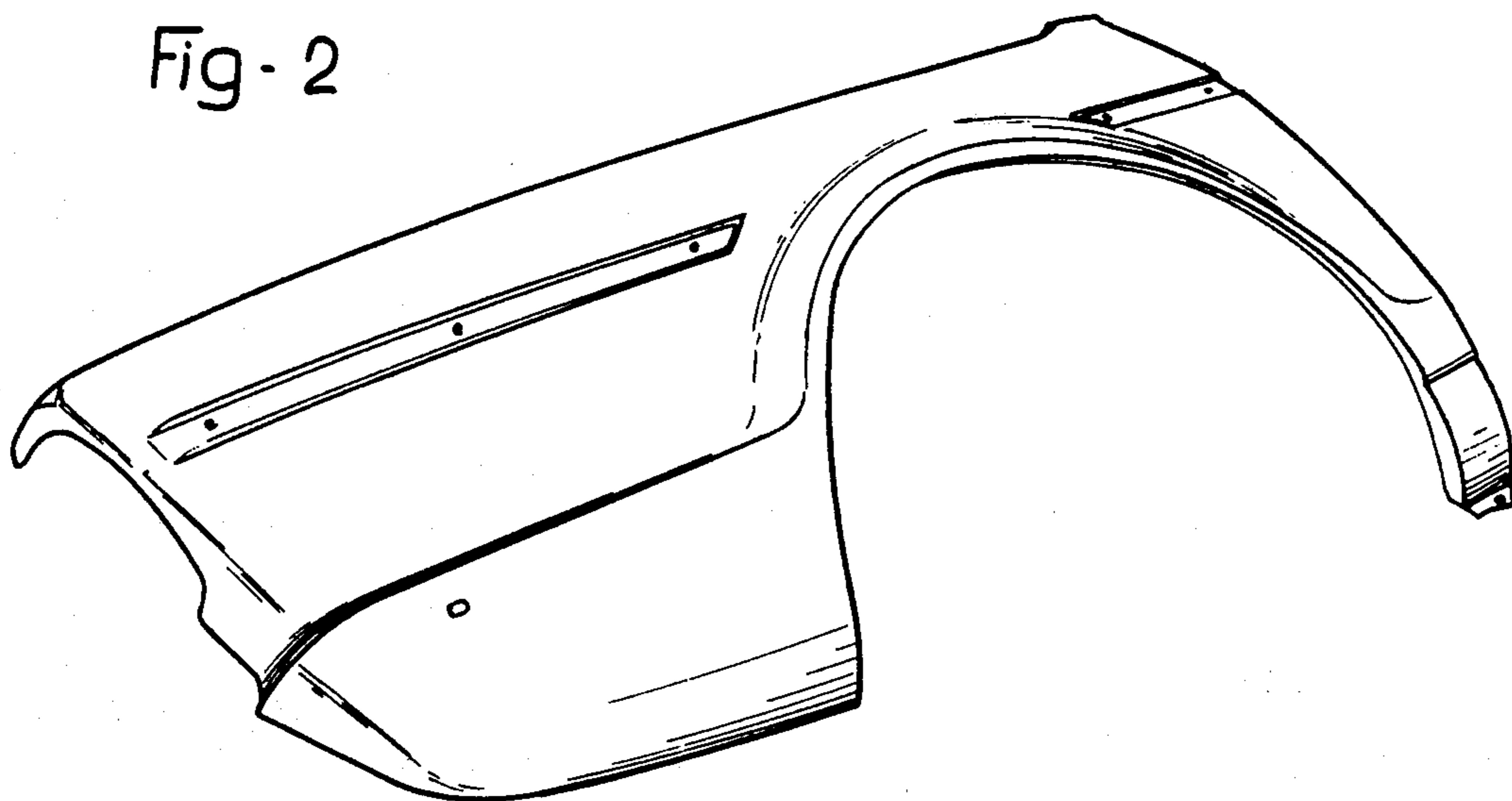
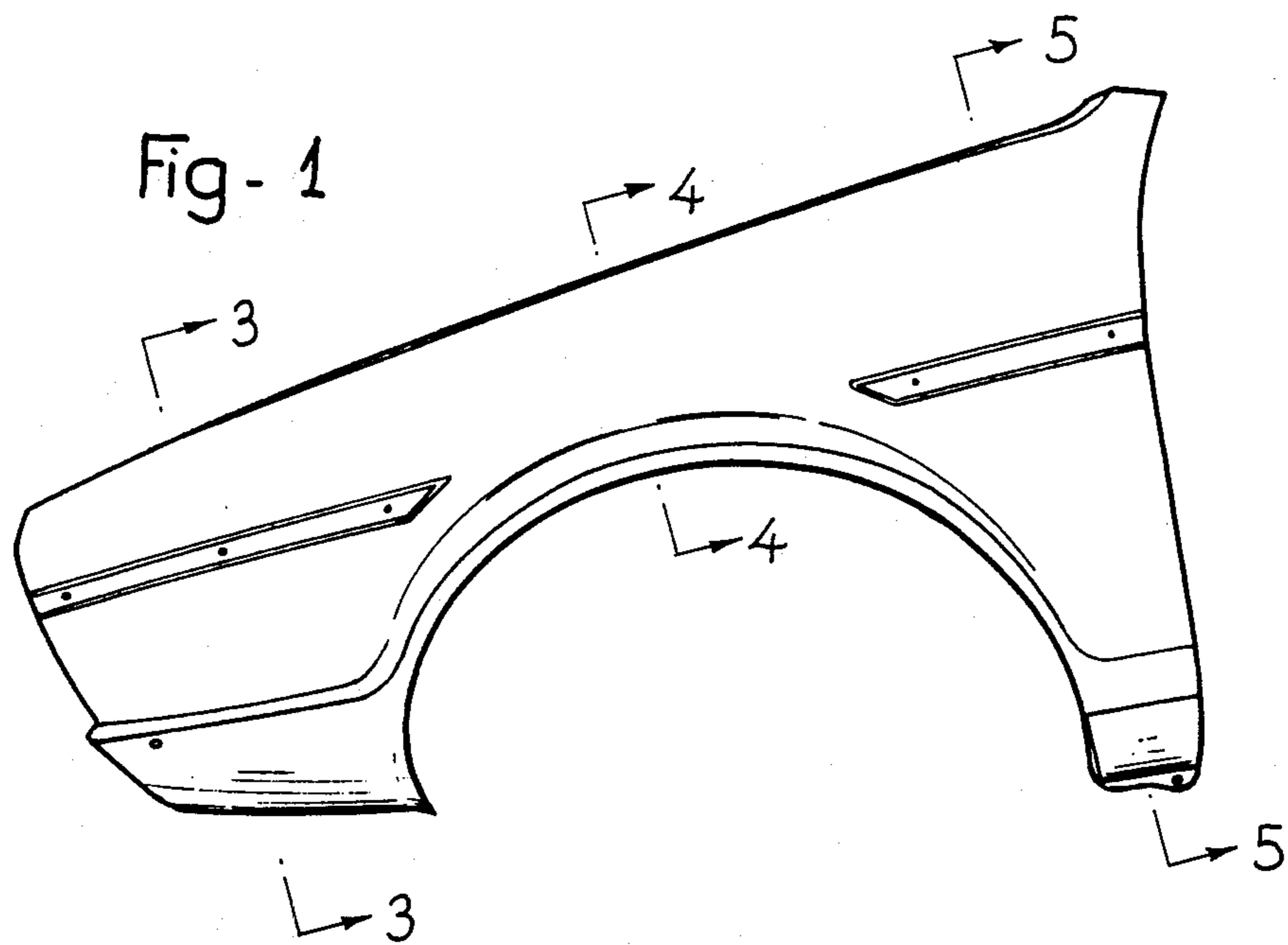
FIG. 2 is a front and side perspective view thereof;

FIG. 3 is an enlarged cross-sectional view thereof taken along line 3-3 in FIG. 1;

FIG. 4 is an enlarged cross-sectional view thereof taken along line 4-4 in FIG. 1; and

FIG. 5 is an enlarged cross-sectional view thereof taken along line 5-5 in FIG. 1.





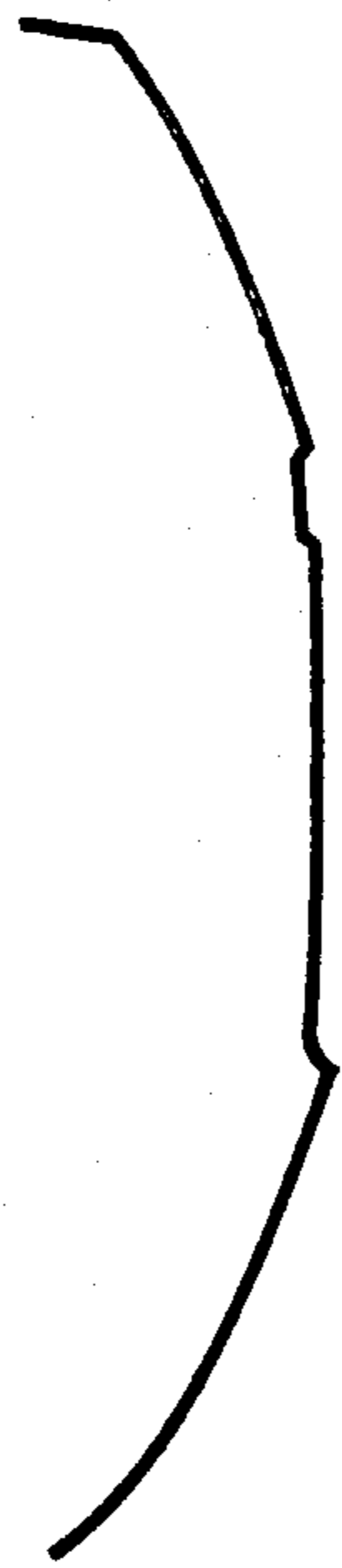


Fig-3

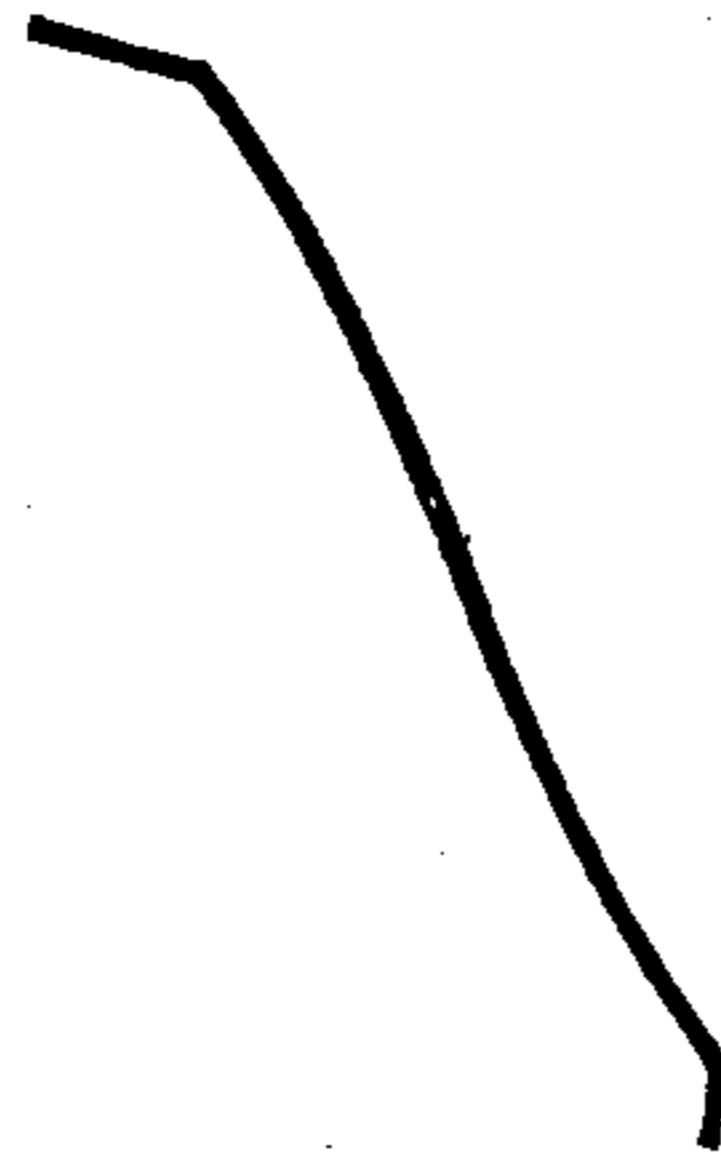


Fig-4

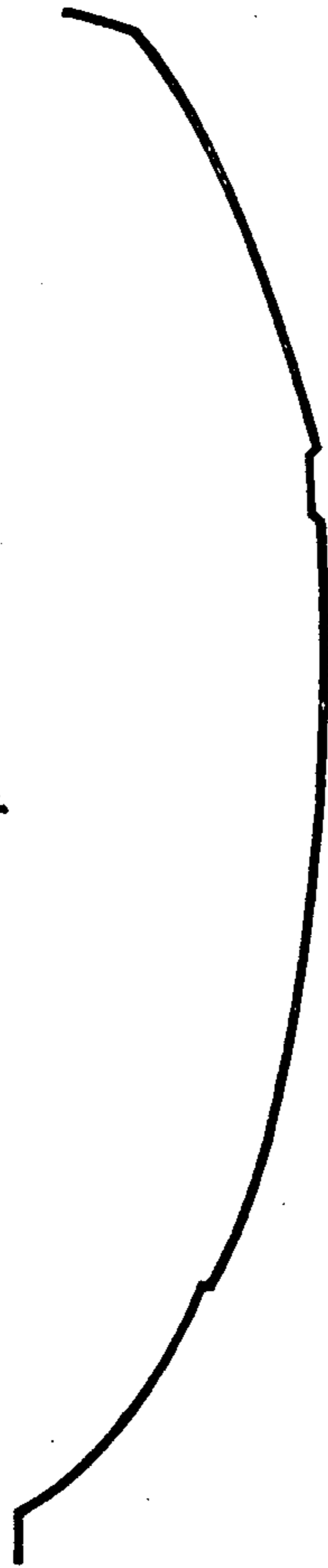


Fig-5