

[54] CAR REAR SIDE DOOR PANEL

[75] Inventor: Michel Tixier, Boulogne-Billancourt, France

[73] Assignee: Regie Nationale des Usines Renault, Boulogne-Billancourt, France

[**] Term: 14 Years

[21] Appl. No.: 597,871

[22] Filed: July 21, 1975

[30] Foreign Application Priority Data

Feb. 20, 1975 France 75.73,636

[51] Int. Cl. D12-16

[52] U.S. Cl. D12/196

[58] Field of Search D12/91, 92, 196; 296/28 R, 146-148, 150; 49/502

[56] References Cited

PUBLICATIONS

Autocar, 6/8/74, p. 45, rear side door of Renault 16TX, top of page.

Autocar, 5/25/74, p. 21, left rear side door of Renault 12, top right side of page.

Primary Examiner—Wallace R. Burke

Assistant Examiner—James M. Gandy

Attorney, Agent, or Firm—Martin Fleit

[57] CLAIM

The ornamental design for a car rear side door panel, as shown and described.

DESCRIPTION

FIG. 1 is a side elevational view of a car rear side door panel showing my new design;

FIG. 2 is a rear and side perspective view thereof;

FIG. 3 is an enlarged cross-sectional view thereof taken along the line 3-3 in FIG. 1; and

FIG. 4 is a front elevational view thereof.

The broken lines in the drawing are for illustrative purposes only.

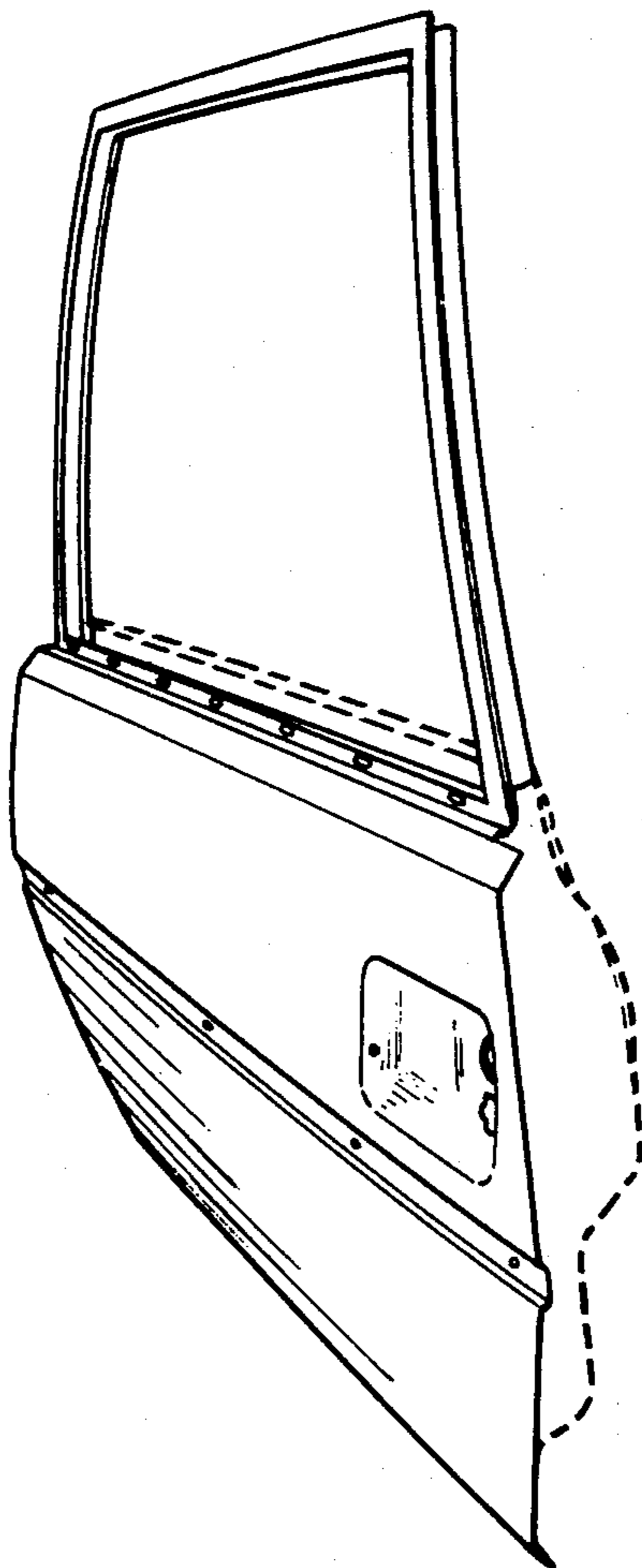


Fig - 1

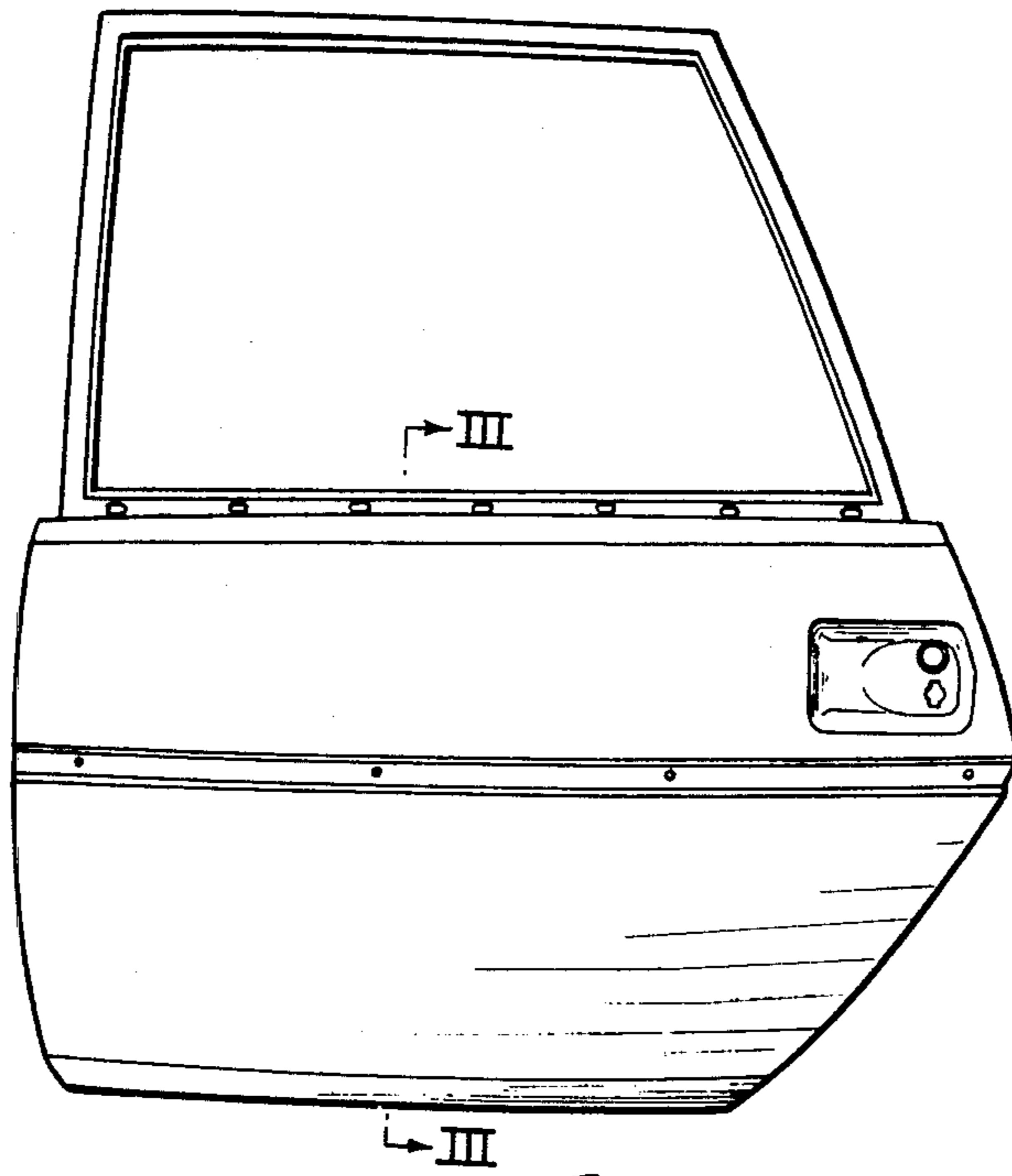
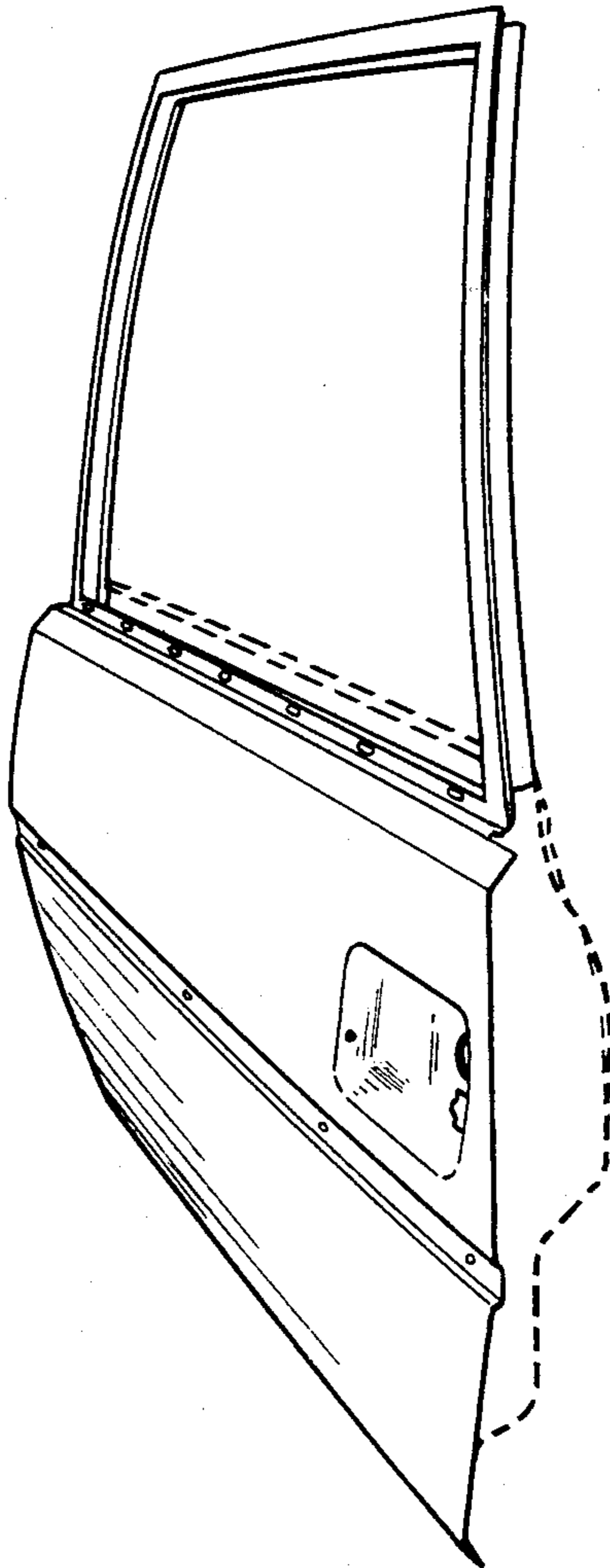


Fig - 2



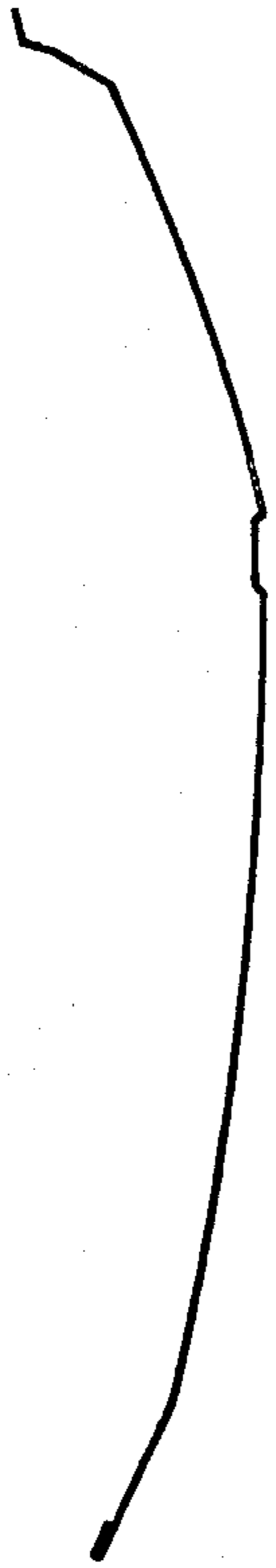


Fig - 3

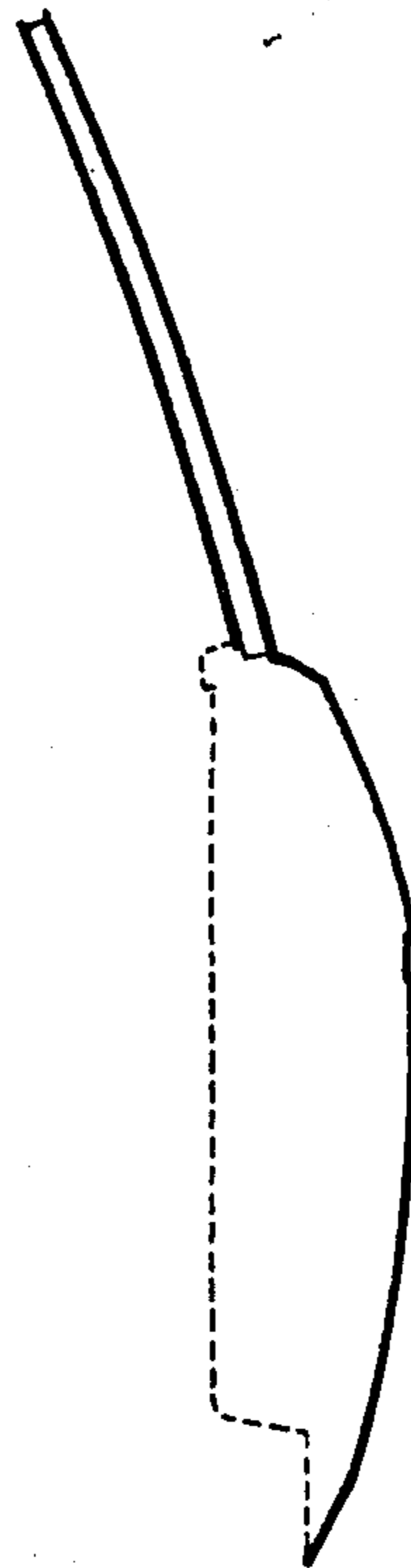


Fig - 4