

[54] **COMBINED AIR FOIL AND RETRACTABLE AWNING**

[75] Inventor: **Donald S. McKee**, Louisville, Colo.
 [73] Assignee: **The Scott & Fetzer Company**,
 Lakewood, Ohio
 [**] Term: **14 Years**
 [21] Appl. No.: **718,922**
 [22] Filed: **Aug. 30, 1976**

[51] Int. Cl. **D12-16**
 [52] U.S. Cl. **D12/155**
 [58] Field of Search **D12/181, 155, 106;**
D25/57; 296/15, 91, 37, 137 J; 160/22, 66, 45;
135/5 AT

[56] **References Cited**

U.S. PATENT DOCUMENTS

D. 179,283	11/1956	Dietz	D25/57
D. 220,478	4/1971	Shelton	D25/57
1,981,897	11/1934	Bishop	296/137 J
3,364,973	1/1968	Railson	160/22
3,647,257	3/1972	Litchfield	296/91
3,833,011	9/1974	Duffy	160/22

FOREIGN PATENT DOCUMENTS

1,315,182	4/1973	United Kingdom	296/1 S
-----------	--------	----------------------	---------

OTHER PUBLICATIONS

J. C. Whitney Catalog No. 347, rec'd. 5/4/76, p. 52,
 Rear Deck Spoiler, lower right side of page.

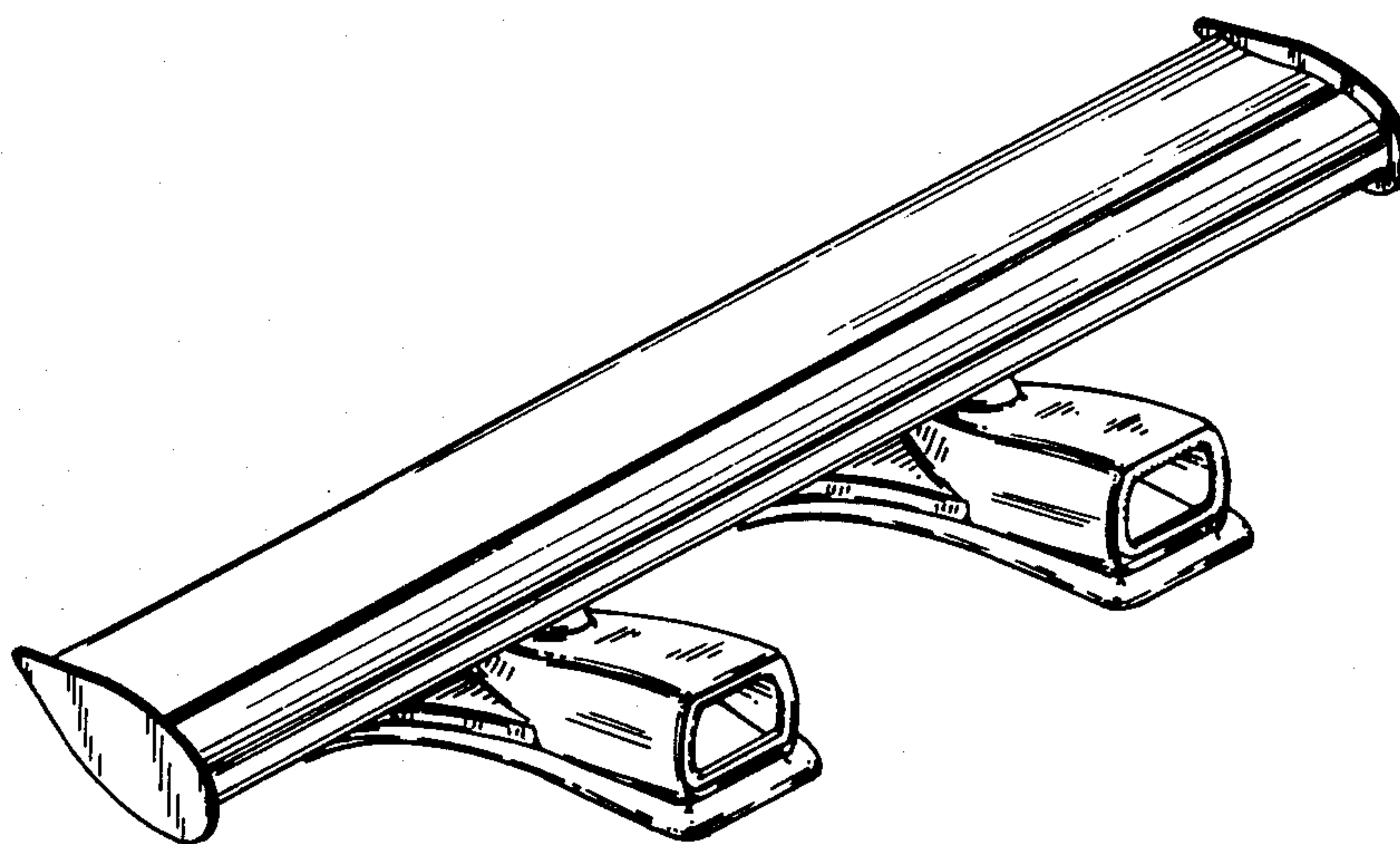
Primary Examiner—Wallace R. Burke
Assistant Examiner—James M. Gandy
Attorney, Agent, or Firm—Gary M. Polumbus

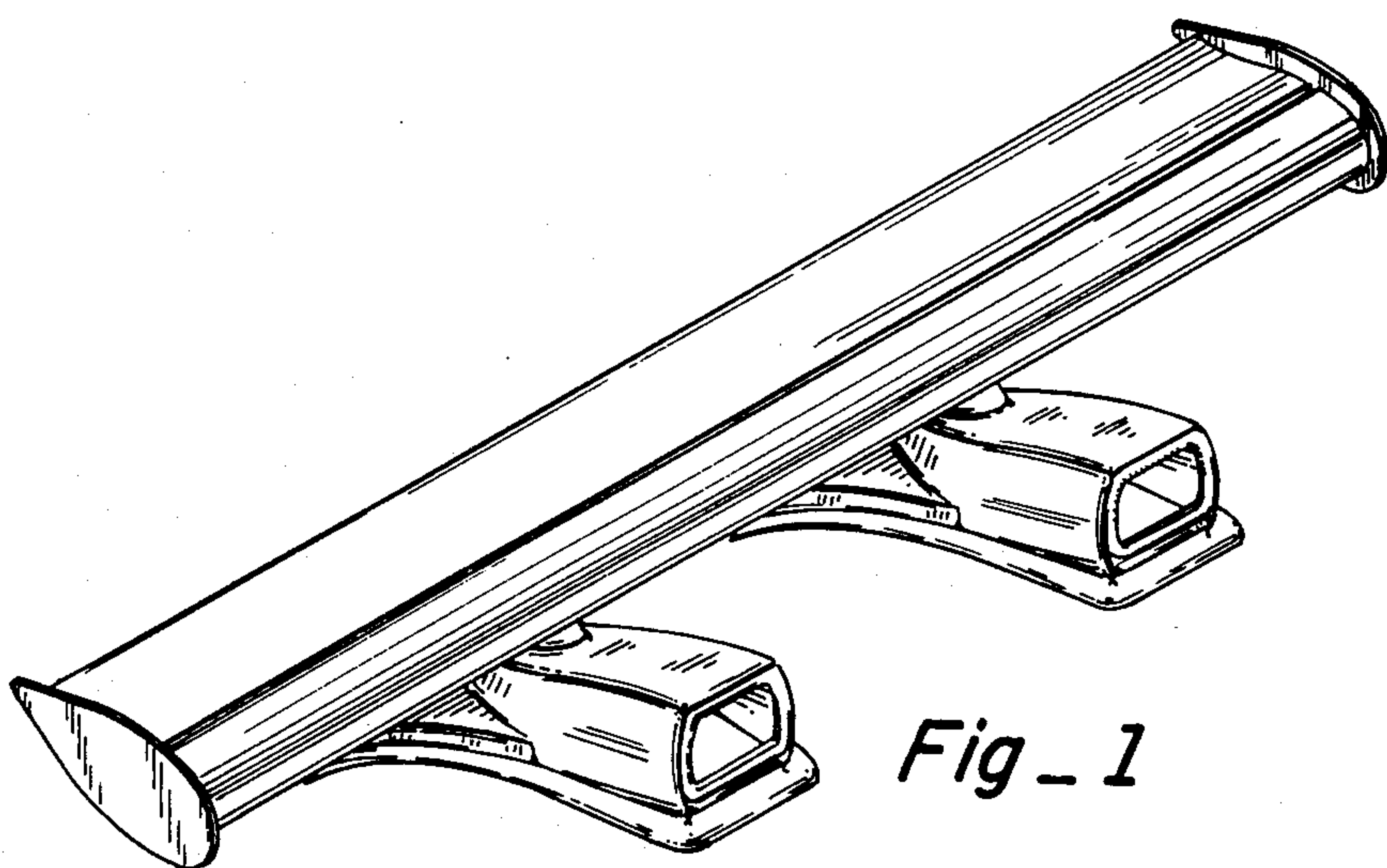
[57] **CLAIM**

The ornamental design for a combined air foil and retractable awning, as shown.

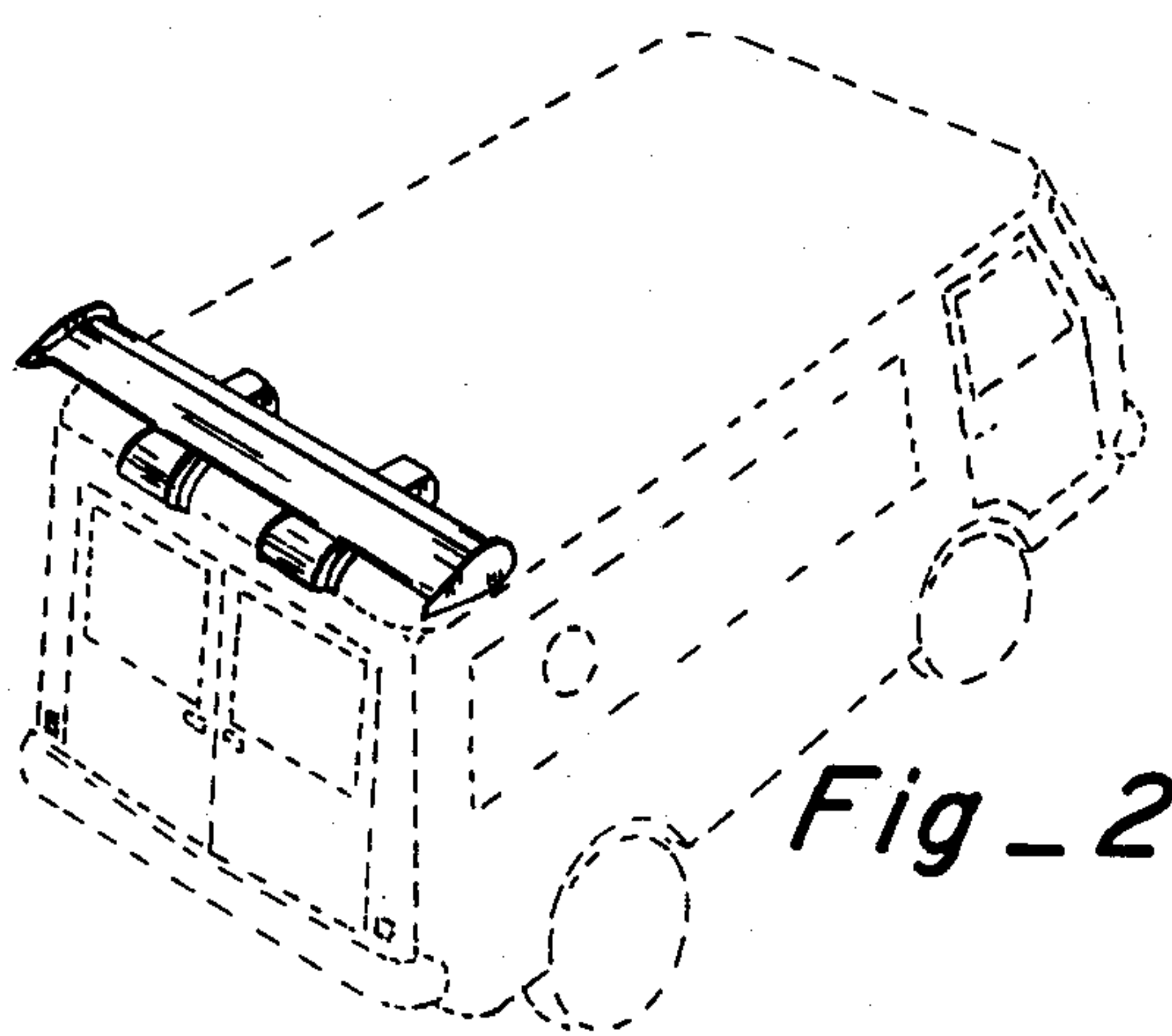
DESCRIPTION

FIG. 1 is a front perspective view of a combined air foil and retractable awning showing my new design;
 FIG. 2 is a rear perspective view thereof on a greatly reduced scale, it being understood that the broken lines are for illustrative purposes only;
 FIG. 3 is an end elevational view thereof;
 FIG. 4 is a top plan view thereof;
 FIG. 5 is a front elevational view thereof;
 FIG. 6 is a bottom plan view thereof;
 FIG. 7 is a rear elevational view thereof;
 FIG. 8 is a sectional view thereof taken along line 8—8 in FIG. 4; and
 FIG. 9 is a rear perspective view of FIG. 2 with the awning and one of the collapsible support rods shown in extended position.

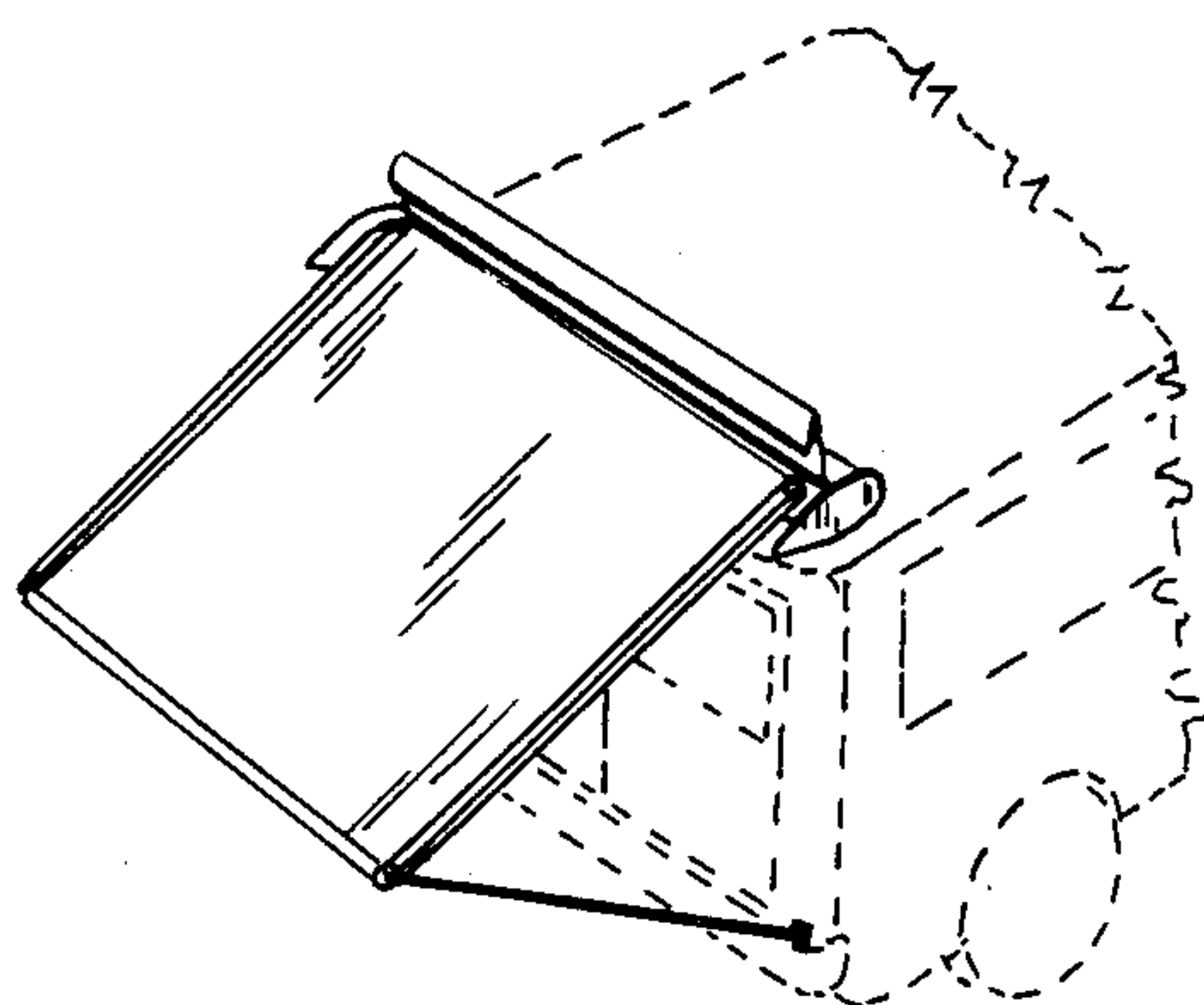




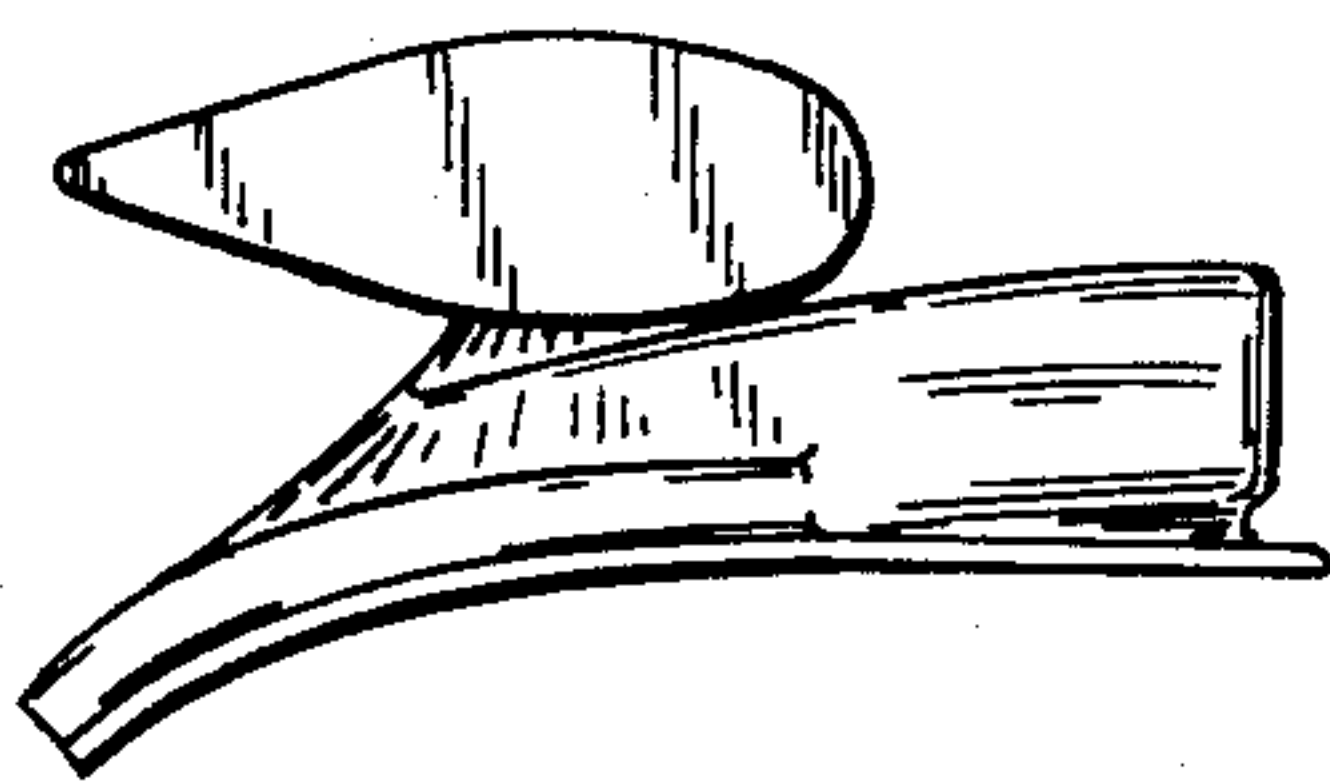
Fig_1



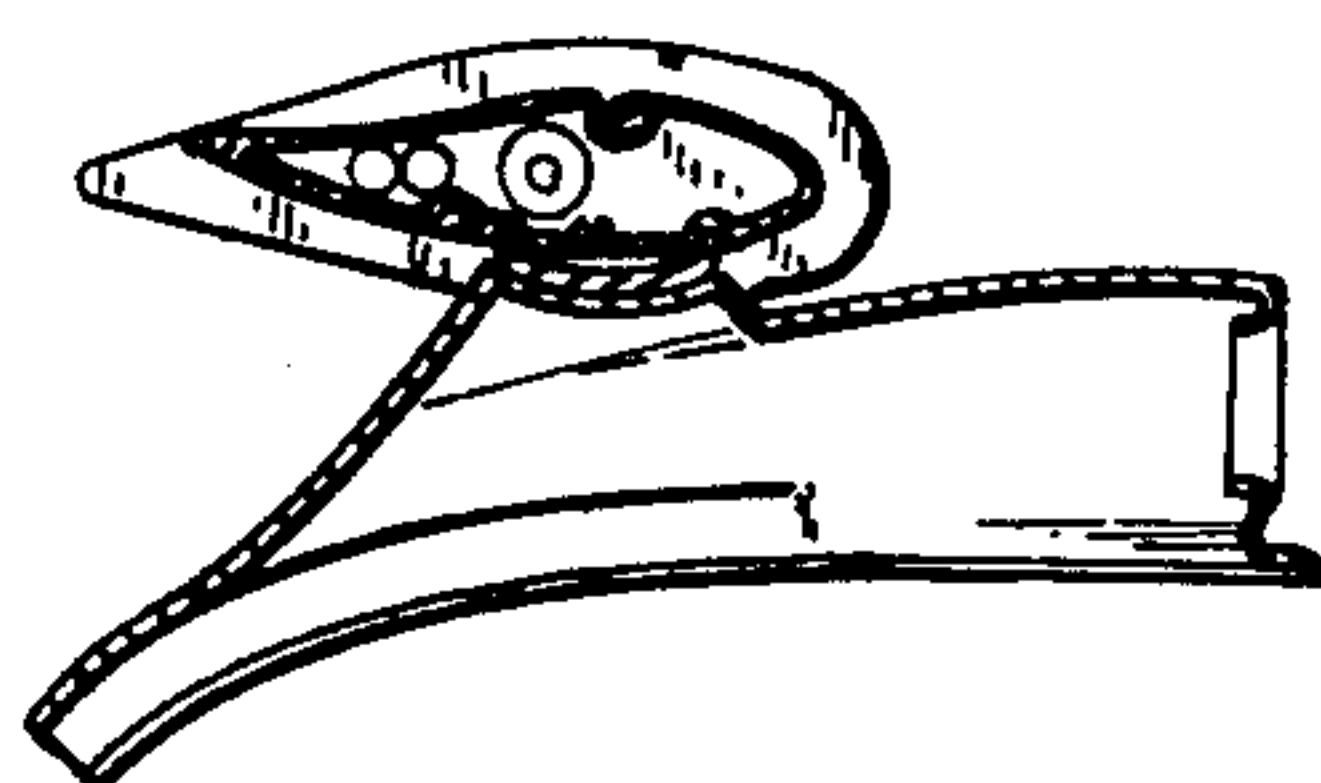
Fig_2



Fig_9



Fig_3



Fig_8

