

[54] VENDOR'S CART BODY

[76] Inventor: John Martorano, 437 W. Merchant St., Audubon, N.J. 08106

[**] Term: 14 Years

[21] Appl. No.: 698,877

[22] Filed: June 23, 1976

[51] Int. Cl. D12-02

[52] U.S. Cl. D12/22

[58] Field of Search D12/22, 26, 33; 296/22, 296/24 A

[56] References Cited

U.S. PATENT DOCUMENTS

D. 28,994	7/1898	Mundy	D12/33
D. 60,395	2/1922	Brockman	D12/26
496,663	5/1893	Miller	D12/33

Primary Examiner—Wallace R. Burke
Assistant Examiner—James M. Gandy
Attorney, Agent, or Firm—Warren L. Soffian

[57] CLAIM

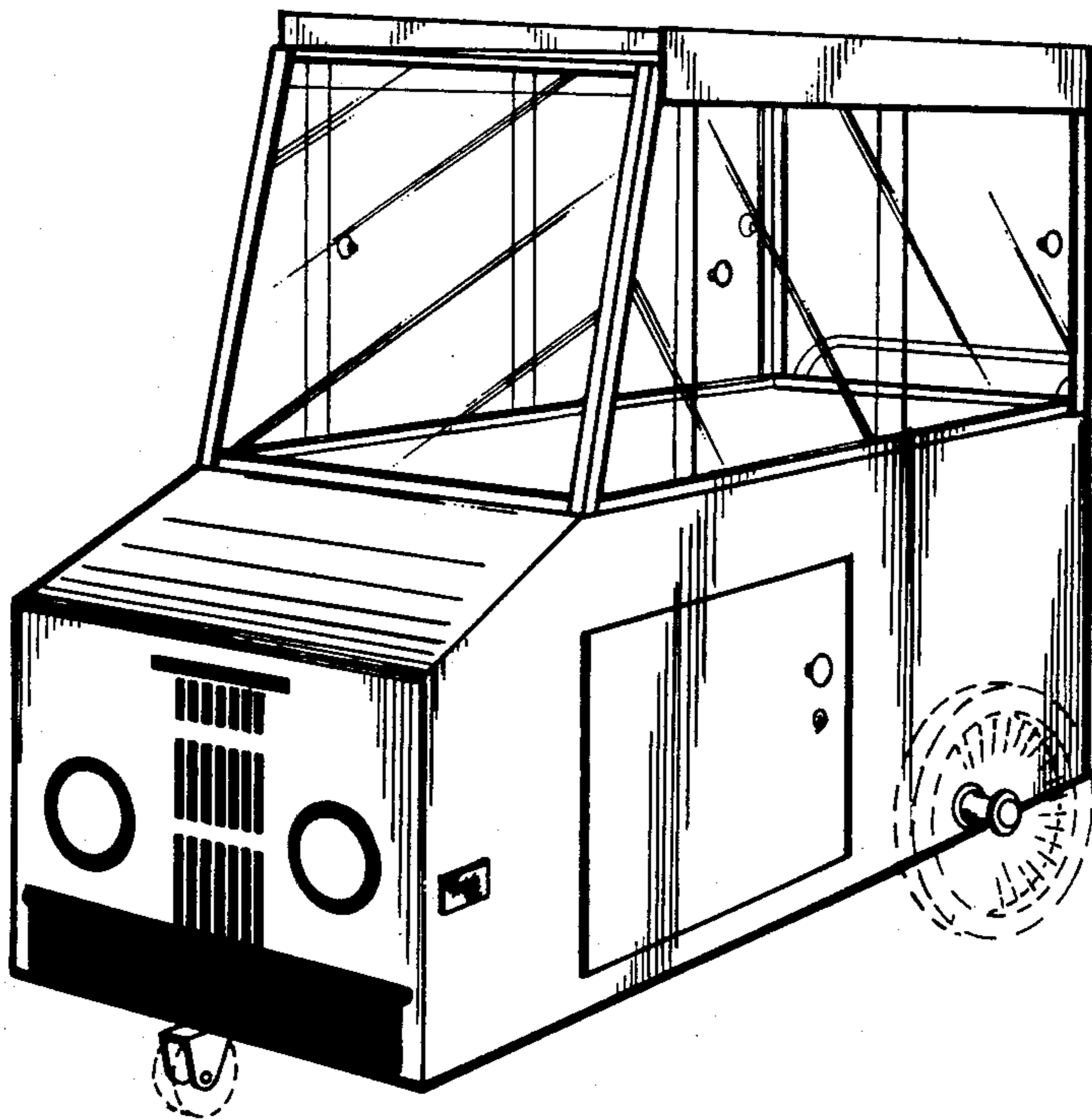
The ornamental design for a vendor's cart body, substantially as shown and described.

DESCRIPTION

FIG. 1 is a right front perspective view of a vendor's cart body showing my new design; FIG. 2 is a left rear perspective view thereof; FIG. 3 is a right front perspective view thereof with the right side door in open condition; and FIG. 4 is a left rear perspective view thereof with the left side and rear door in open condition.

The top of the vendor's cart body is substantially flat and unornamented.

The broken lines in the drawing are for illustrative purposes only.



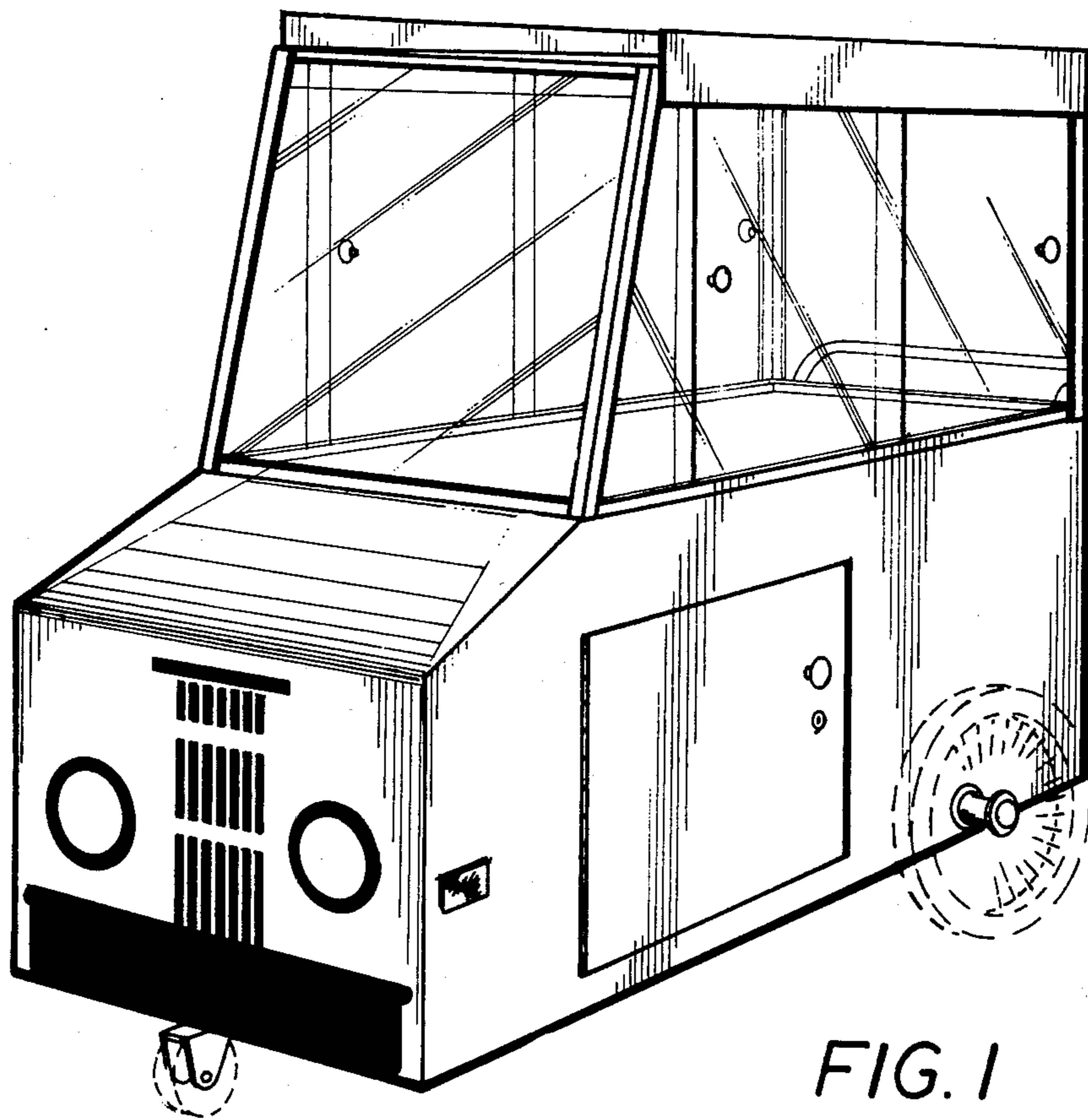


FIG. 1

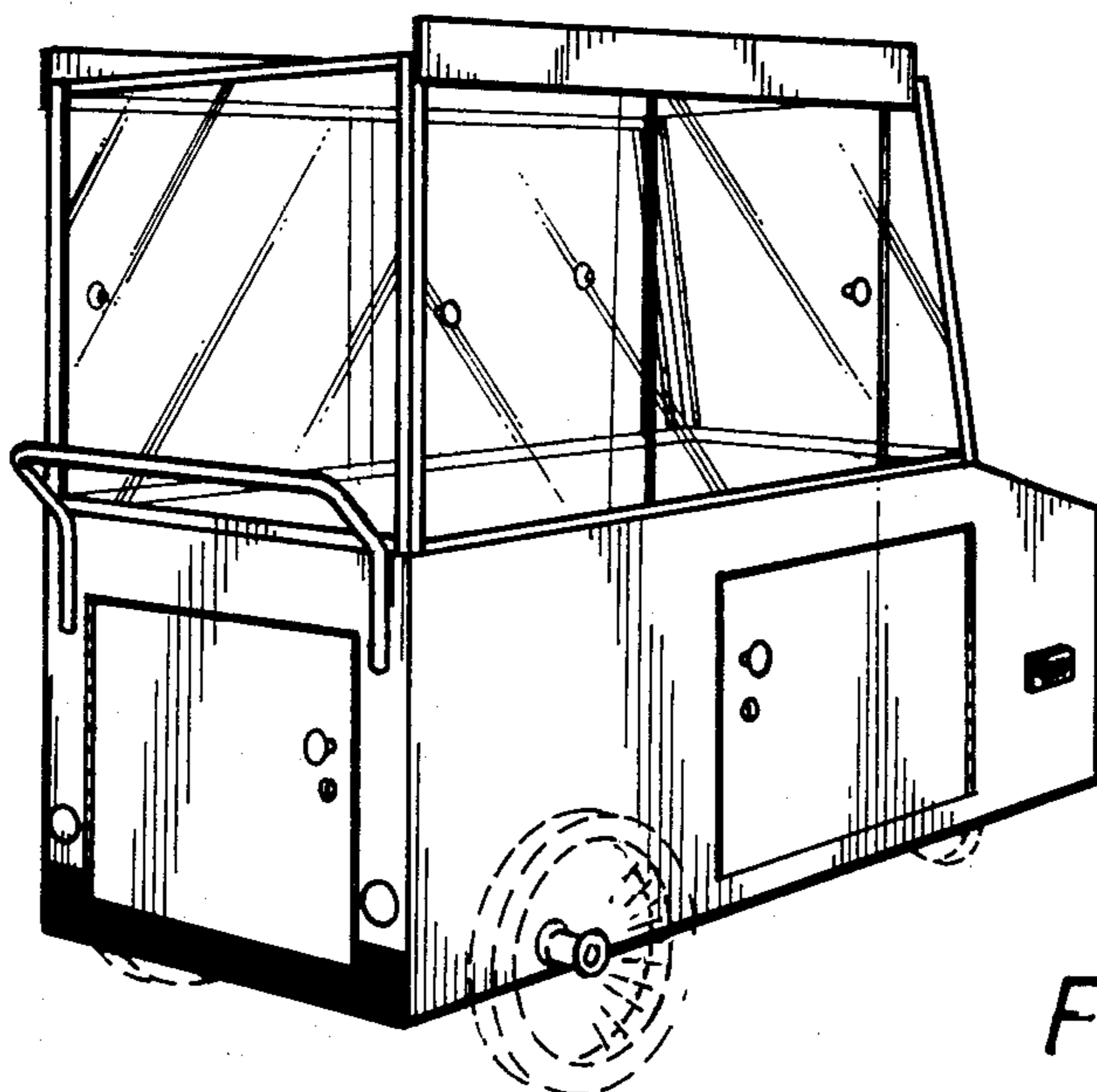


FIG. 2

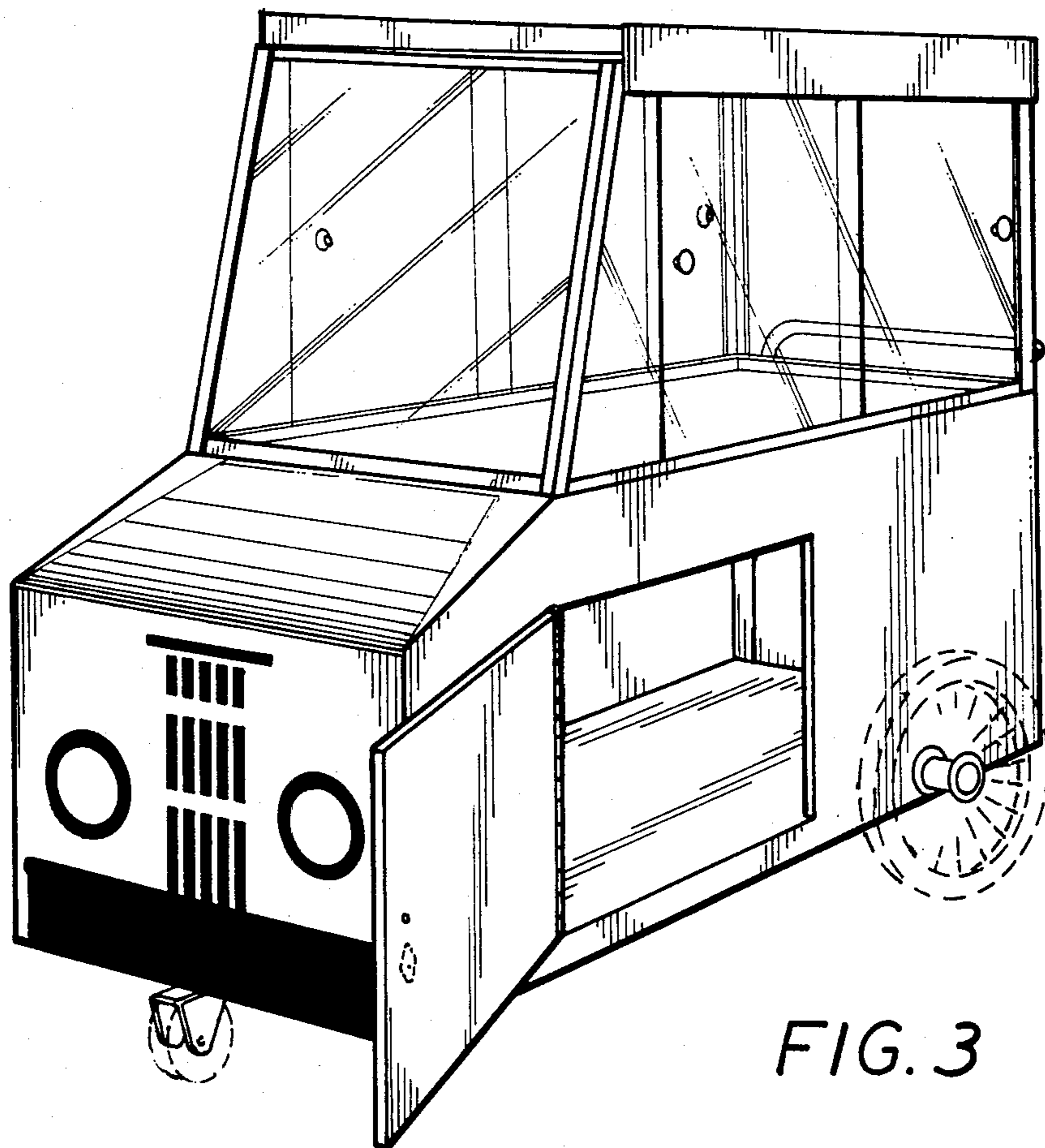


FIG. 3

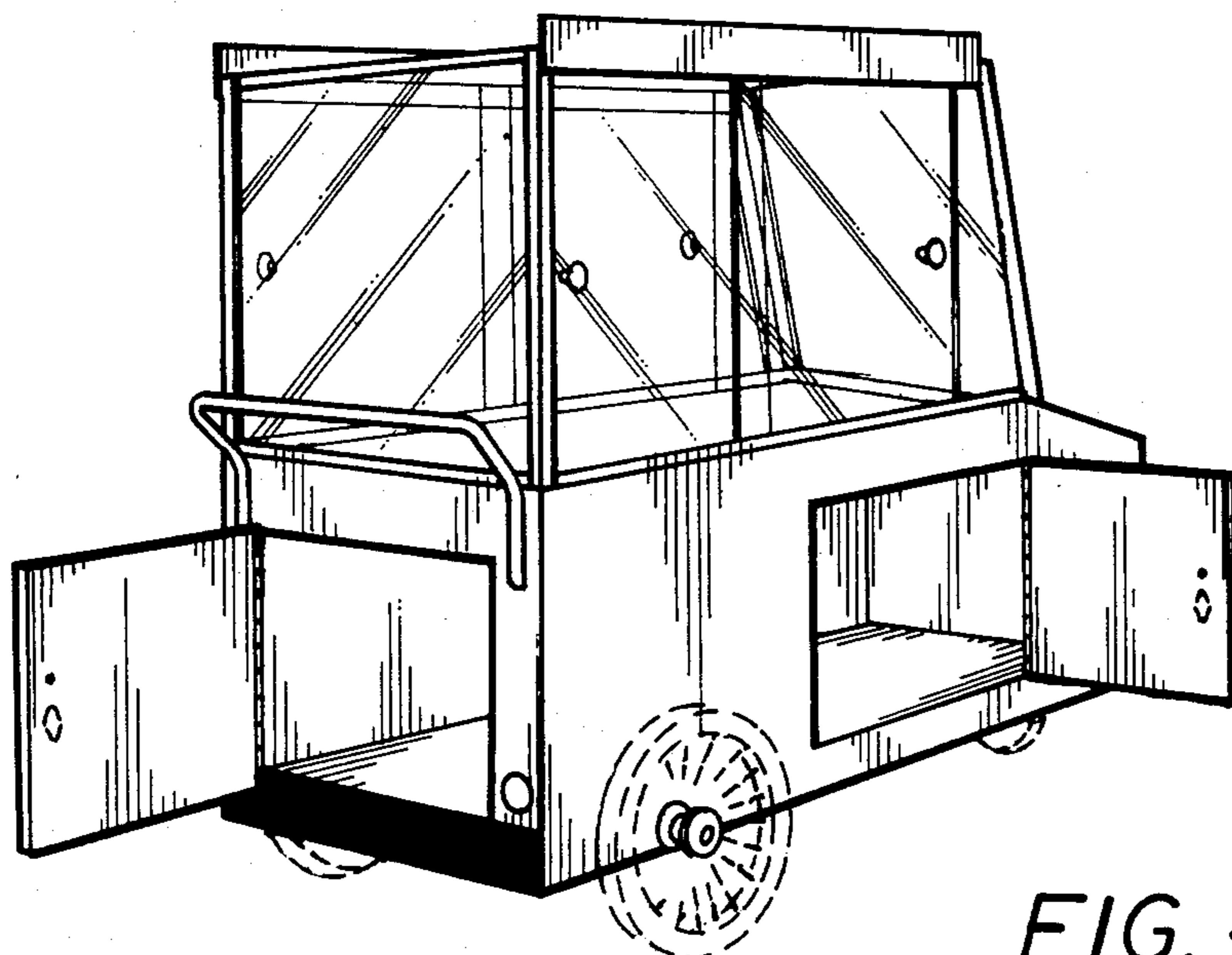


FIG. 4