

[54] REVERSIBLE SAFETY CAP AND SCREW CAP FOR CONTAINERS

3,189,169 6/1965 Davidson 215/228 X
3,407,954 10/1968 Millis D9/265 X
3,977,557 8/1976 Hazard 215/330 X

[76] Inventor: Glenn H. Morris, 4203 Highwood Drive, Chattanooga, Tenn. 37415

Primary Examiner—Robert C. Spangler
Attorney, Agent, or Firm—Rupert J. Brady

[**] Term: 14 Years

[21] Appl. No.: 690,961

[57] CLAIM

The ornamental design for a reversible safety cap and screw cap for containers, substantially as shown.

[22] Filed: May 28, 1976

DESCRIPTION

[51] Int. Cl. D9-07

[52] U.S. Cl. D9/284

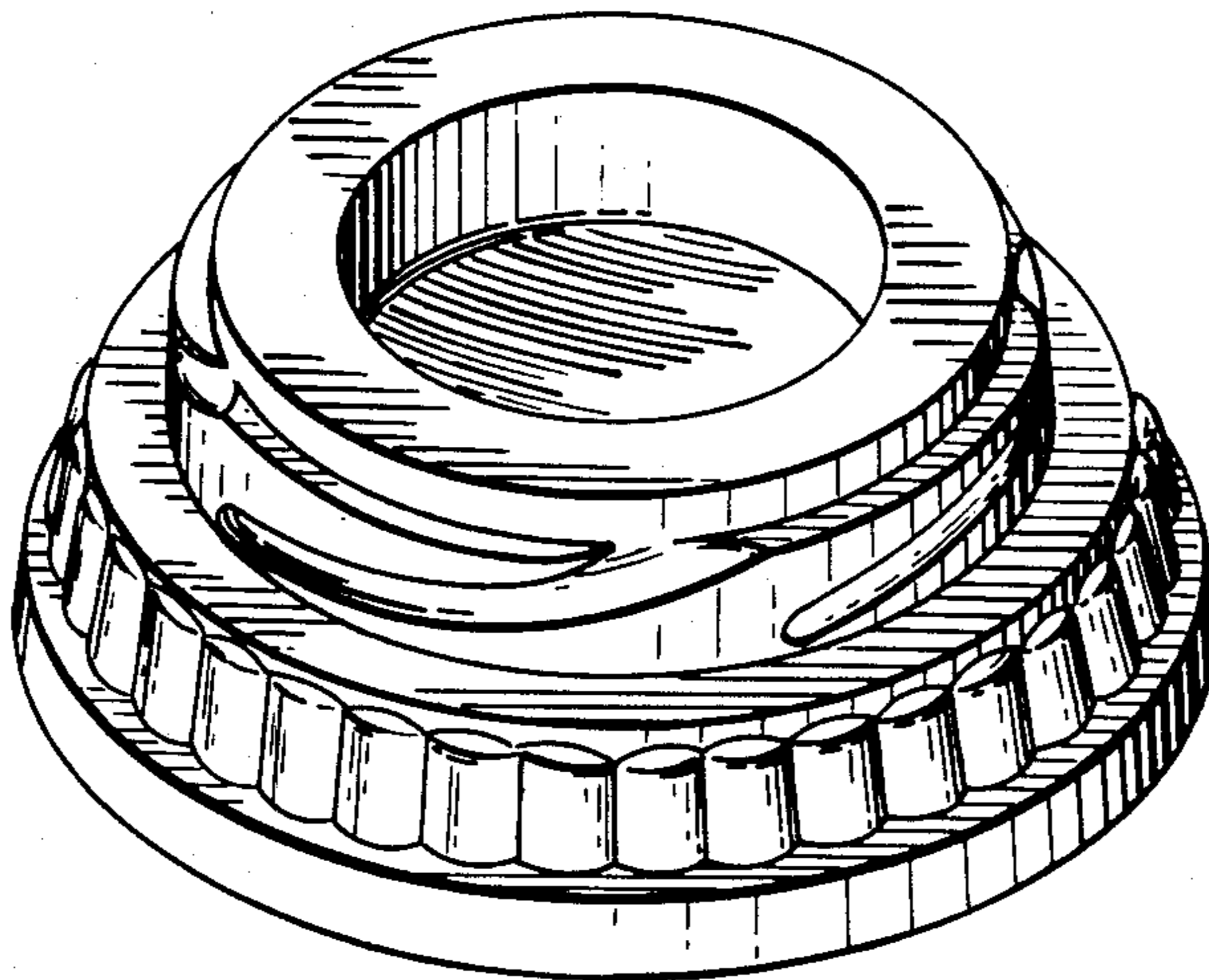
[58] Field of Search 215/31, 228, 330;
D9/254, 284-288

FIG. 1 is a top perspective view of a reversible safety cap and screw cap for containers showing my new design, the view showing the top and one side thereof; FIG. 2 is a bottom perspective view showing the bottom and the same side thereof; FIG. 3 is a top plan view thereof; FIG. 4 is a bottom plan view thereof; and FIG. 5 is a side elevational view showing the side opposite that seen in FIGS. 1 and 2.

[56] References Cited

U.S. PATENT DOCUMENTS

D. 223,812 6/1972 Long D9/287
D. 228,888 10/1973 Feldman D9/287



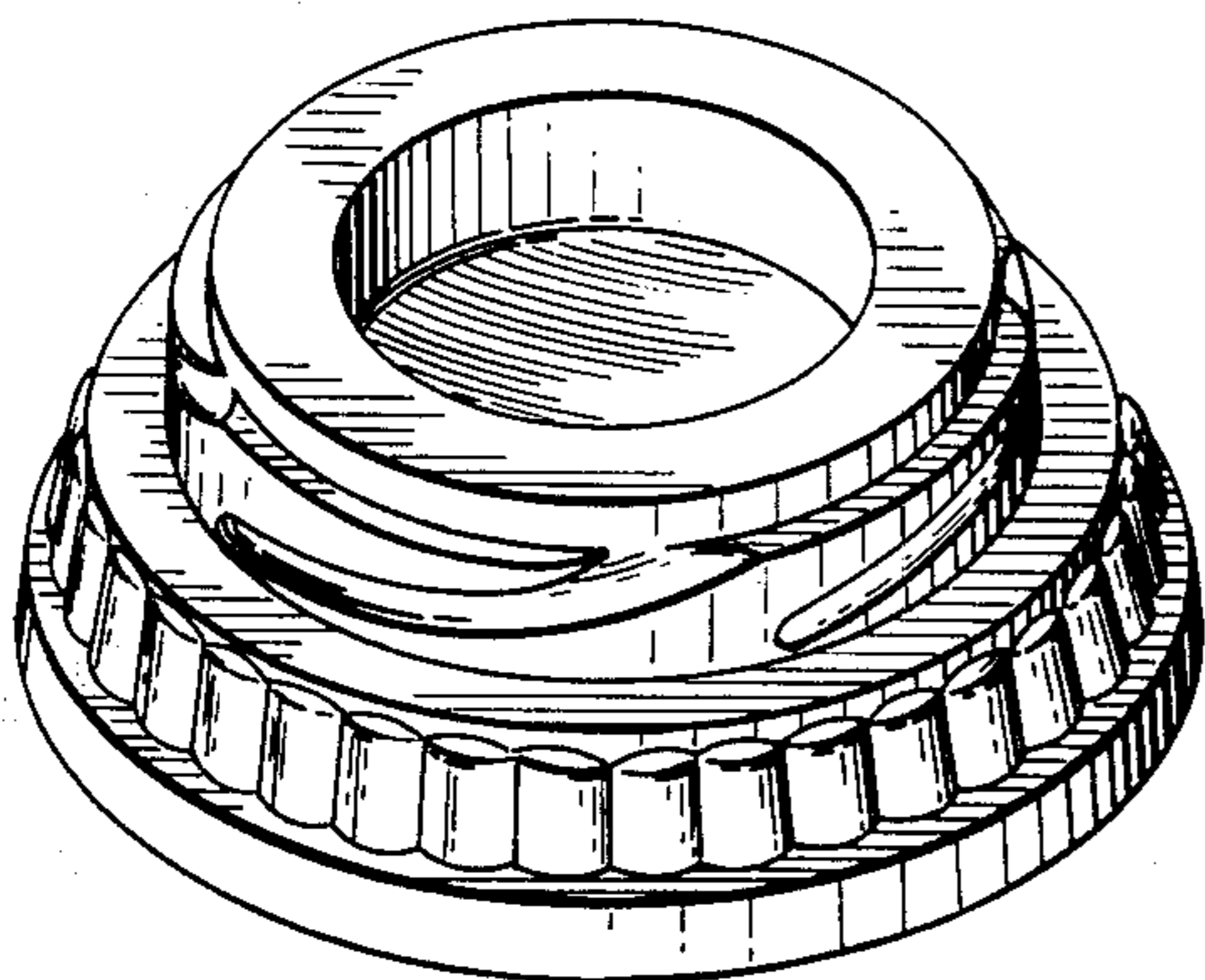


FIG. 1

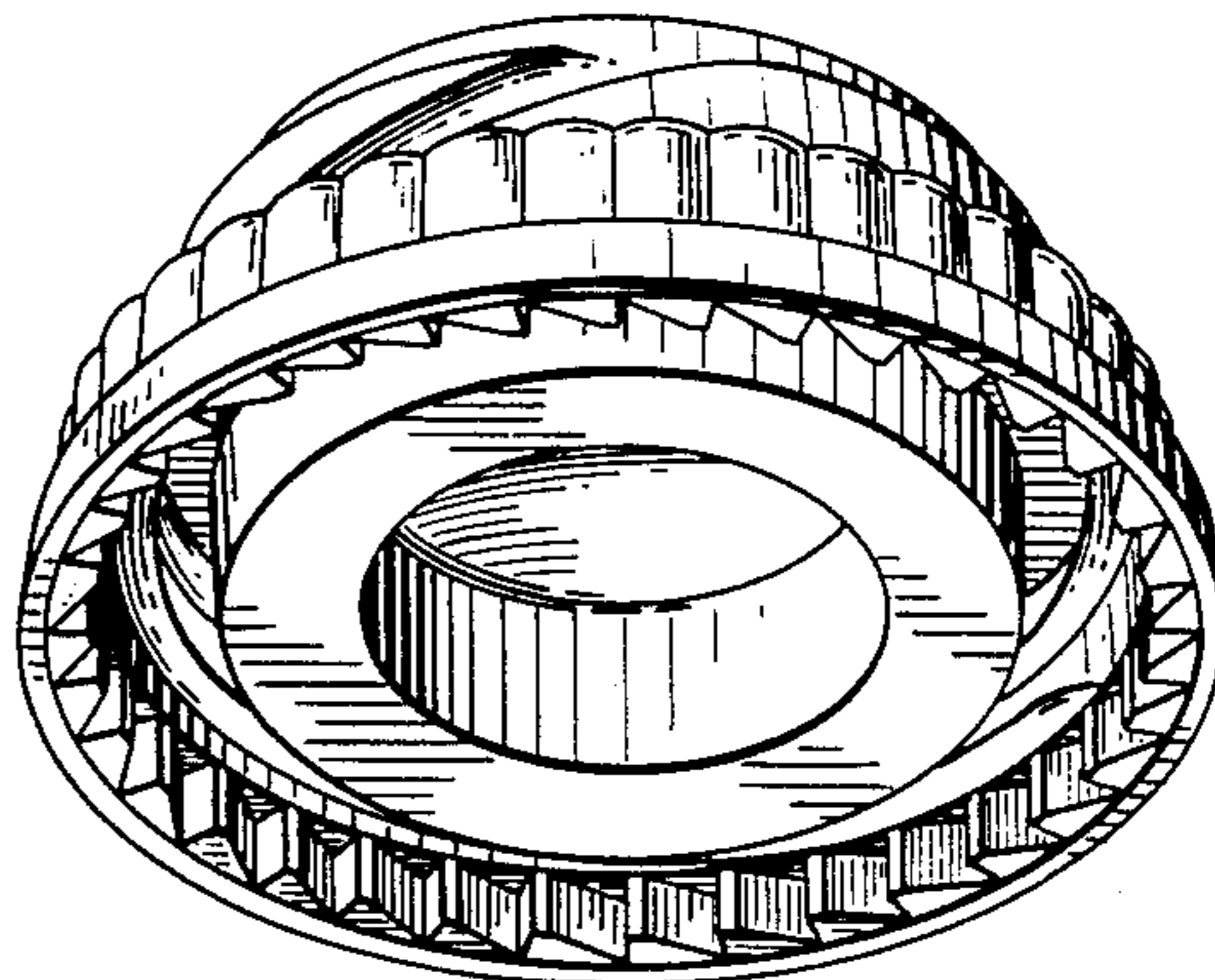


FIG. 2

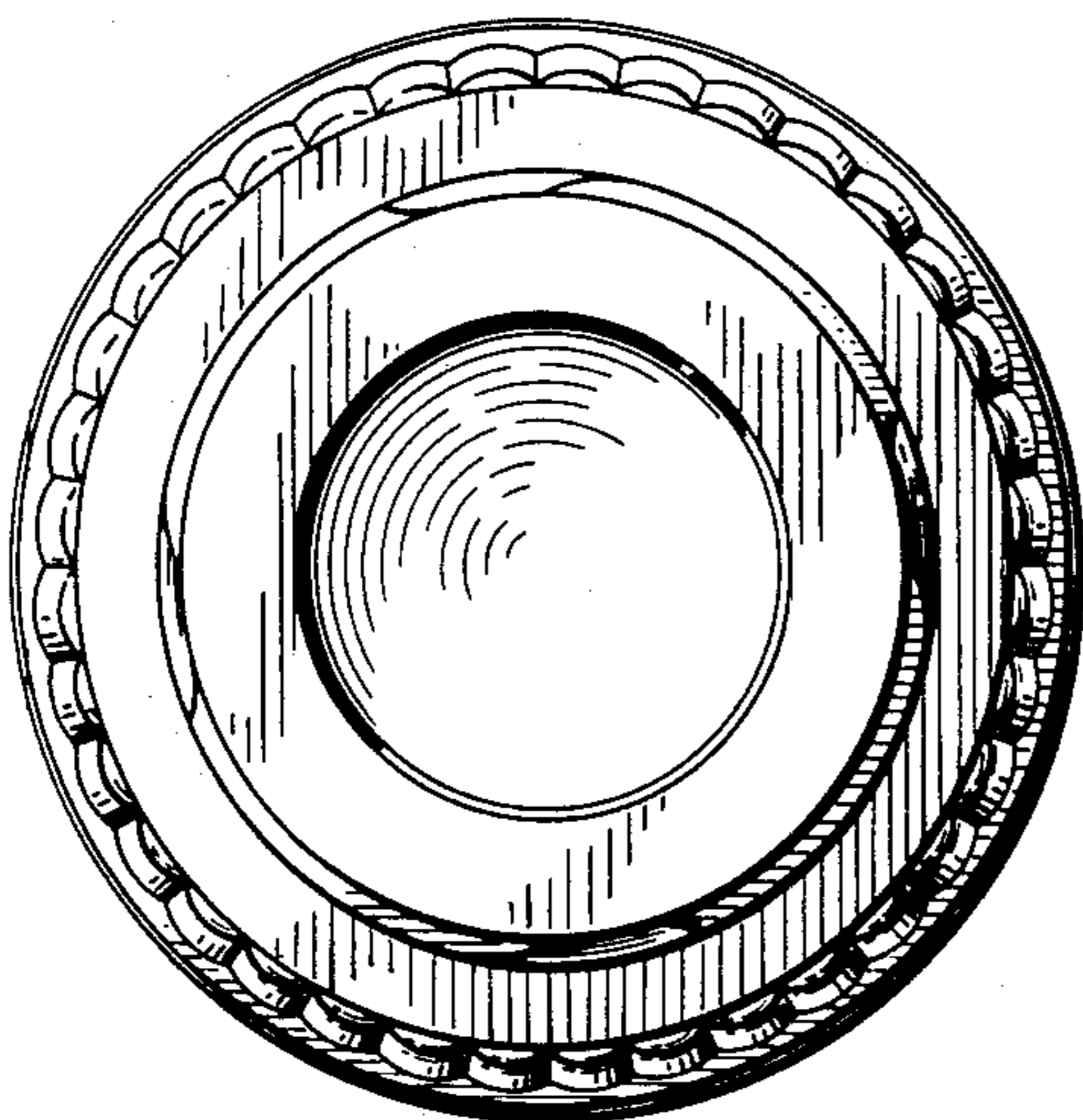


FIG. 3

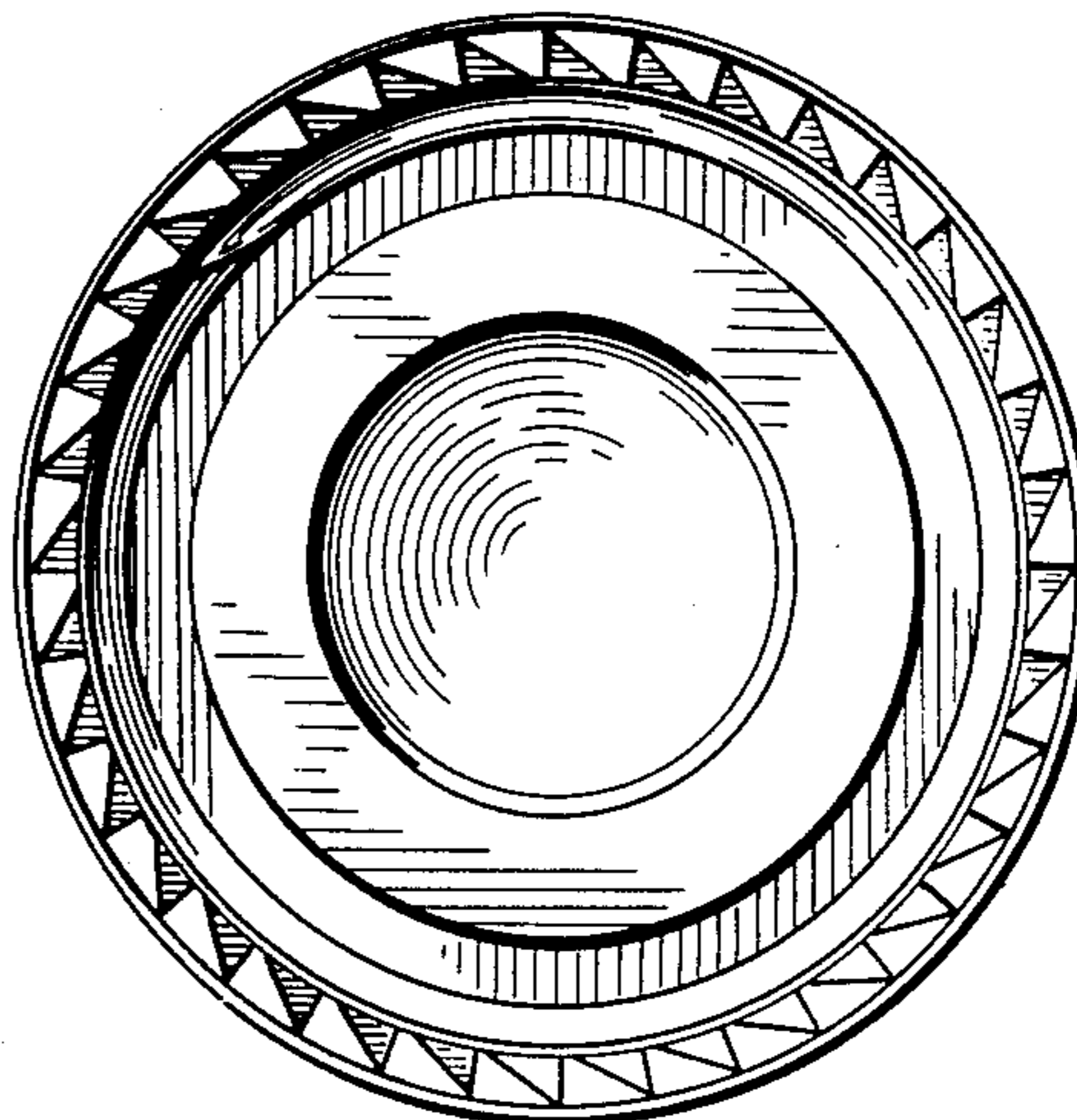


FIG. 4

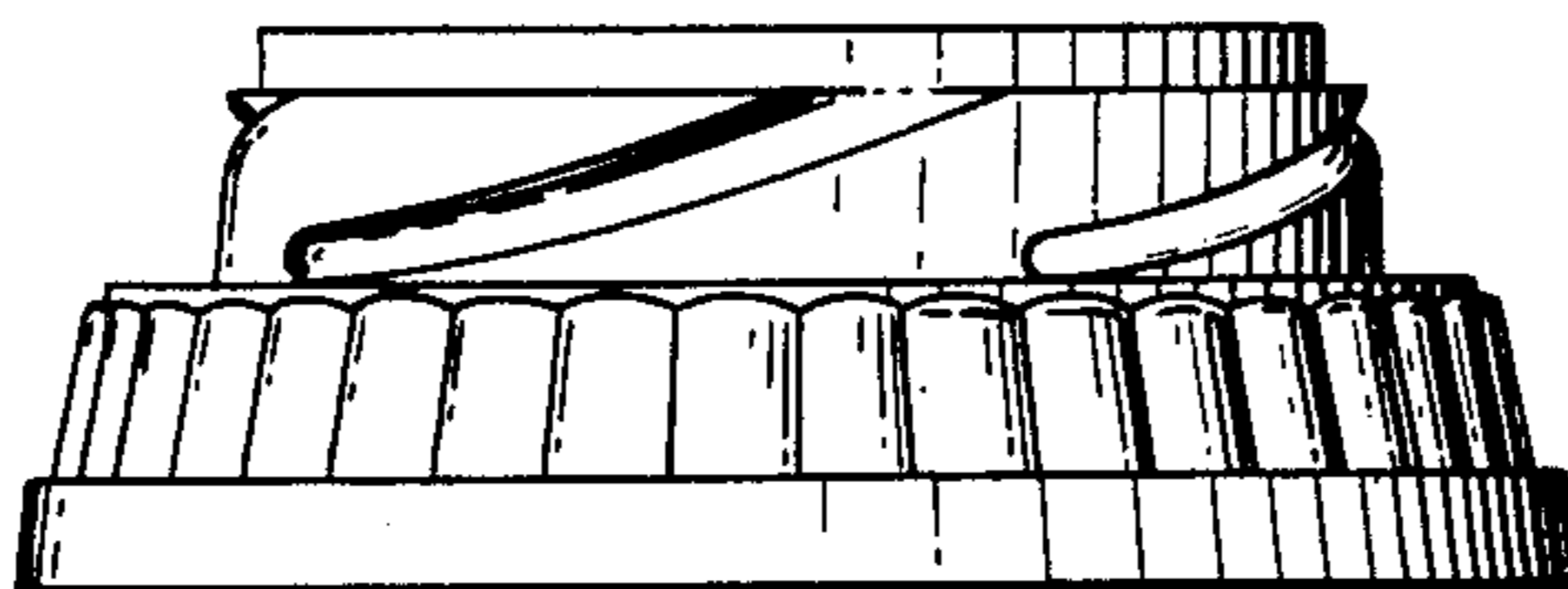


FIG. 5