

[54] ESCUTCHEON

- [75] Inventor: LaVerne E. Clayton, Rockford, Ill.
[73] Assignee: Amerock Corporation, Rockford, Ill.
[**] Term: 14 Years
[21] Appl. No.: 662,030
[22] Filed: Feb. 27, 1976
[51] Int. Cl. D8-09
[52] U.S. Cl. D8/350
[58] Field of Search D8/300, 302, 304, 306,
D8/307, 310, 312, 313, 315-320, 350-353, 368,
378

[56] References Cited
U.S. PATENT DOCUMENTS

D. 189,526	1/1961	Clayton	D8/318
D. 207,529	5/1967	Morgan	D8/350
D. 226,516	3/1973	Mellyn	D8/350

OTHER PUBLICATIONS

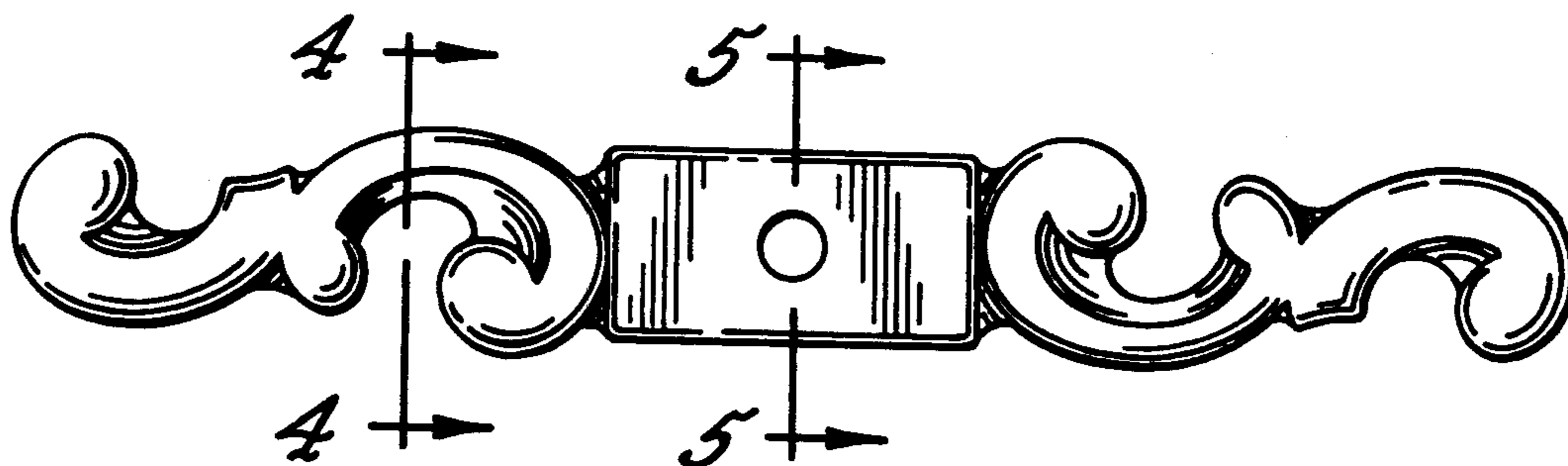
Jaybee Builders & Cabinet Hardware Cat. 133, 2/1974,
p. 37, Versailles backplate.
Primary Examiner—Wallace R. Burke
Assistant Examiner—B. J. Bullock
Attorney, Agent, or Firm—C. Frederick Leydig

[57] CLAIM

The ornamental design for an escutcheon, as shown.

DESCRIPTION

FIG. 1 is a front elevational view of an escutcheon incorporating my new design;
FIG. 2 is a bottom plan view thereof;
FIG. 3 is an end elevational view thereof;
FIG. 4 is an enlarged sectional view taken along the line 4-4 in FIG. 1.
FIG. 5 is an enlarged sectional view taken along the line 5-5 in FIG. 1.



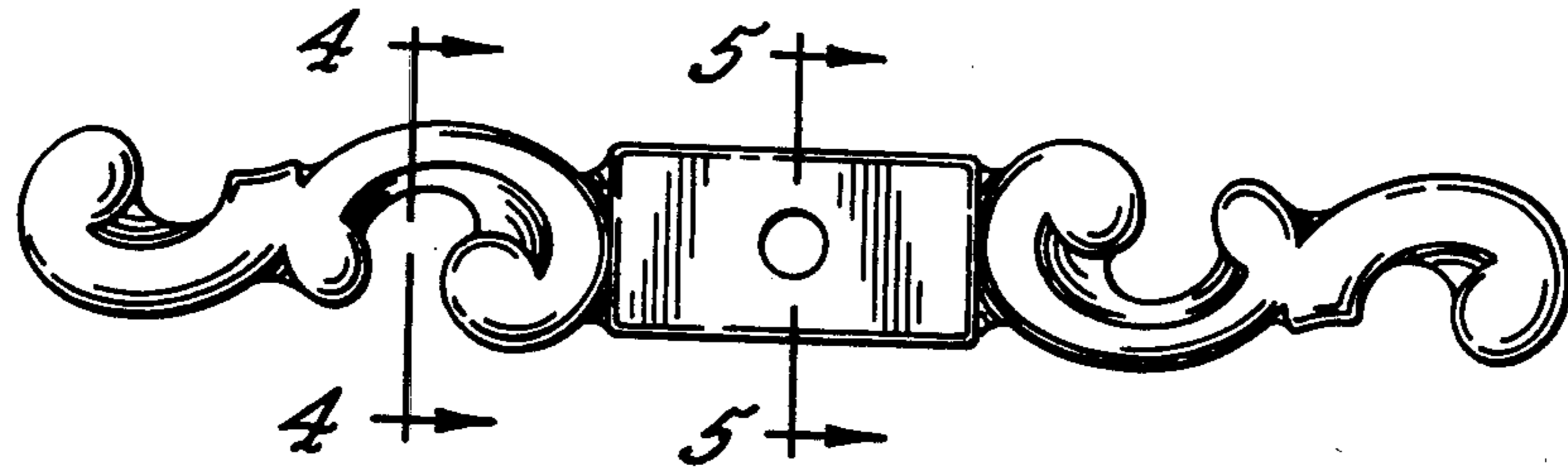


FIG. 1.

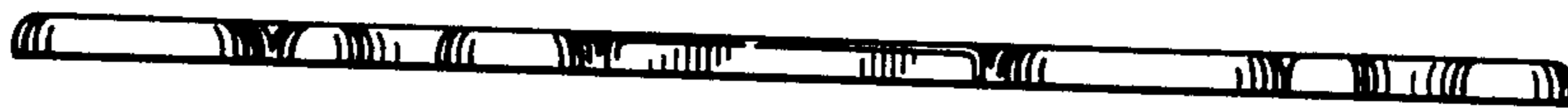


FIG. 2.

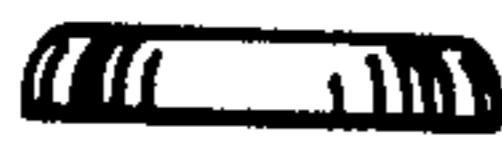


FIG. 3.



FIG. 4.



FIG. 5.