

[54] BARBECUE-TABLE

[76] Inventor: Guy Selva, 7, Rue Vendome, Lyon, Rhone, France

[**] Term: 14 Years

[21] Appl. No.: 687,111

[22] Filed: May 14, 1976

[51] Int. Cl. D7-02

[52] U.S. Cl. D7/107

[58] Field of Search D6/146, 147, 148, 149, D6/177, 178, 179; D7/107, 108, 109

[56] References Cited

U.S. PATENT DOCUMENTS

D. 100,302 7/1936 Thorstensen D6/149

D. 131,939	4/1942	Robinson	D7/107
D. 173,983	2/1955	Janssen	D7/107
D. 179,468	1/1957	Berliner et al.	D7/108
D. 189,950	3/1961	Faidy	D7/108
3,025,850	3/1962	Binkley et al.	D7/107 X

Primary Examiner—Bruce W. Dunkins
Attorney, Agent, or Firm—Arthur E. Dowell, III

[57] CLAIM

The ornamental design for a barbecue-table, as shown.

DESCRIPTION

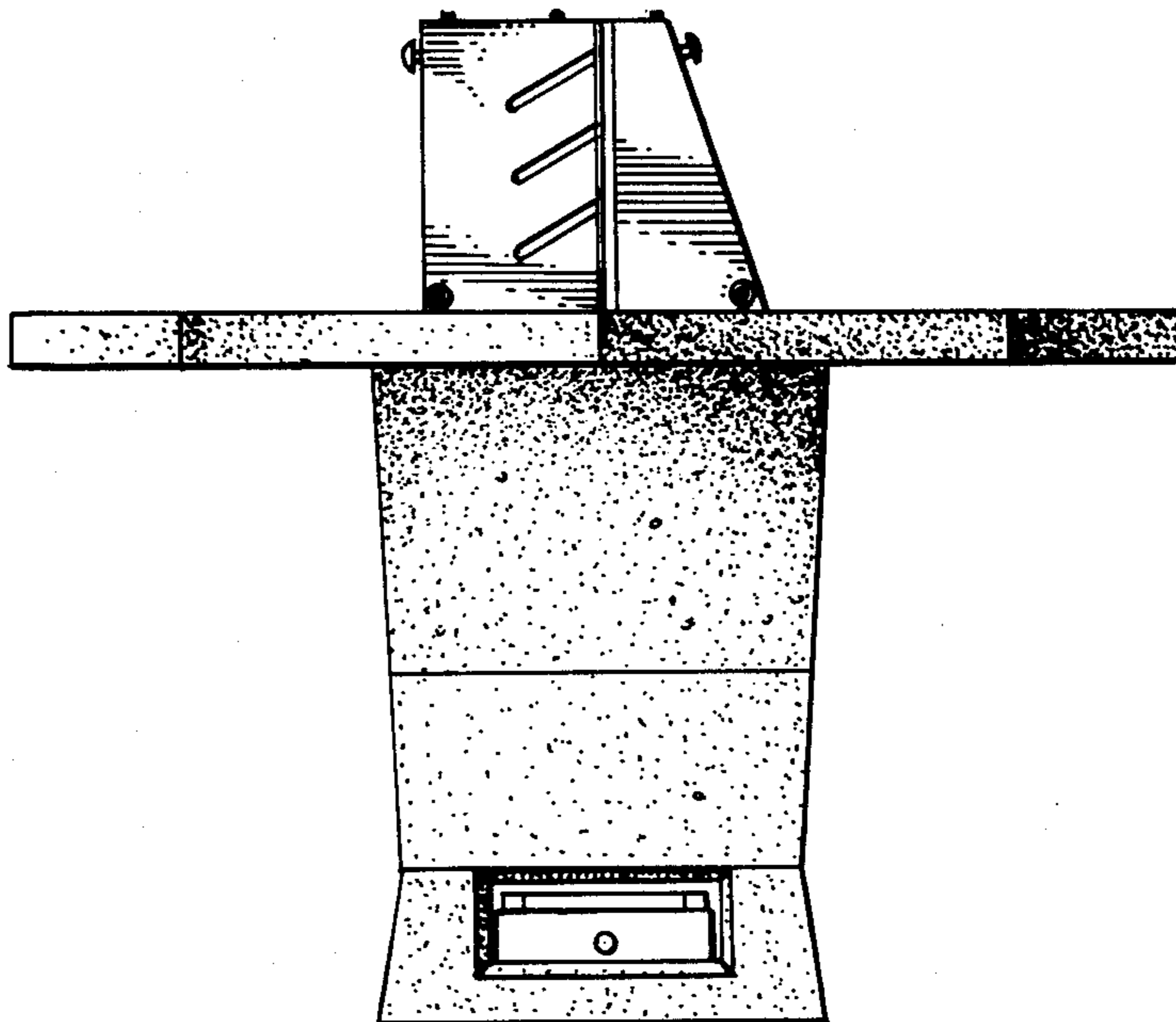
FIG. 1 is a plan top view of a barbecue-table showing my new design.

FIG. 2 is a front view thereof.

FIG. 3 and 4 are side views thereof.

FIG. 5 is a rear view thereof.

FIG. 6 is an underside view thereof.



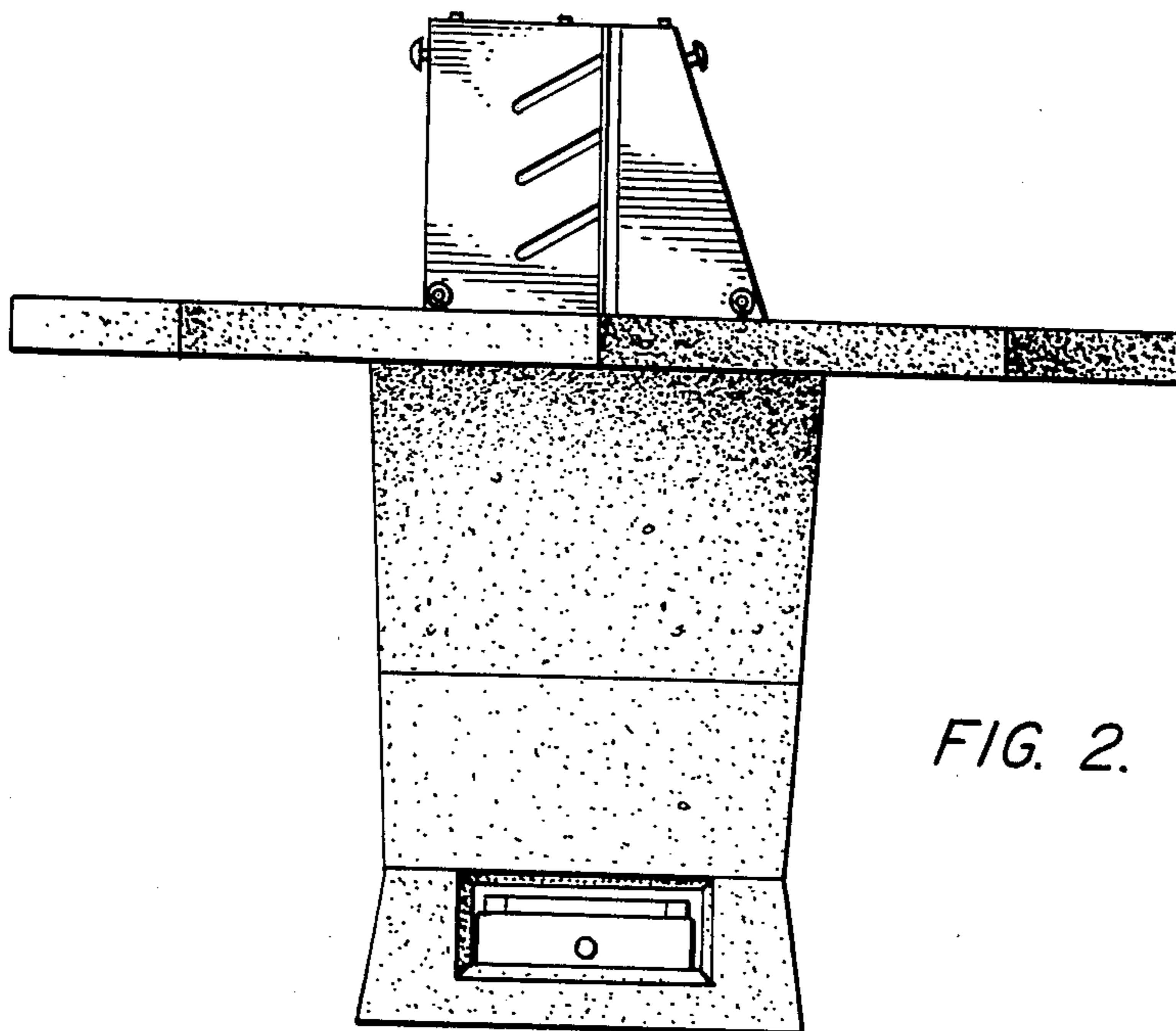


FIG. 2.

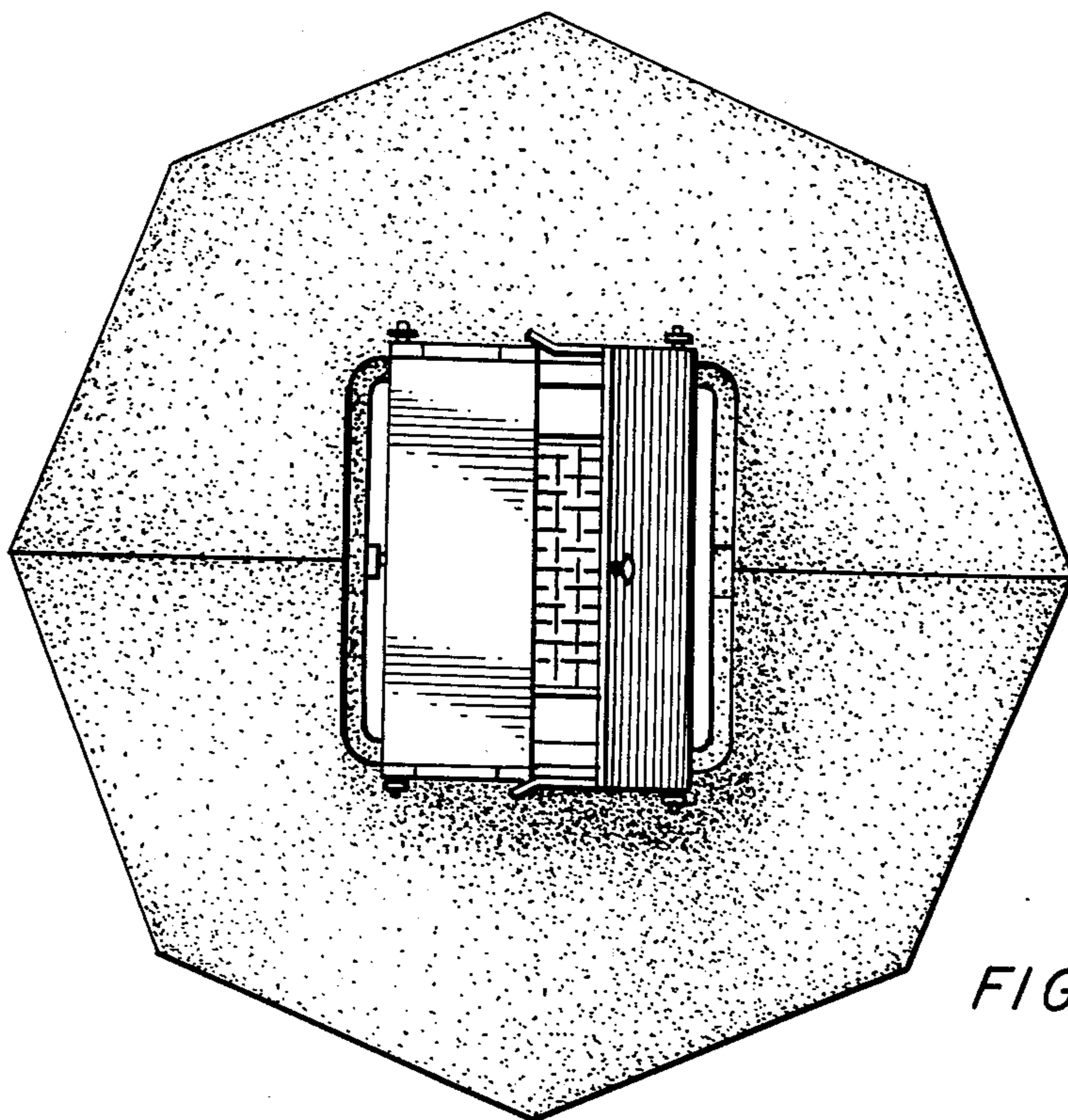


FIG. 1.

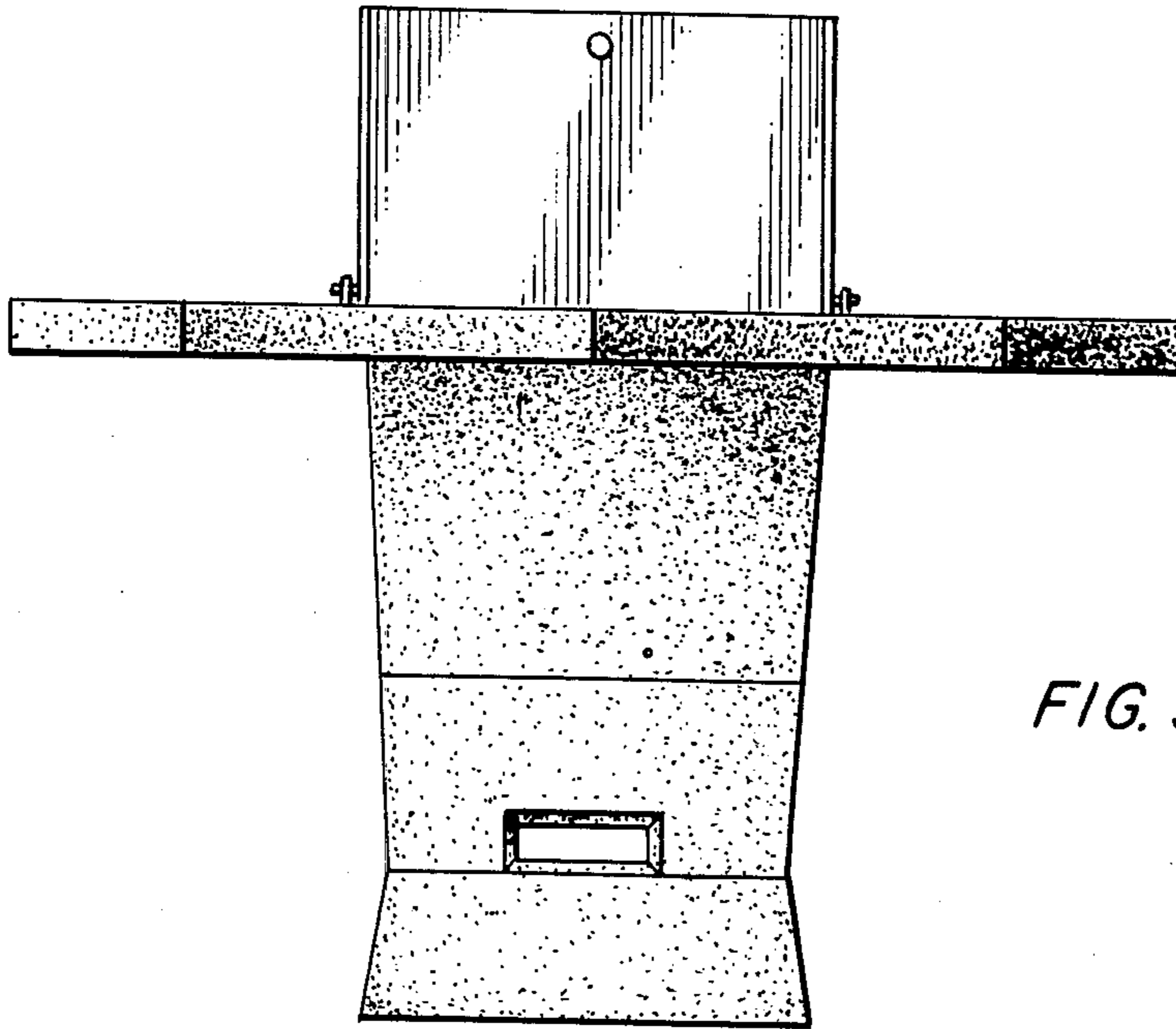


FIG. 3.

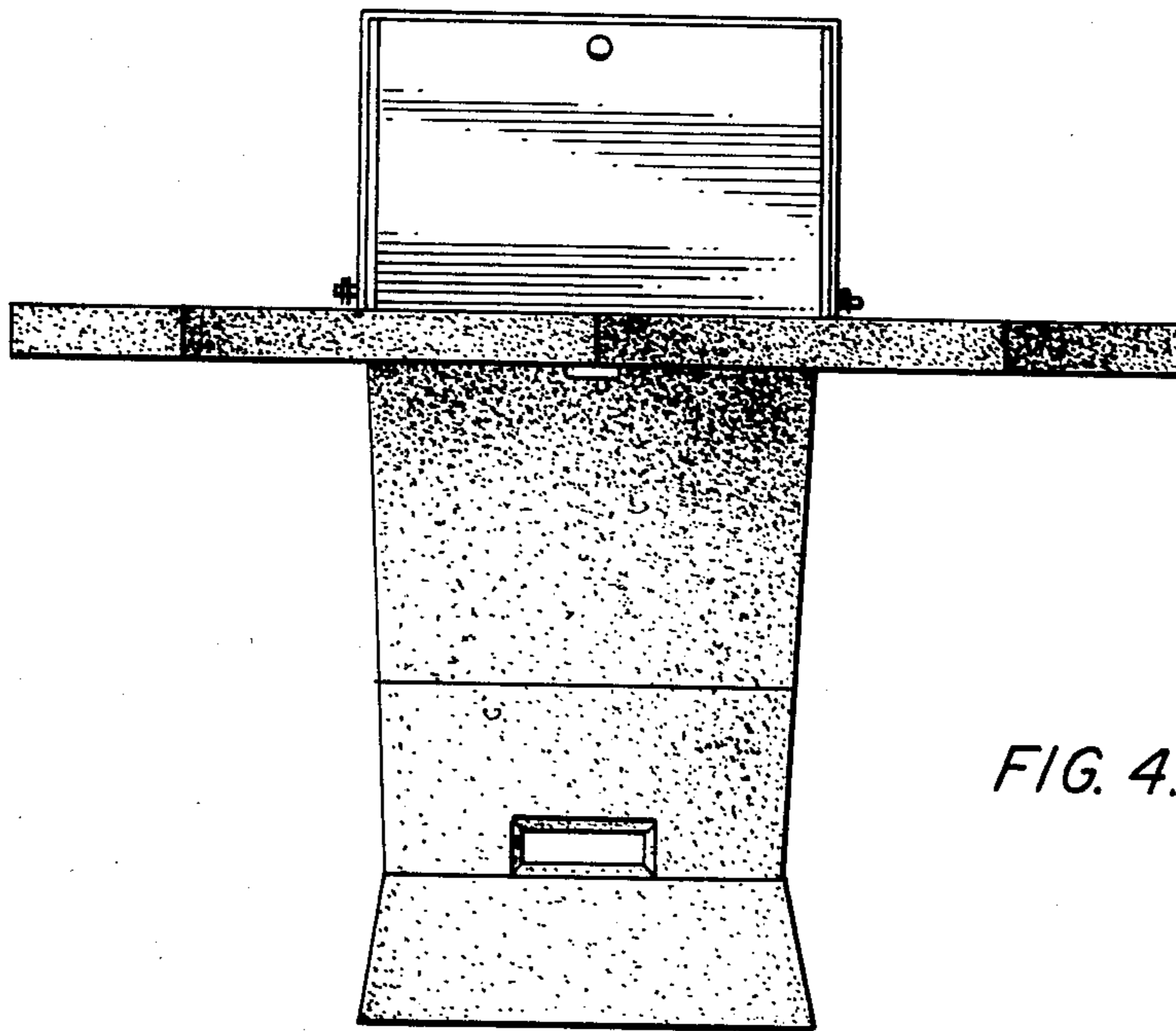


FIG. 4.

