

[54] TOY VEHICLE

[75] Inventor: Shinroku Nakao, Yokohama, Japan

[73] Assignee: Combi Co., Ltd., Tokyo, Japan

[\*\*] Term: 14 Years

[21] Appl. No.: 646,912

[22] Filed: Jan. 6, 1976

[51] Int. Cl. .... D21-01

[52] U.S. Cl. .... D34/15 AN

[58] Field of Search ..... D34/15 AJ, 15 D, 15 AM, D34/15 AN; 46/103, 105, 201, 202, 204, 206, 210, 211, 212, 213, 222; 280/87.01

[56] References Cited

U.S. PATENT DOCUMENTS

D. 203,843 2/1966 Campbell ..... D34/15 AJ

1,979,242 11/1934 Allen ..... 46/201

OTHER PUBLICATIONS

Playthings, 3-1972, p. 171, toy vehicles with figures at bottom of page.

Primary Examiner—Joel Stearman

Assistant Examiner—C. A. Rademaker

Attorney, Agent, or Firm—Albert M. Zalkind

[57] CLAIM

The ornamental design for a toy vehicle, substantially as shown.

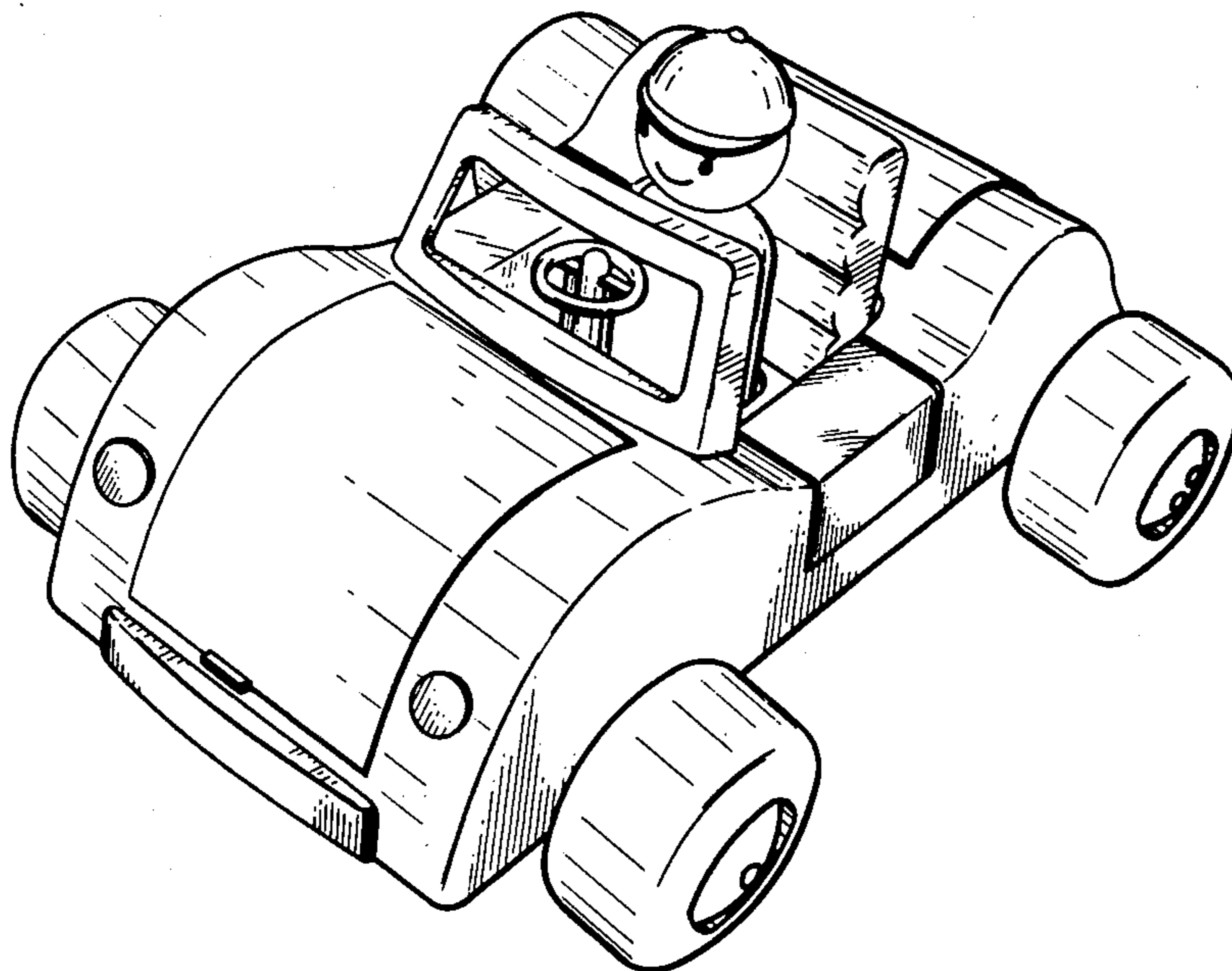
DESCRIPTION

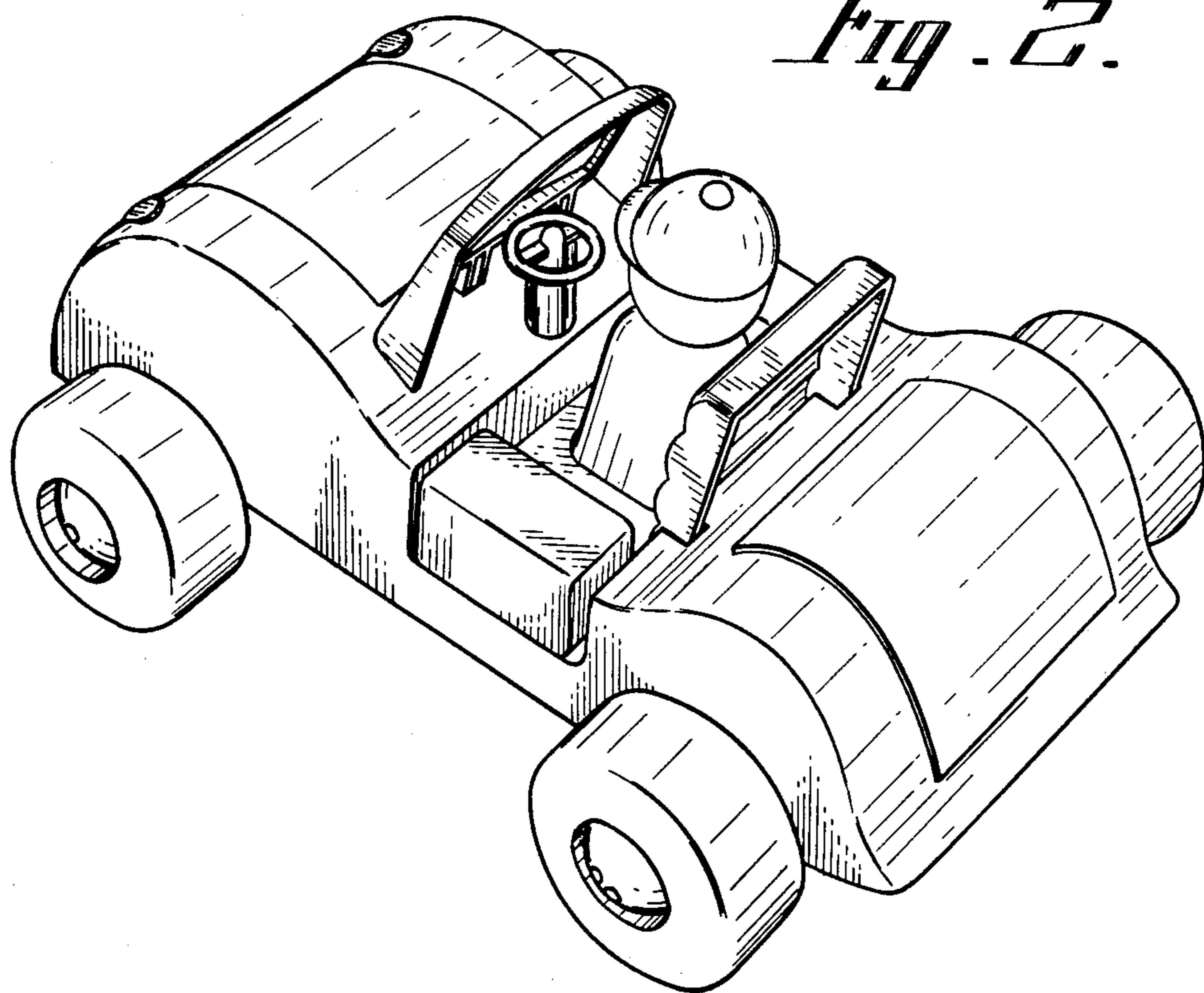
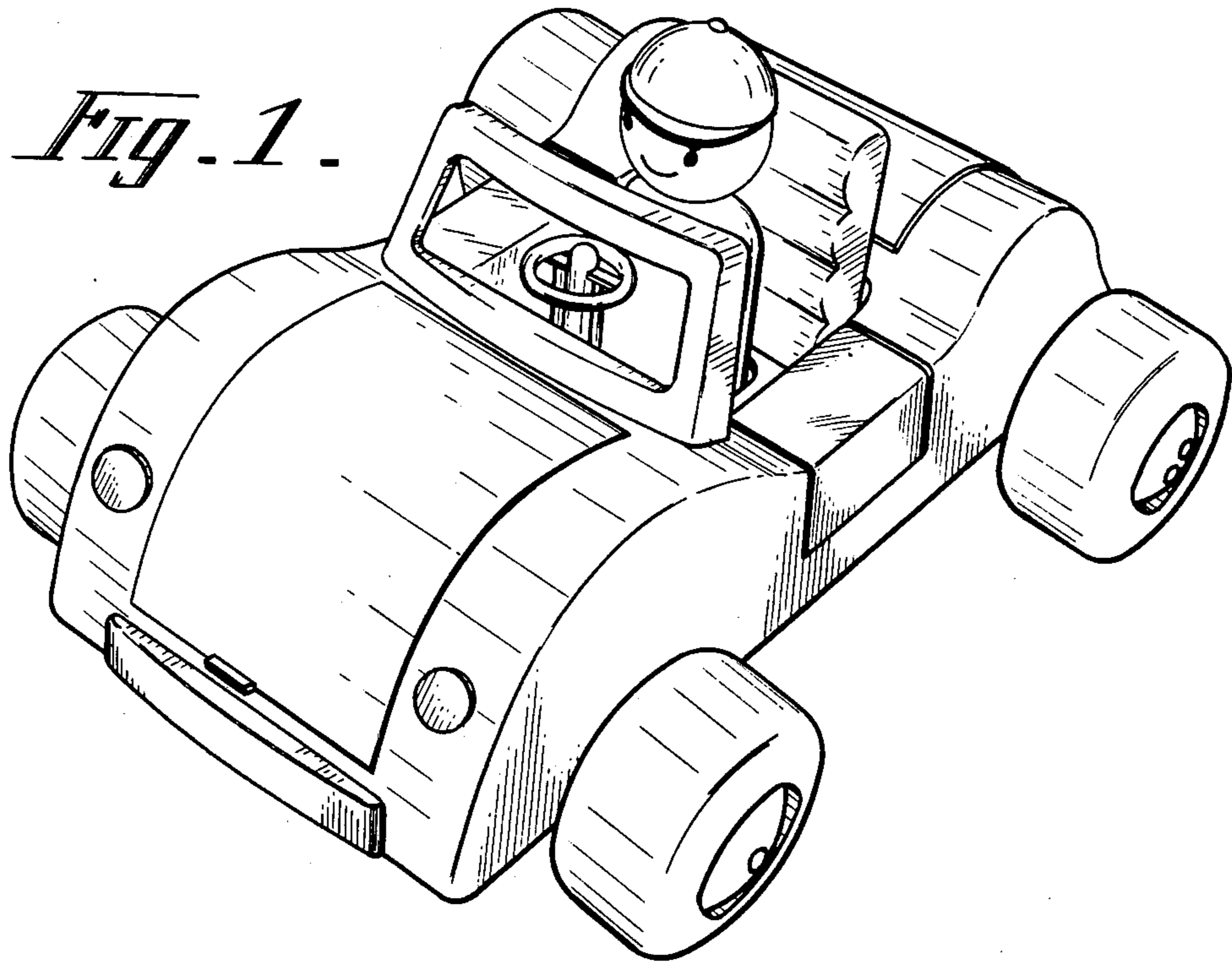
FIG. 1 is a front perspective view of a toy vehicle showing my new design;

FIG. 2 is a rear perspective view thereof;

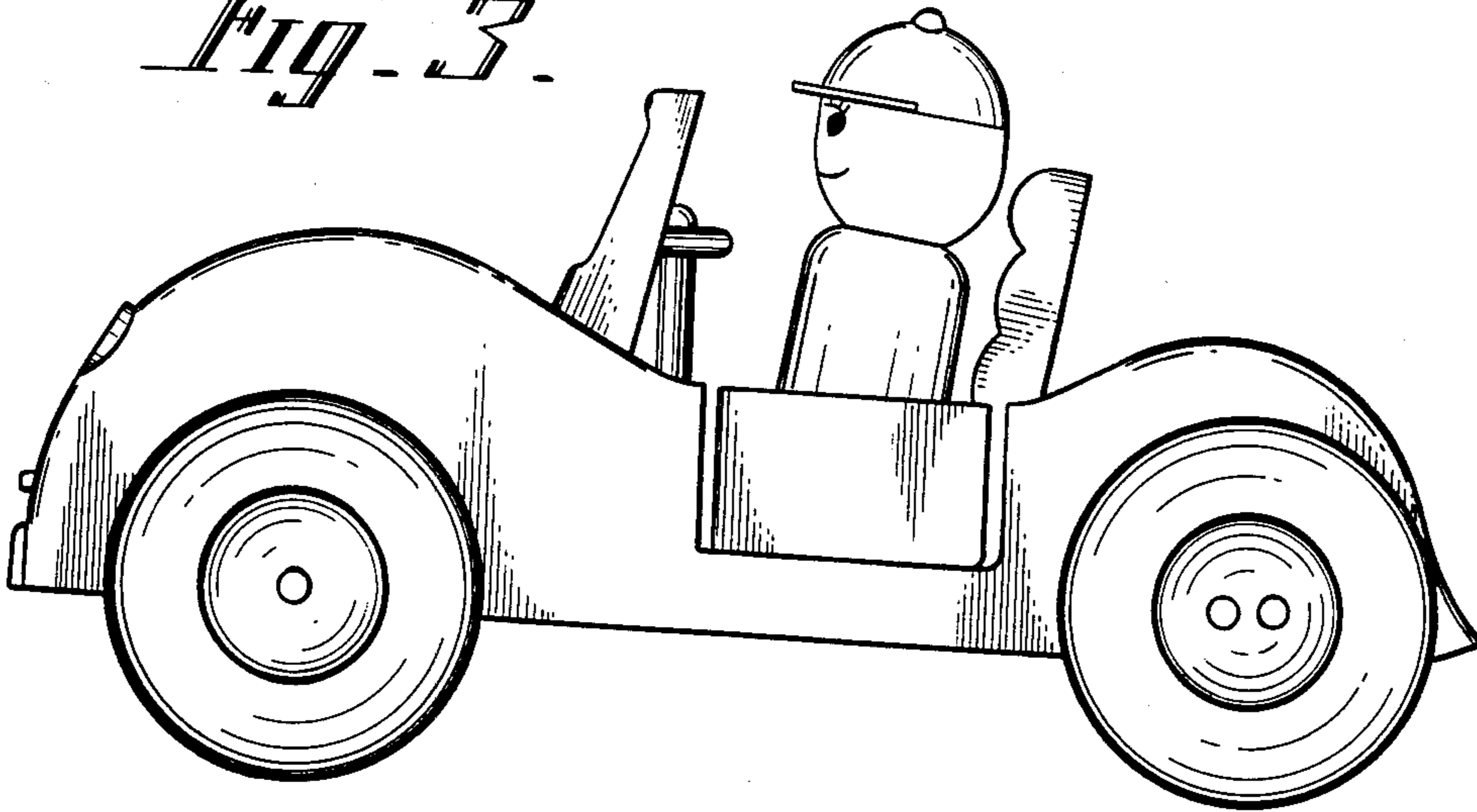
FIG. 3 is a right side elevational view thereof; and

FIG. 4 is a top plan view thereof.





*Fig. 3.*



*Fig. 4.*

