

[54] FLEA SCOOP FOR AN ANIMAL GROOMING COMB

[76] Inventor: John S. Taylor, 201 W. Collins, Space 86, Orange, Calif. 92667

[**] Term: 14 Years

[21] Appl. No.: 684,296

[22] Filed: May 7, 1976

[51] Int. Cl. D30-99

[52] U.S. Cl. D30/40

[58] Field of Search D30/40; 119/85, 87

[56] References Cited

U.S. PATENT DOCUMENTS

D. 240,435	7/1976	Remijas	D30/40
663,697	12/1900	Gano	119/85
909,207	1/1909	Olsafskie	119/85

Primary Examiner—James R. Largen
Attorney, Agent, or Firm—Francis X. Lojacono, Sr.

[57] CLAIM

The ornamental design for an flea scoop for an animal grooming comb, as shown.

DESCRIPTION

FIG. 1 is a perspective view of a flea scoop for an animal grooming comb showing my new design; FIG. 2 is a left-side elevational view thereof; FIG. 3 is a right-side elevational view thereof; FIG. 4 is a top plan view thereof; and FIG. 5 is a bottom plan view thereof.

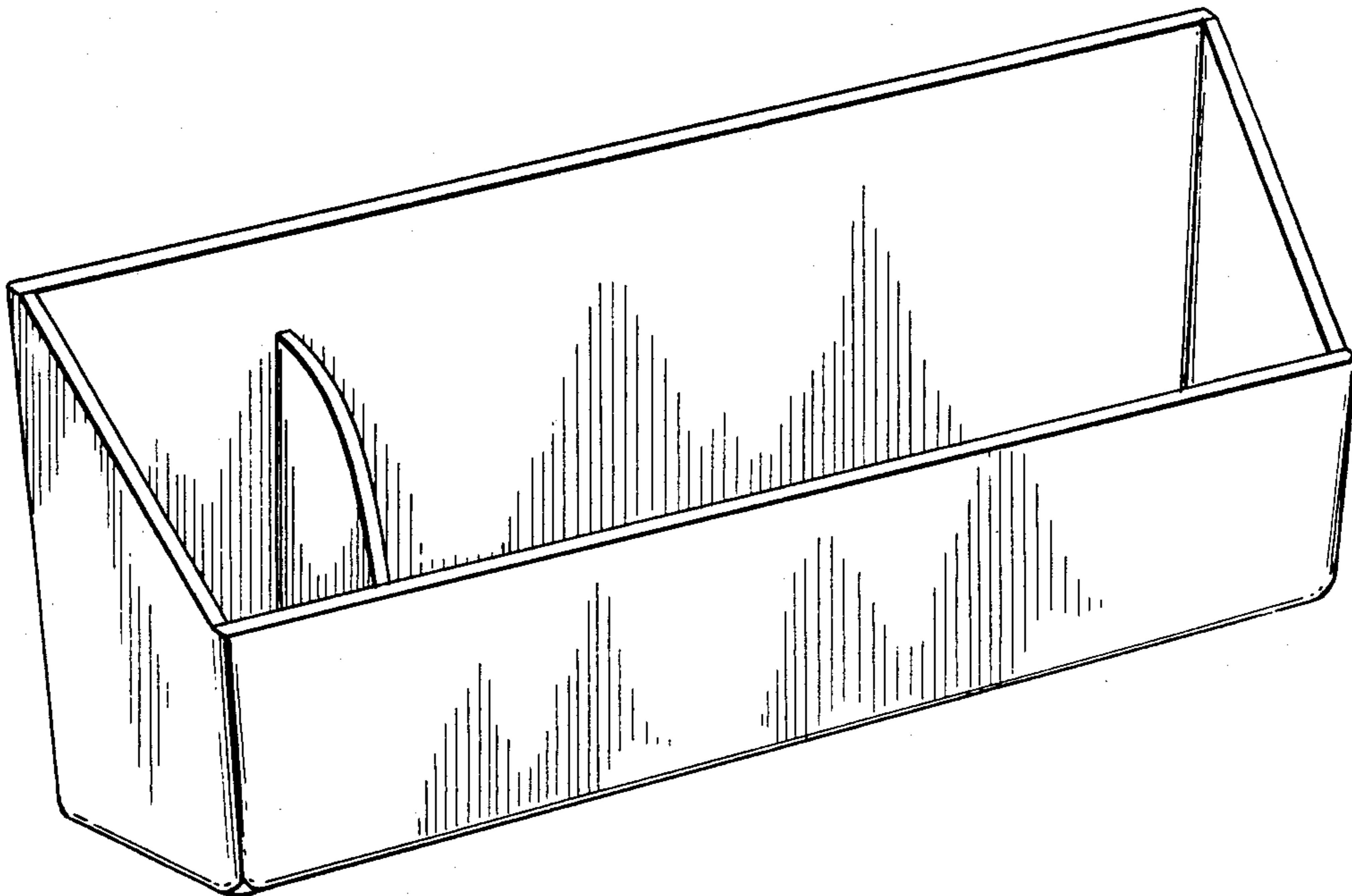


FIG. 1

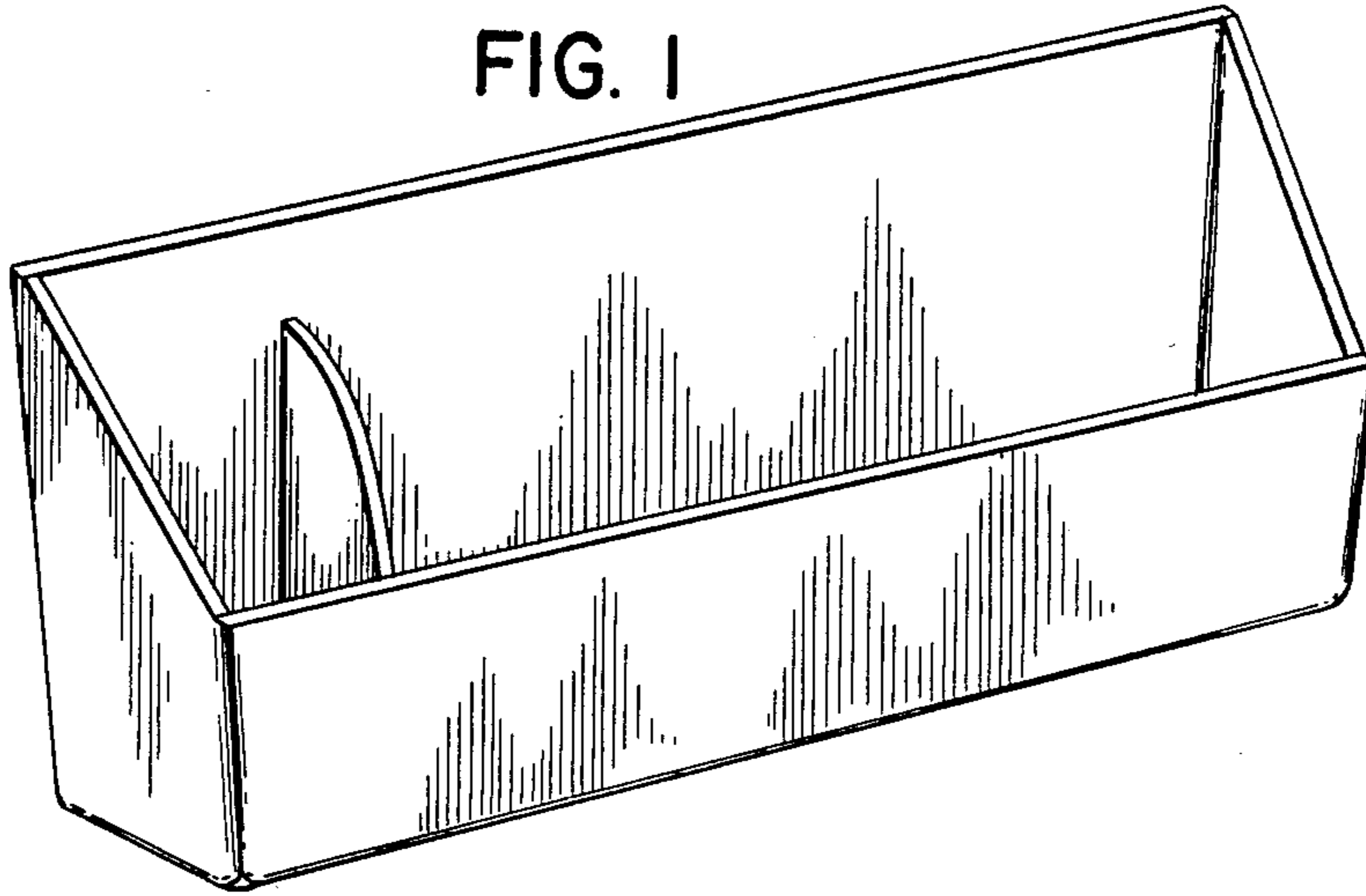


FIG. 2

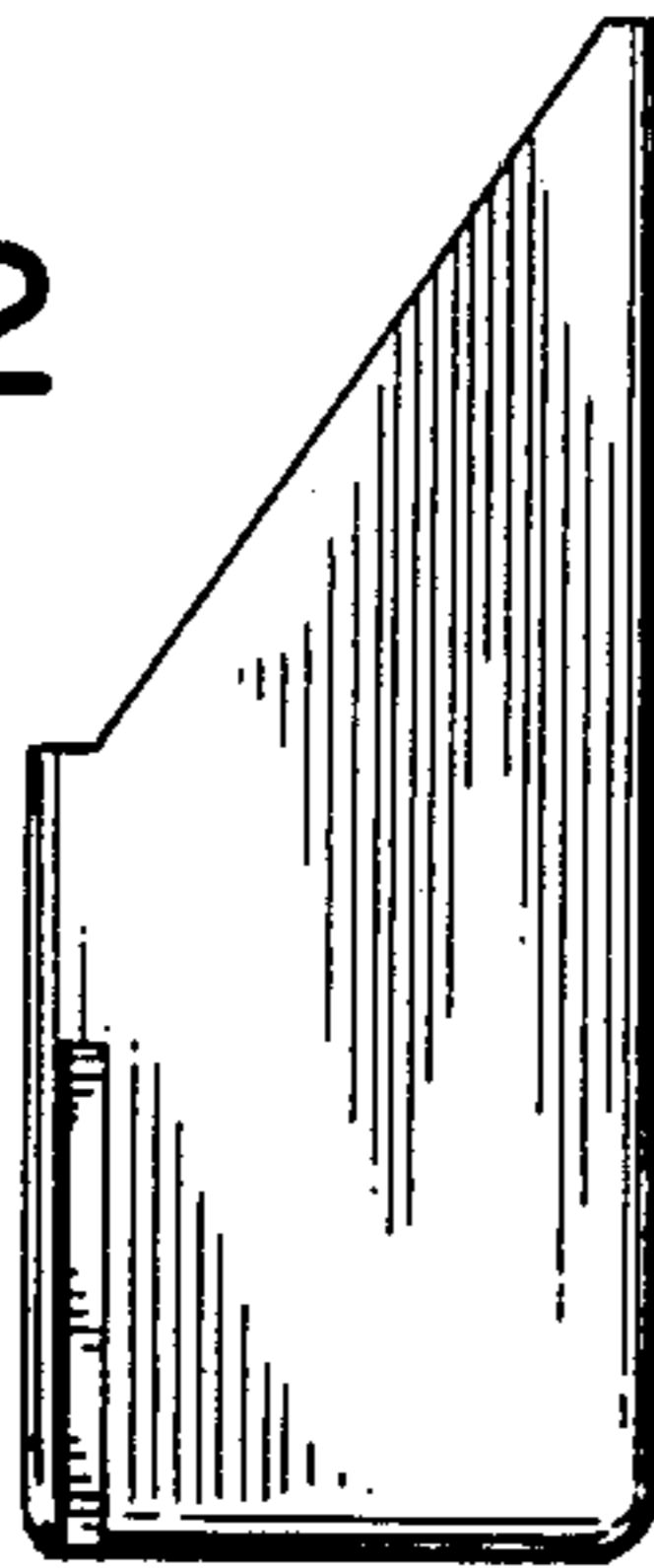


FIG. 3

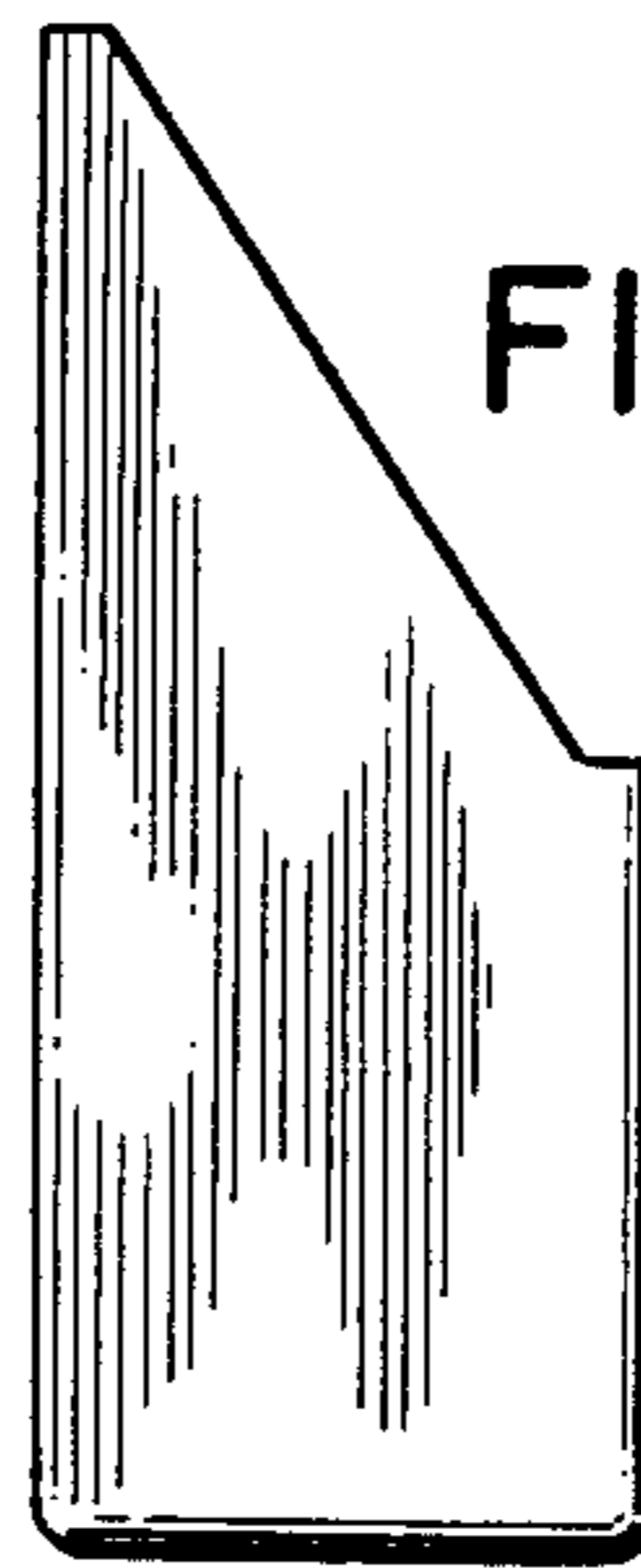


FIG. 4

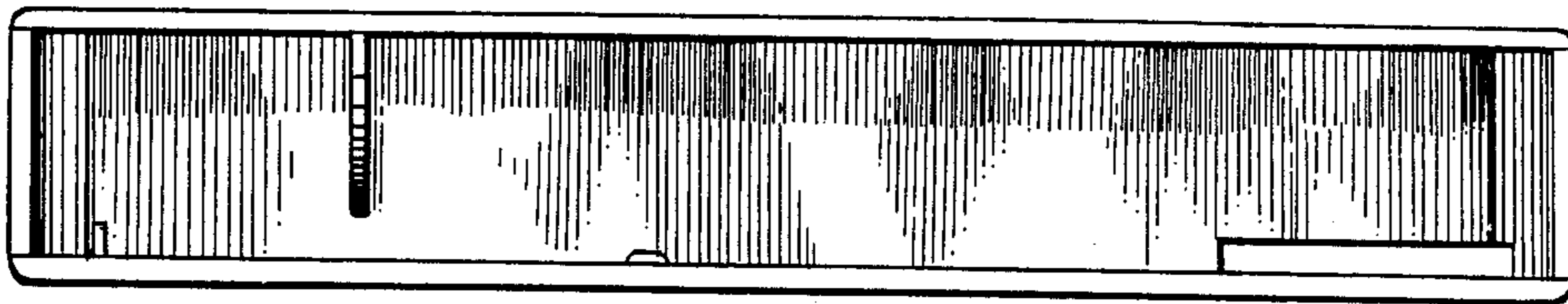


FIG. 5

