

[54] MOUTHPIECE BLOCK FOR UNDERWATER BREATHING APPARATUS

[76] Inventor: Leon A. Cerniway, 23792 Via El Rocio, Mission Viejo, Calif. 92675

[\*\*] Term: 14 Years

[21] Appl. No.: 640,438

[22] Filed: Dec. 15, 1975

[51] Int. Cl. .... D29-02

[52] U.S. Cl. .... D29/7

[58] Field of Search ..... 32/19, 17; D83/1 L; 128/147, 187, 136, 145; D29/7, 99

[56] References Cited

U.S. PATENT DOCUMENTS

D. 203,640	2/1966	Shugarman .....	D83/1 L
3,107,667	10/1963	Moore .....	128/136
3,123,680	3/1964	Minton, Jr. et al. ....	128/147 X
3,124,129	3/1964	Grossberg .....	128/136
3,207,154	9/1965	Rubilotta et al. ....	128/147 X
3,224,444	12/1965	Dempster .....	128/147

3,669,109	6/1972	Cheffers et al. ....	128/147
3,747,598	7/1973	Cowans .....	128/147
3,844,281	10/1974	Shamilian .....	128/136

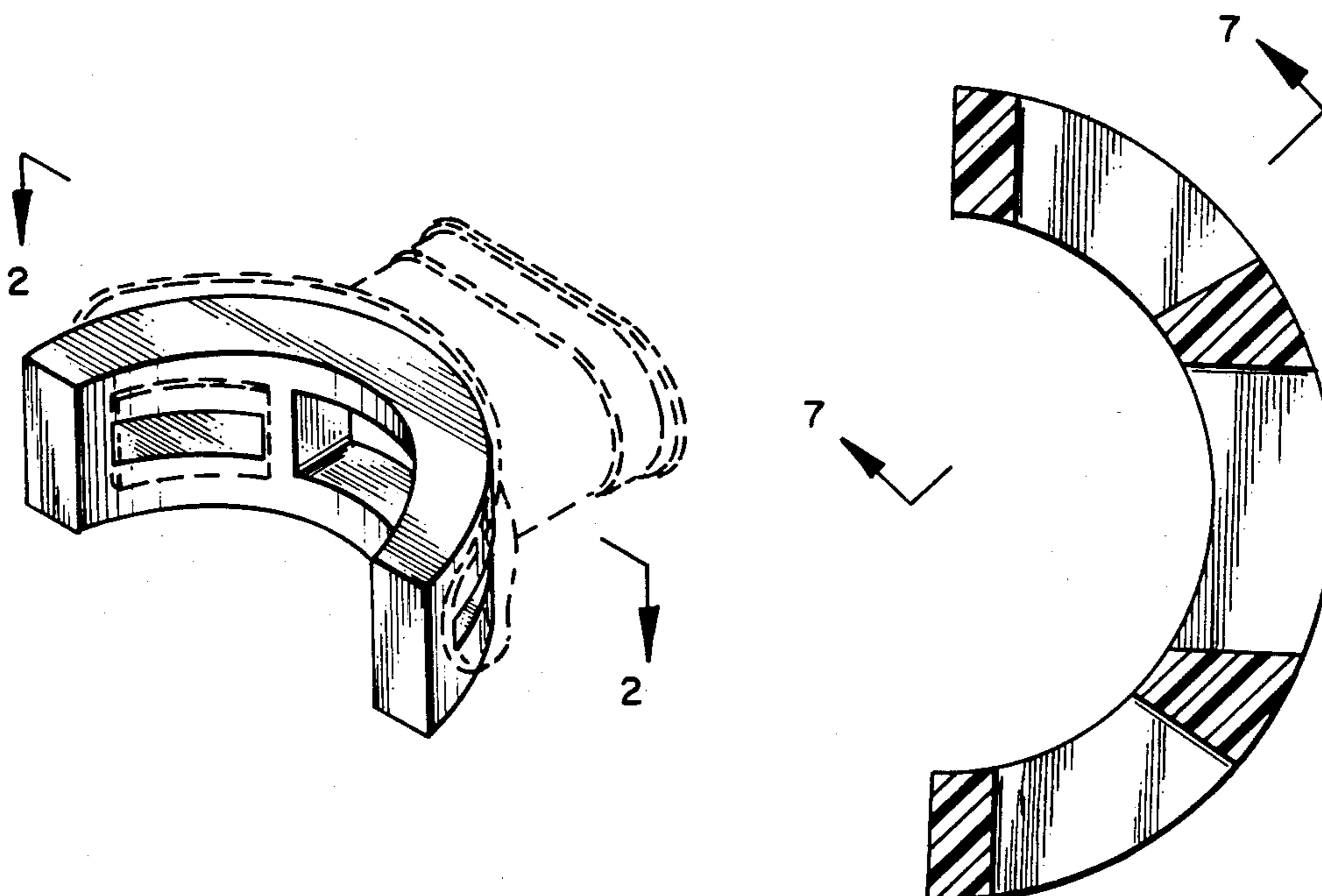
Primary Examiner—Bernard Ansher  
Attorney, Agent, or Firm—George F. Bethel

[57] CLAIM

The ornamental design for a mouthpiece block for underwater breathing apparatus, as shown and described.

DESCRIPTION

FIG. 1 is a perspective view of a mouthpiece block for underwater breathing apparatus showing our new design;  
FIG. 2 is a top plan view thereof;  
FIG. 3 is an elevation as seen from the right of FIG. 2;  
FIG. 4 is an end elevation thereof;  
FIG. 5 is a cross section taken on line 5—5 of FIG. 3;  
FIG. 6 is a cross section taken on line 6—6 of FIG. 3; and,  
FIG. 7 is a cross section taken on line 7—7 of FIG. 5. The broken lines are shown for illustrative purposes only.



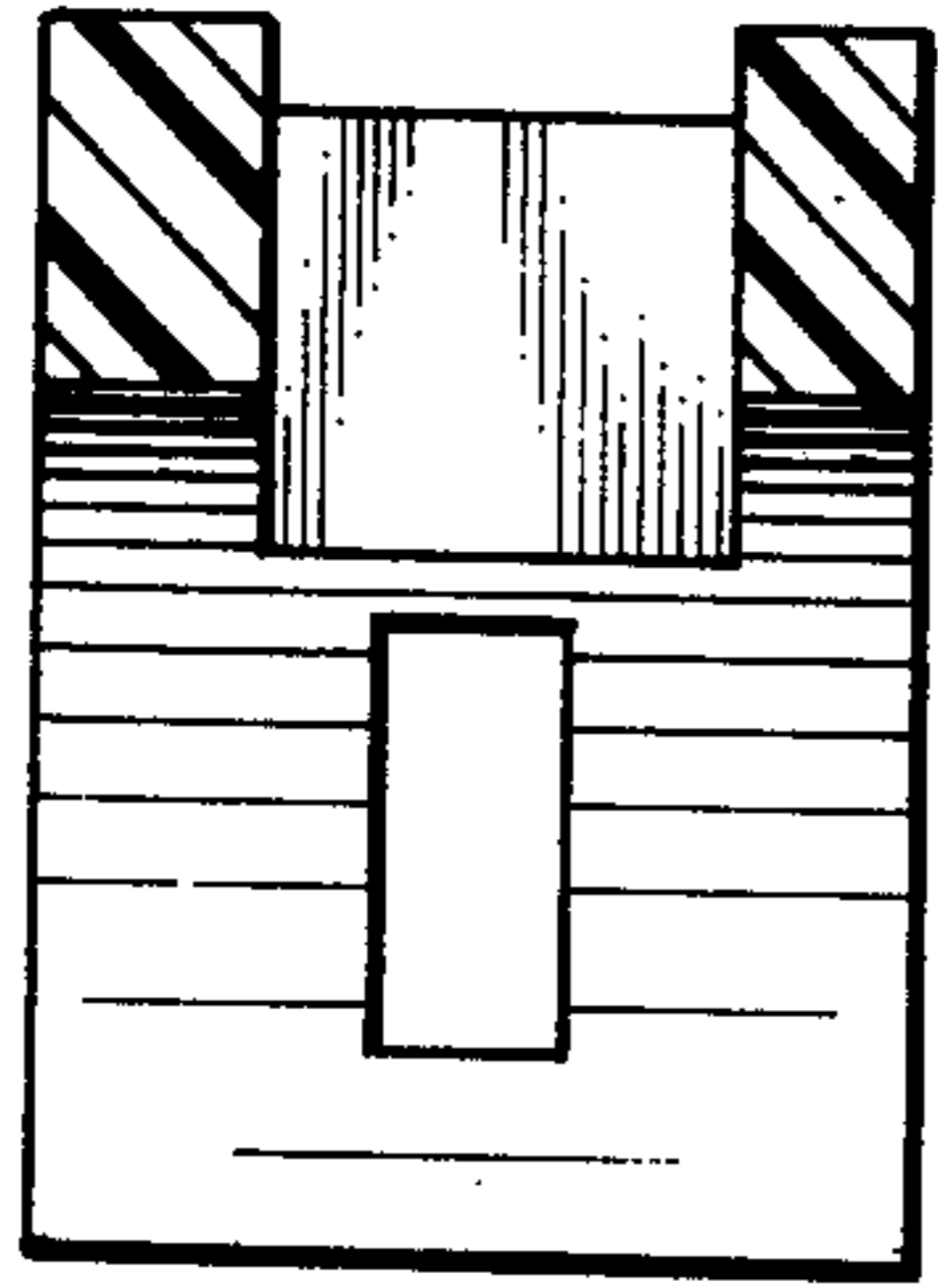


FIG. 6

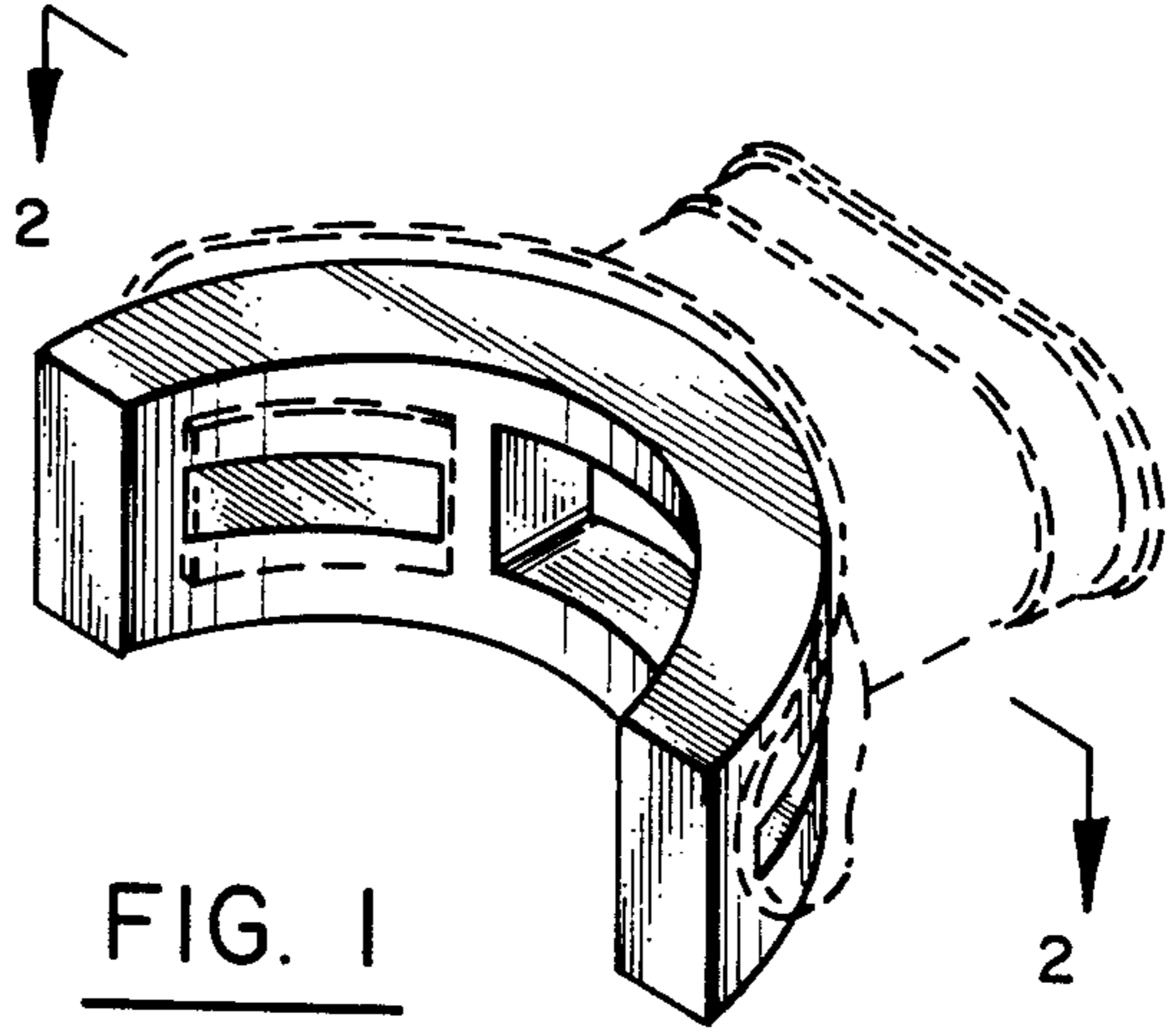


FIG. 1

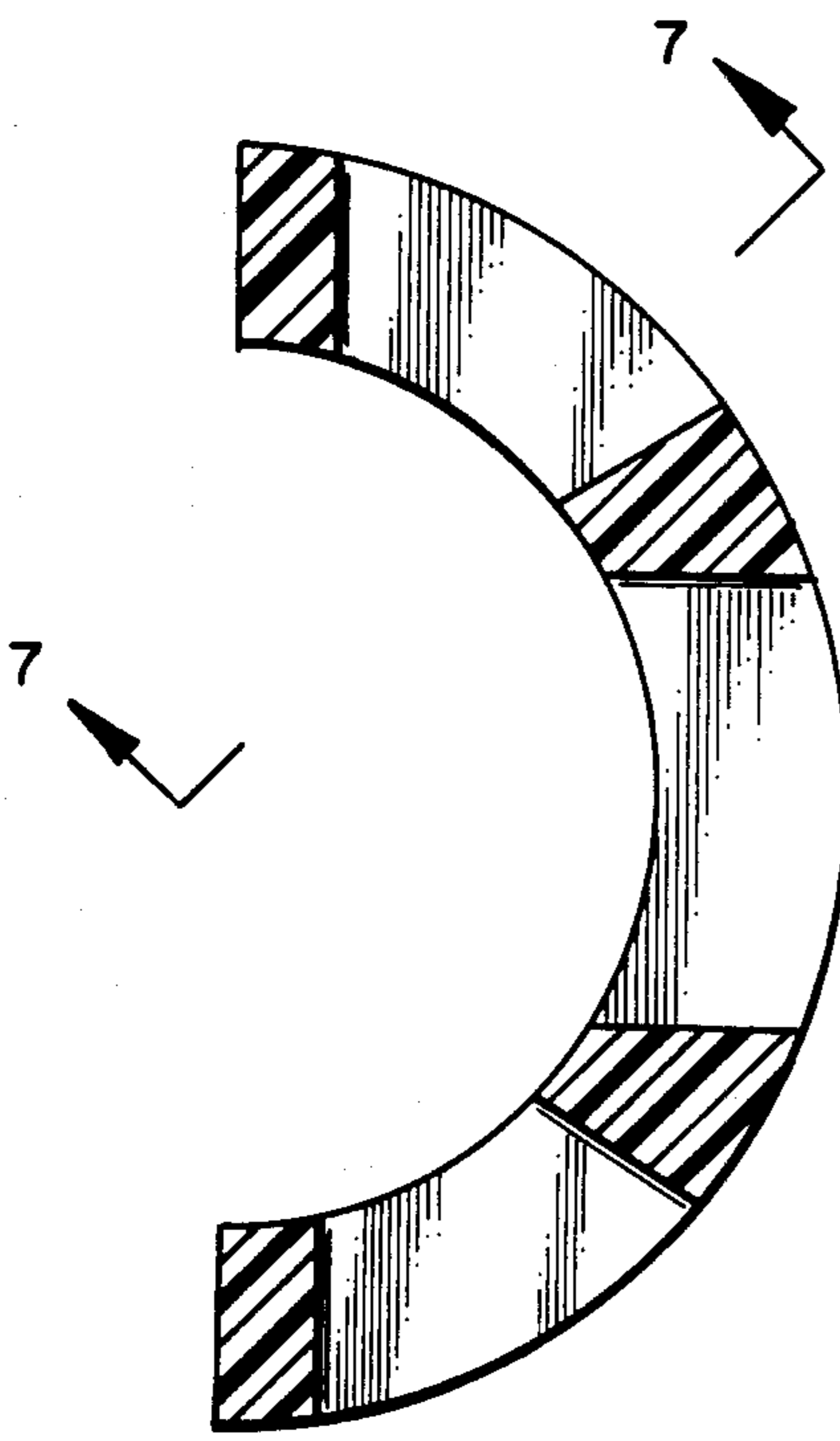


FIG. 5

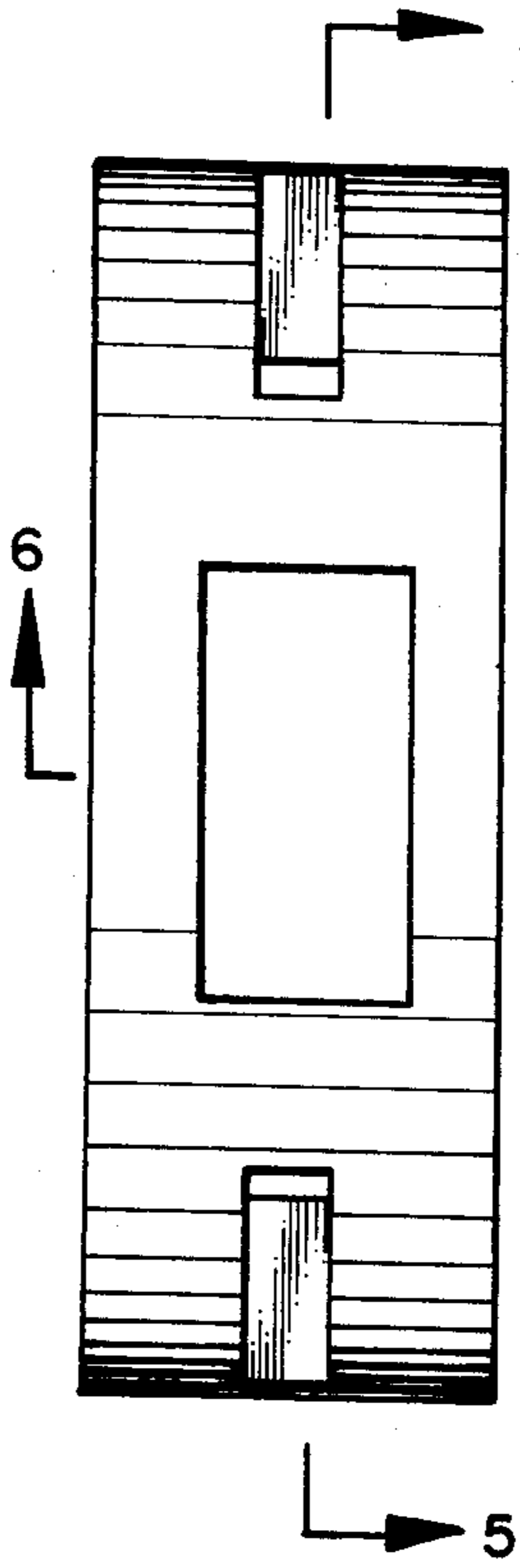


FIG. 3

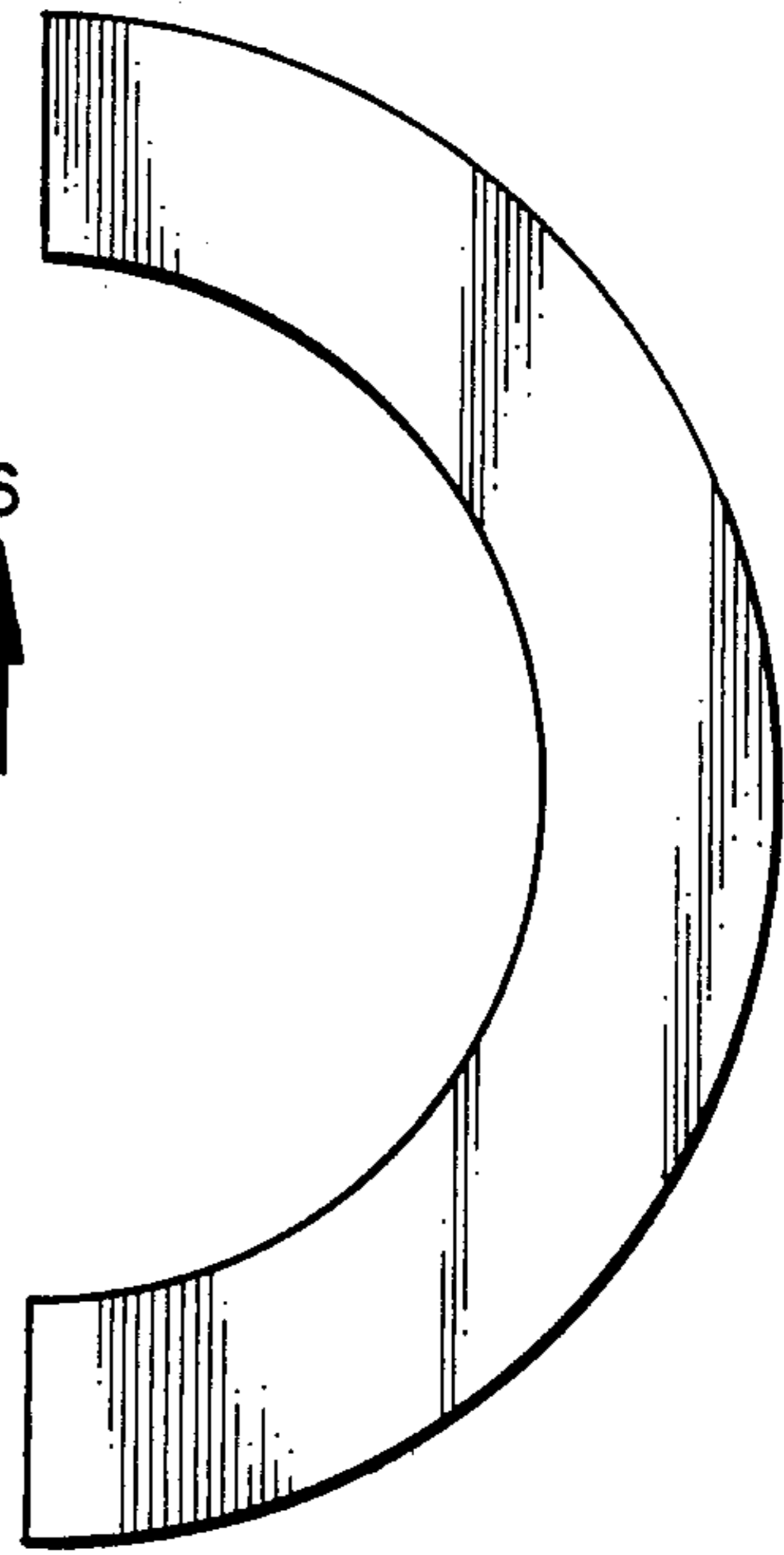


FIG. 2

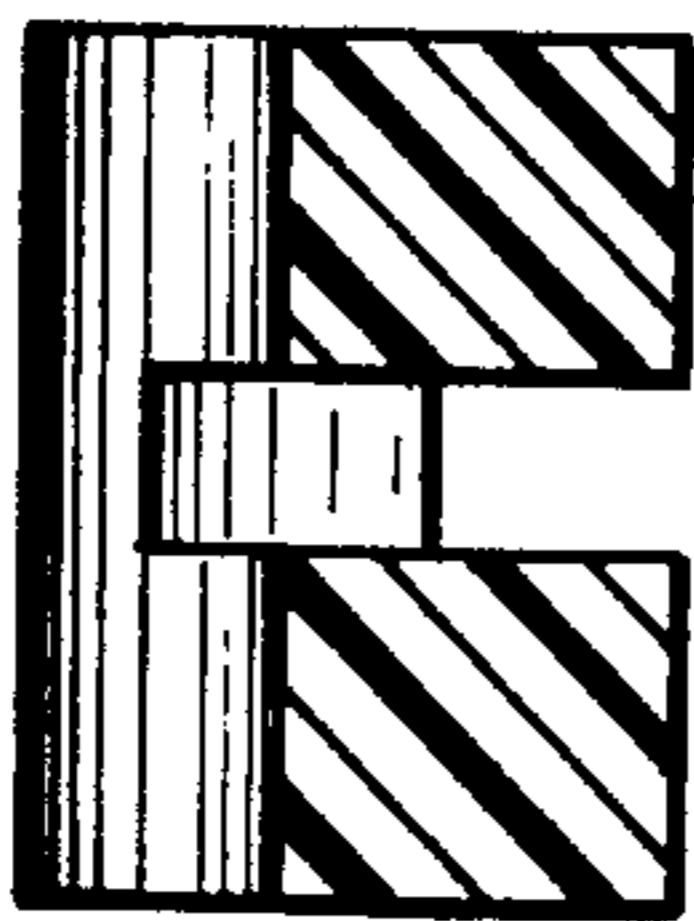


FIG. 7

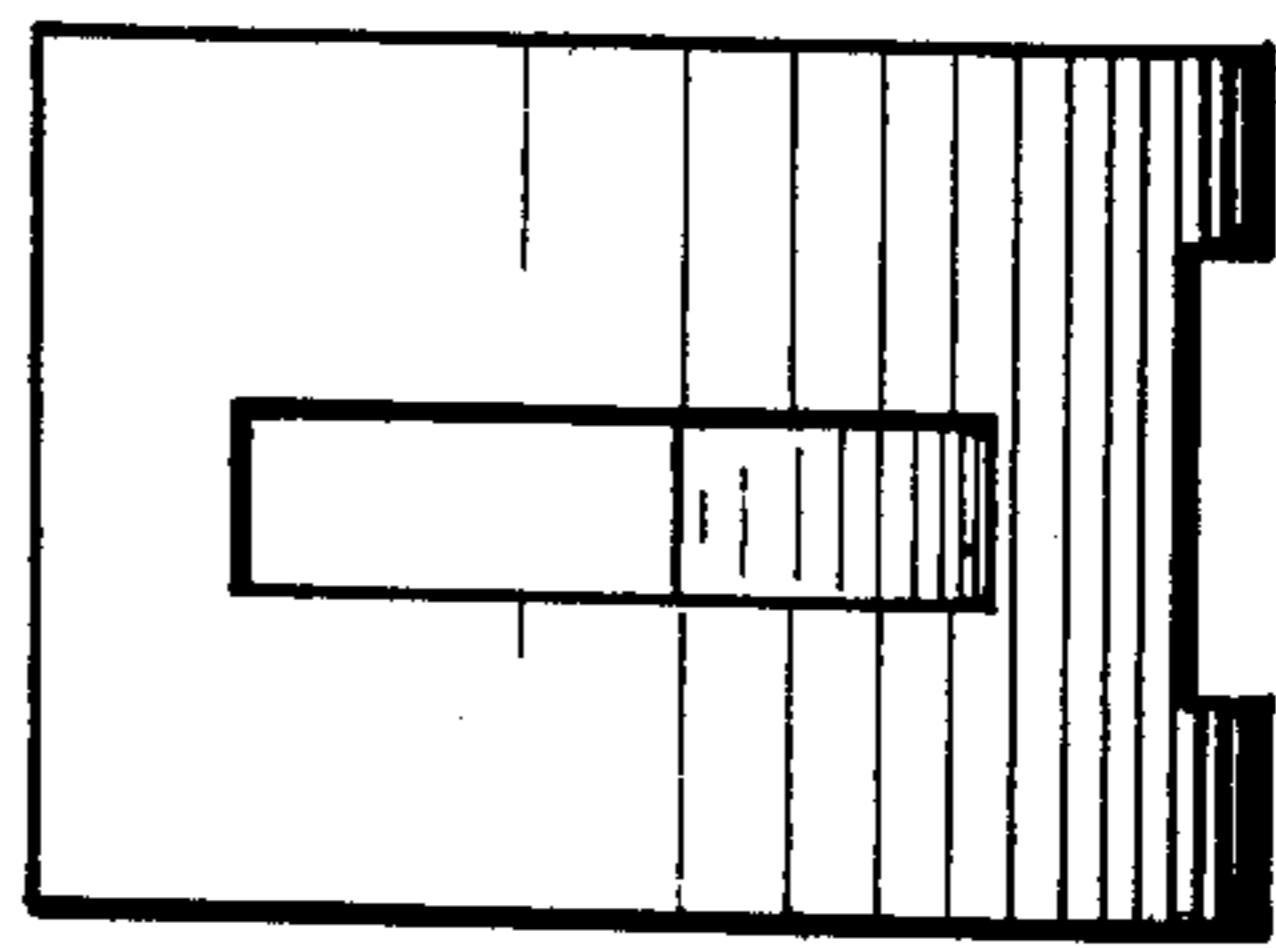


FIG. 4