

[54] **MOTOR PUMP HOUSING FOR A DENTAL JET IRRIGATOR AND COVER THEREFOR**

[75] Inventors: **Frederick G. Mackay, Tarzana; Spencer L. Mackay, Glendale; Allan B. Johnson, Tarzana, all of Calif.**

[73] Assignee: **Teledyne Industries, Inc.**

[**] Term: **14 Years**

[21] Appl. No.: **749,671**

[22] Filed: **Dec. 13, 1976**

[51] Int. Cl. **D24-03**

[52] U.S. Cl. **D24/15**

[58] Field of Search **128/66, 62 A; D24/15**

[56] **References Cited**

U.S. PATENT DOCUMENTS

- D. 210,018 1/1968 Mattingly et al. D24/15
- D. 210,020 1/1968 Mackay et al. D24/15

- D. 220,334 3/1971 Mackay et al. D24/15
- D. 220,336 3/1971 Mullins et al. D24/15 X
- 3,393,673 7/1968 Mattingly 128/66
- 3,420,228 1/1969 Kalbfeld 128/66

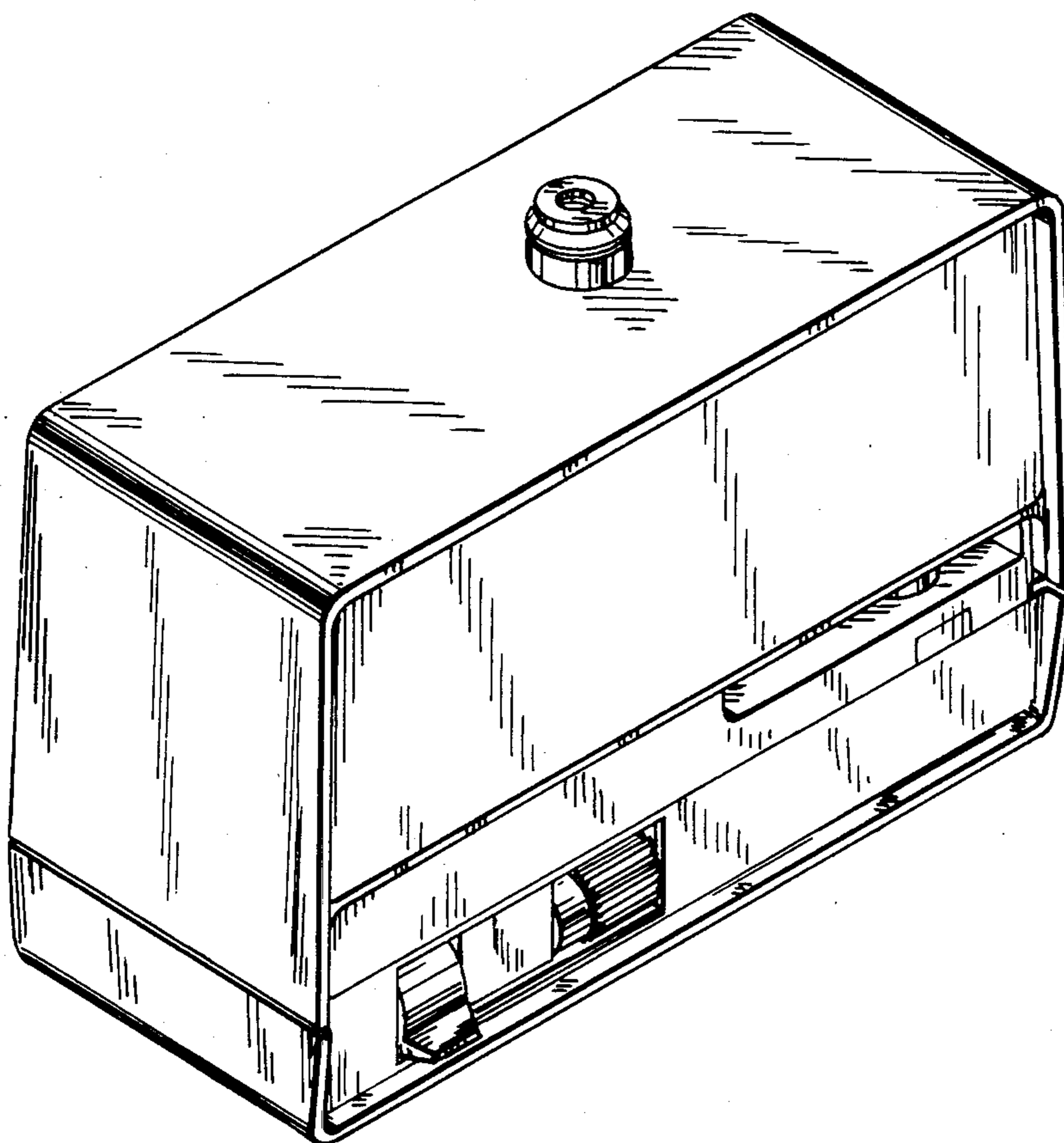
Primary Examiner—Bernard Ansher
Attorney, Agent, or Firm—Hugh H. Drake

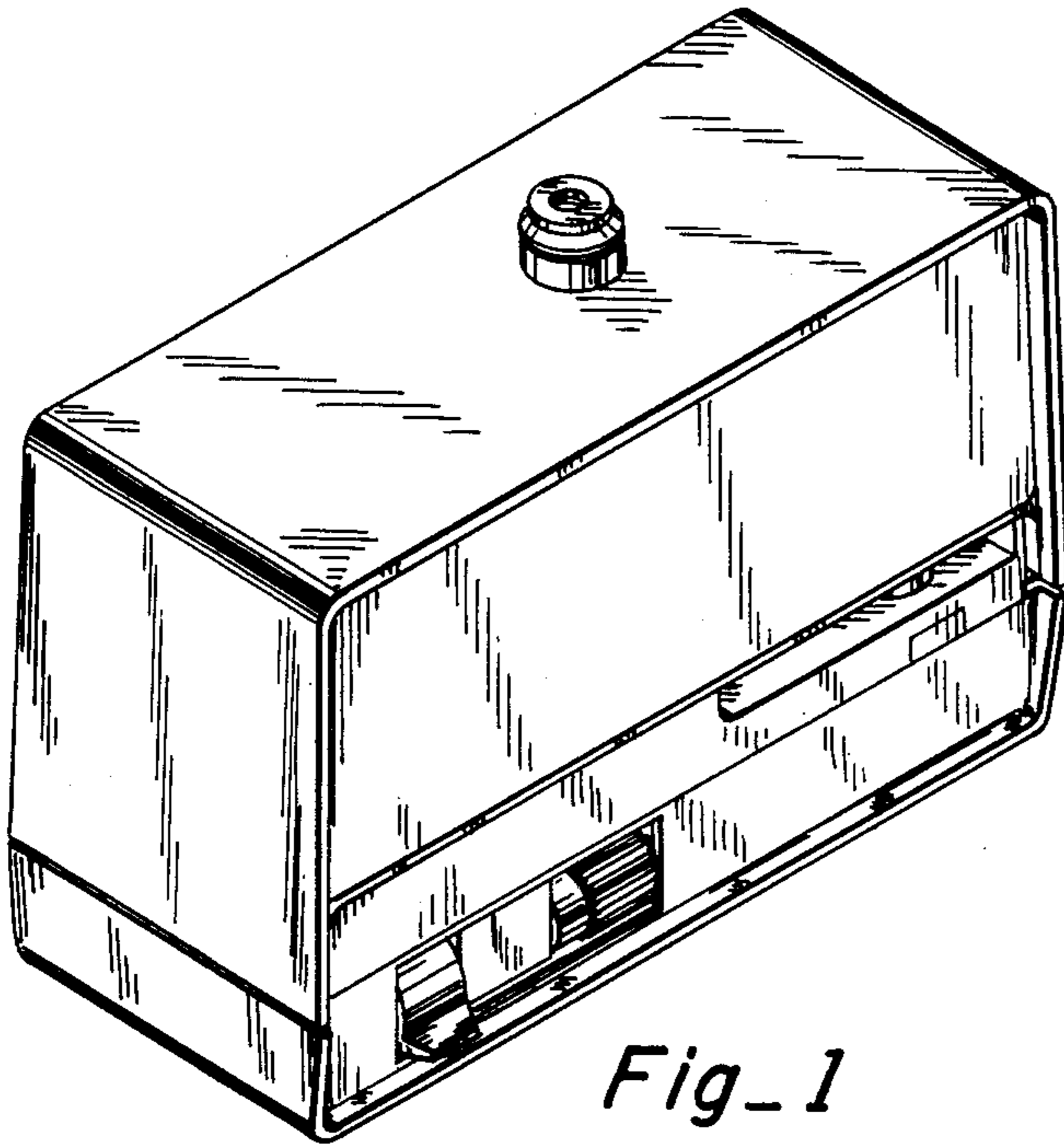
[57] **CLAIM**

The ornamental design for a motor pump housing for a dental jet irrigator and cover therefor, as shown.

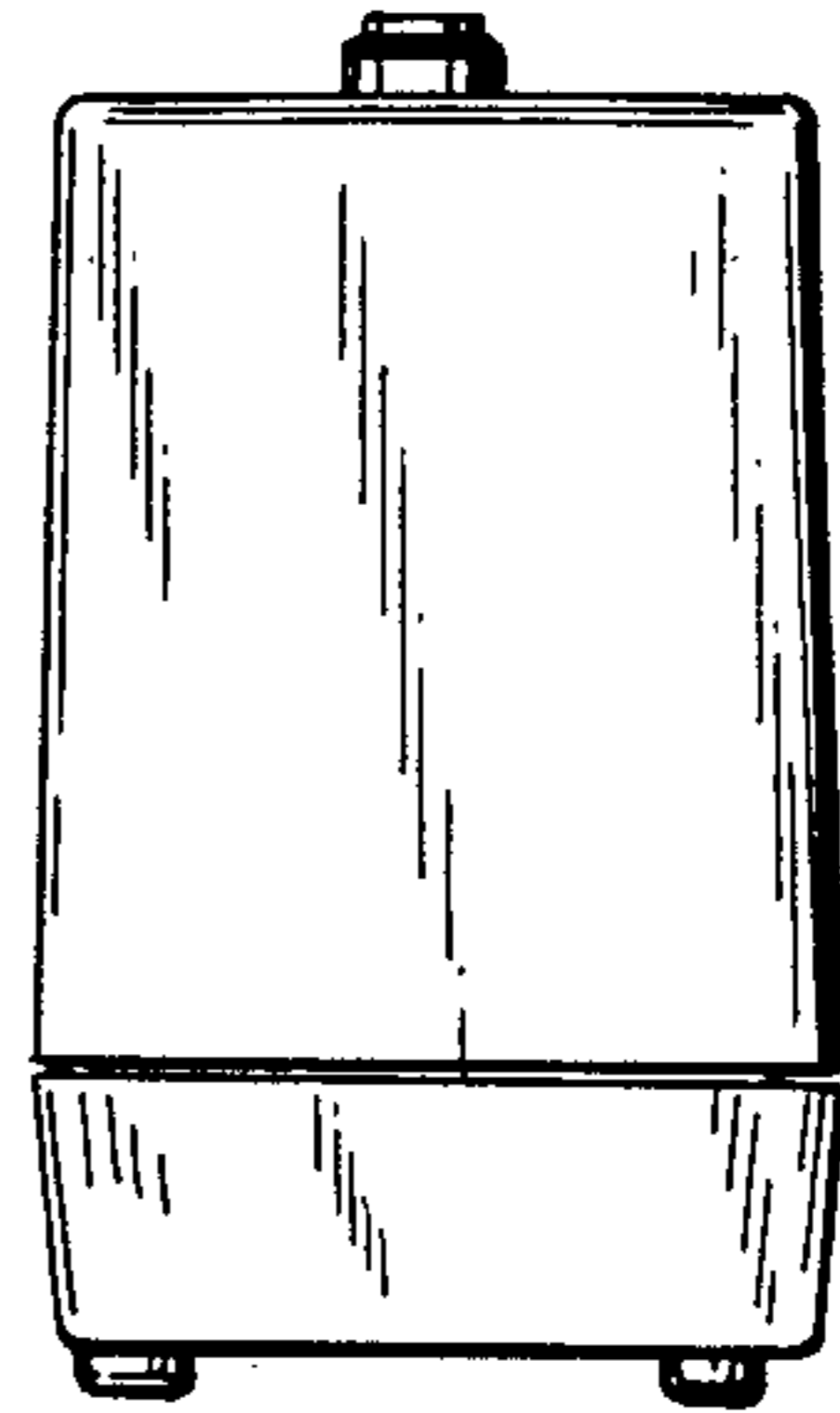
DESCRIPTION

FIG. 1 is a perspective view of a motor pump housing for a dental jet irrigator and cover therefor embodying the new design;
FIG. 2 is a front elevational view thereof;
FIG. 3 is a left-end elevational view thereof;
FIG. 4 is a right-end elevational view thereof;
FIG. 5 is a rear elevational view thereof;
FIG. 6 is a top plan view thereof; and
FIG. 7 is a bottom plan view thereof.





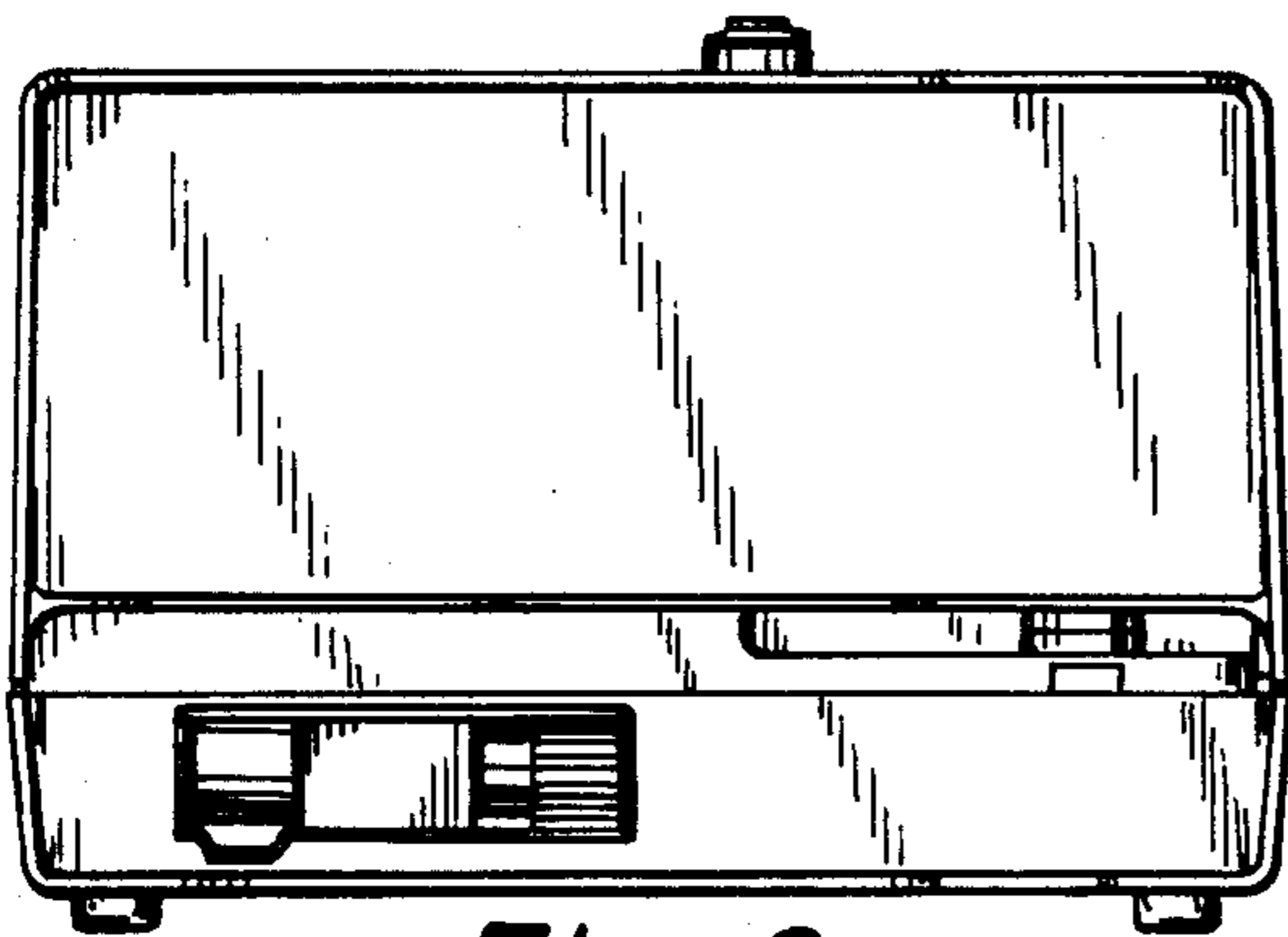
Fig_1



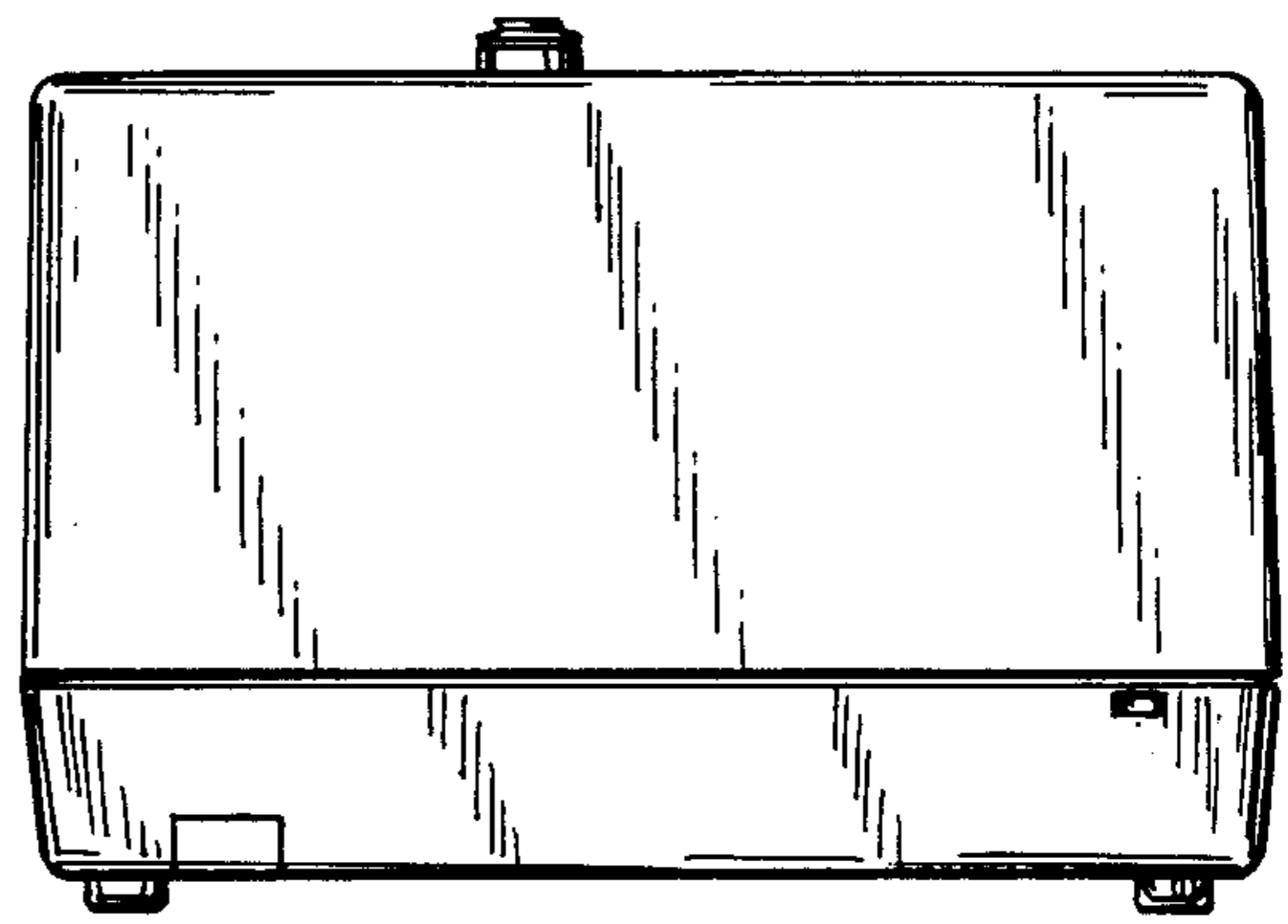
Fig_3



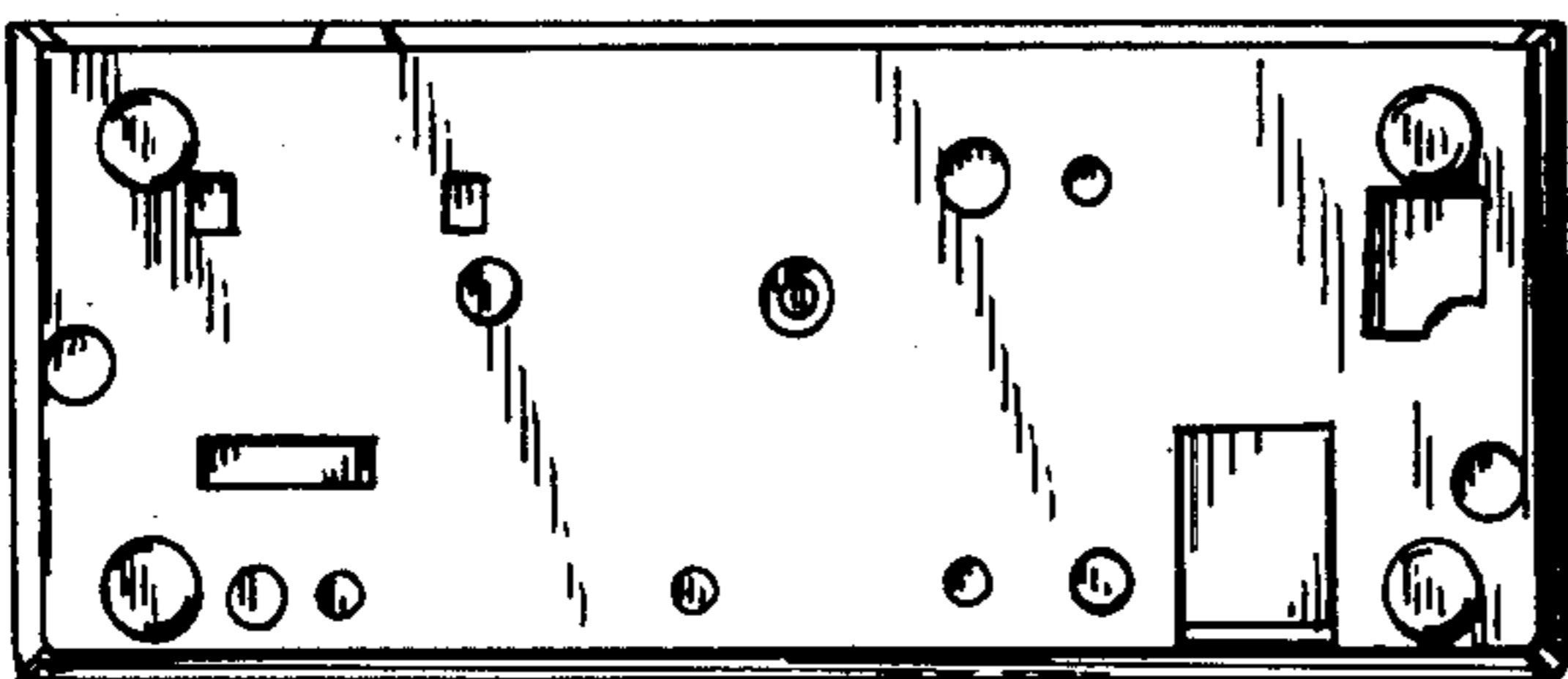
Fig_4



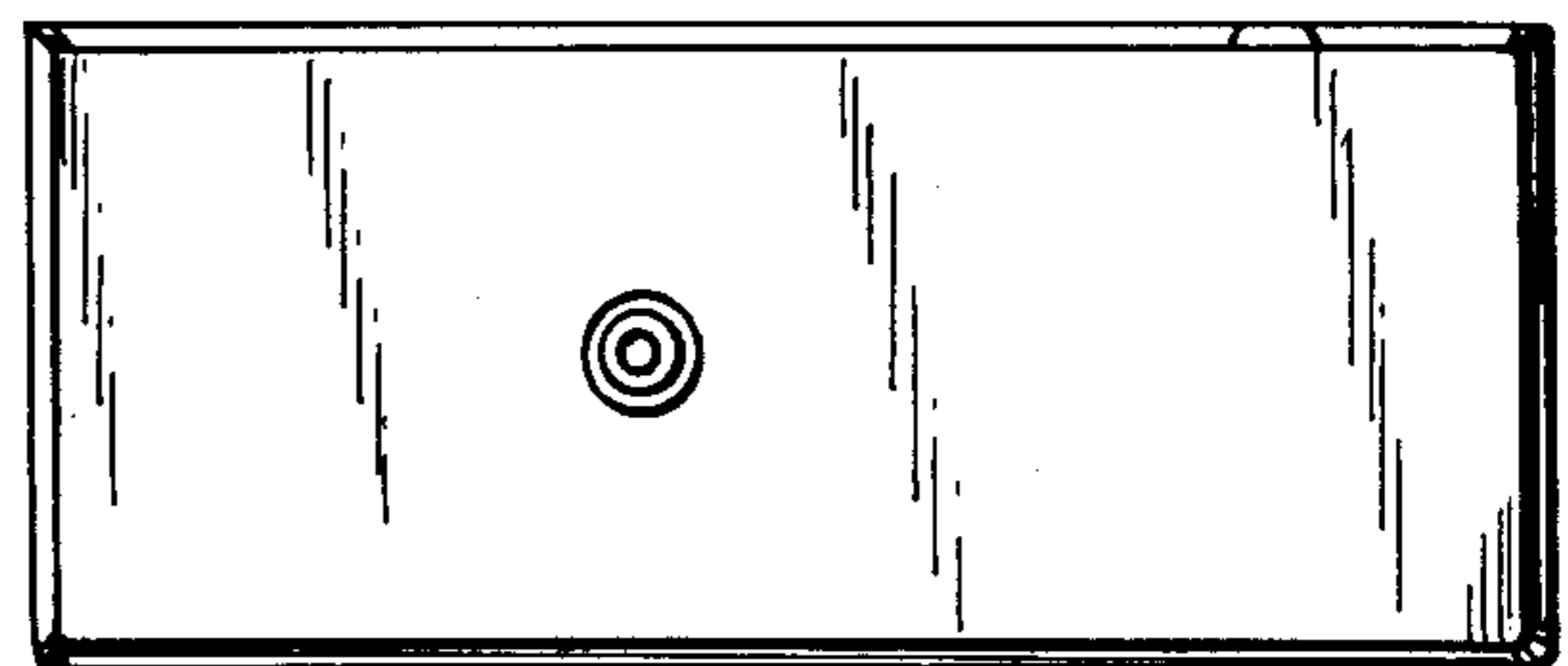
Fig_2



Fig_5



Fig_7



Fig_6