

[54] MOTOR PUMP HOUSING FOR A DENTAL IRRIGATOR

[75] Inventors: Frederick G. Mackay, Tarzana; Spencer L. Mackay, Glendale; Allan B. Johnson, Tarzana, all of Calif.

[73] Assignee: Teledyne Industries, Inc.

[\*\*] Term: 14 Years

[21] Appl. No.: 749,672

[22] Filed: Dec. 13, 1976

[51] Int. Cl. .... D24-03

[52] U.S. Cl. .... D24/15

[58] Field of Search ..... 128/66, 62 A; D24/15

[56] References Cited

U.S. PATENT DOCUMENTS

D. 210,018 1/1968 Mattingly et al. .... D24/15

D. 210,020 1/1968 Mackay et al. .... D24/15  
D. 220,334 3/1971 Mackay et al. .... D24/15  
D. 220,336 3/1971 Mullins et al. .... D24/15  
3,393,673 7/1968 Mattingly ..... D24/15 X  
3,420,228 1/1969 Kalbfeld ..... 128/66

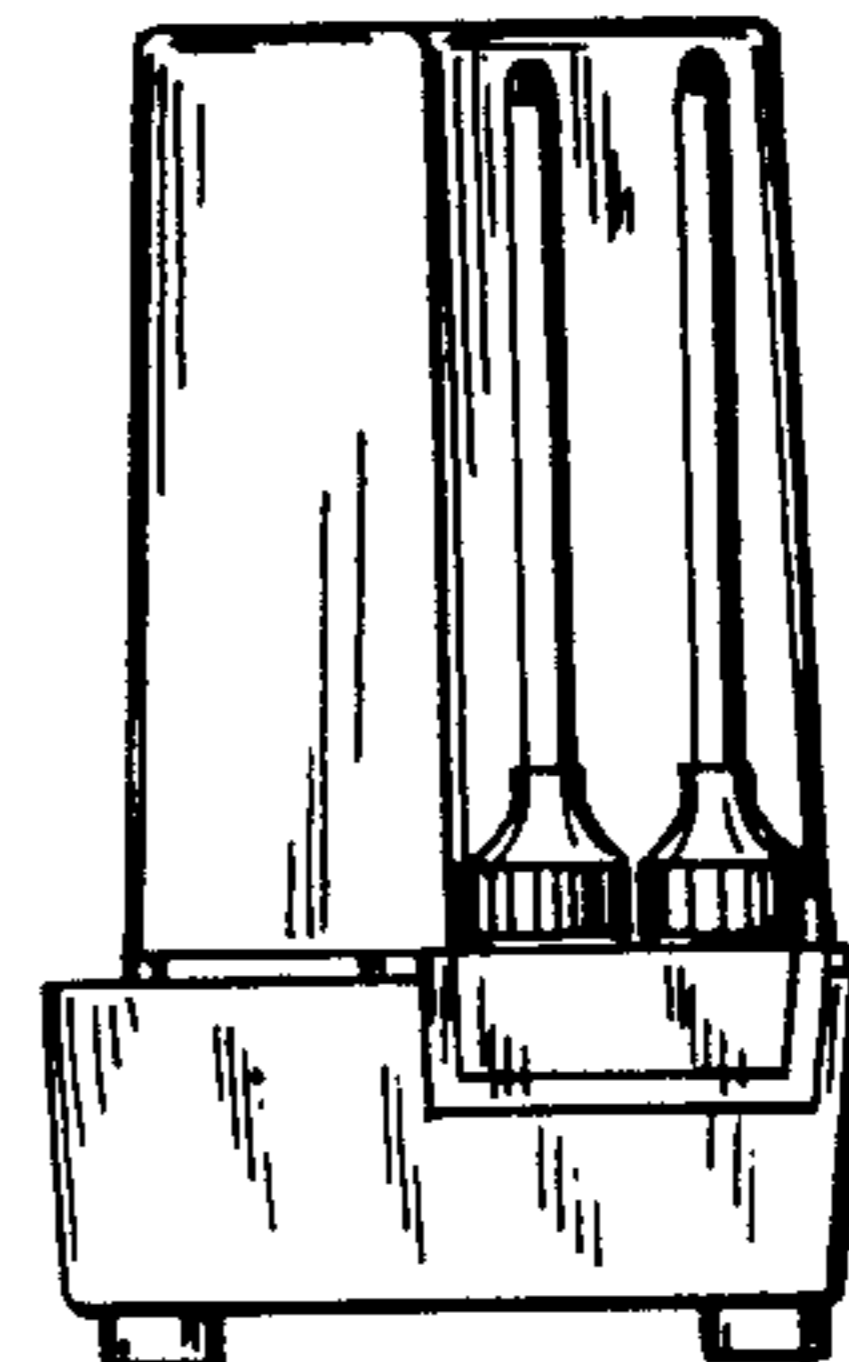
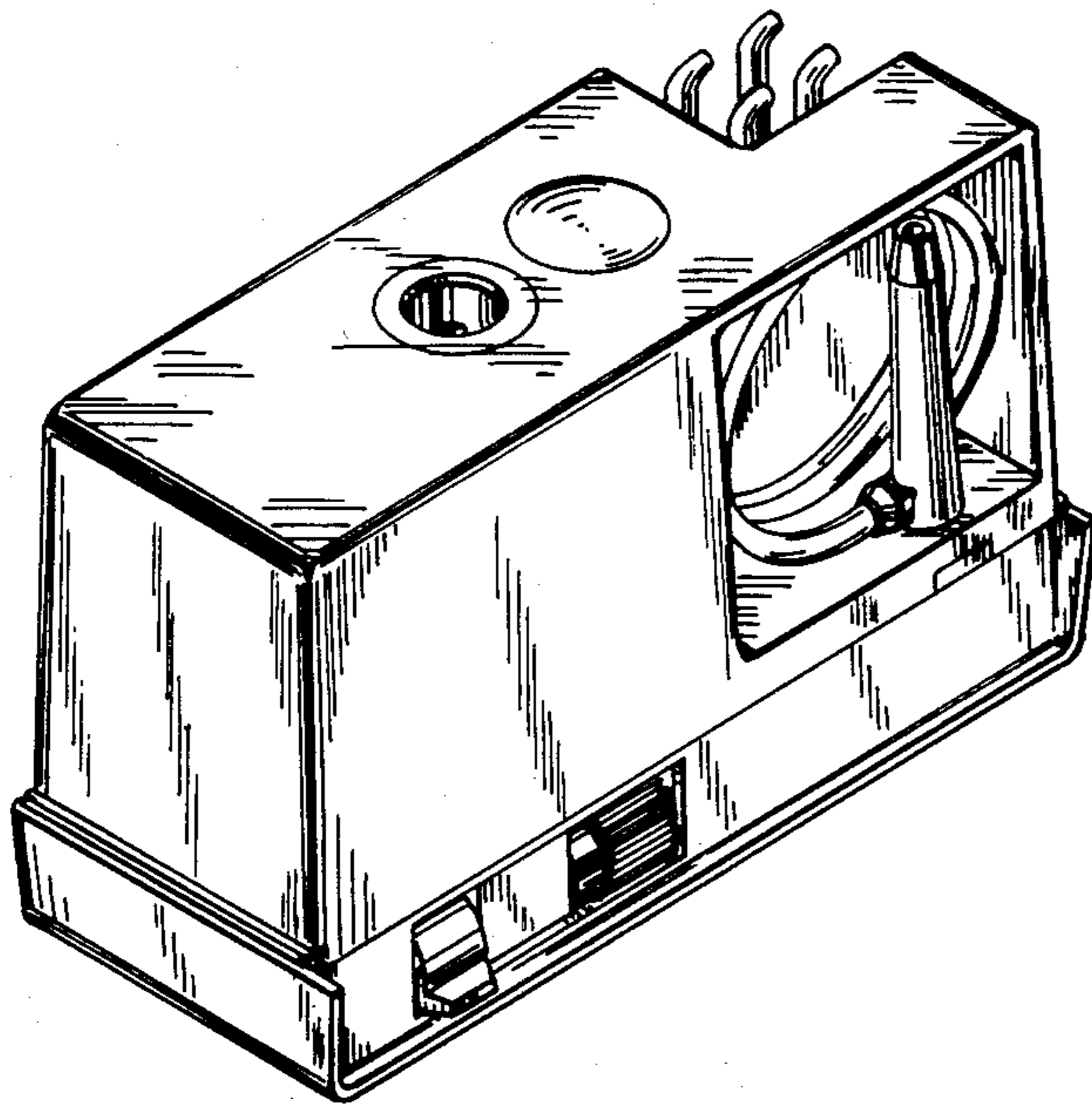
Primary Examiner—Bernard Ansher  
Attorney, Agent, or Firm—Hugh H. Drake

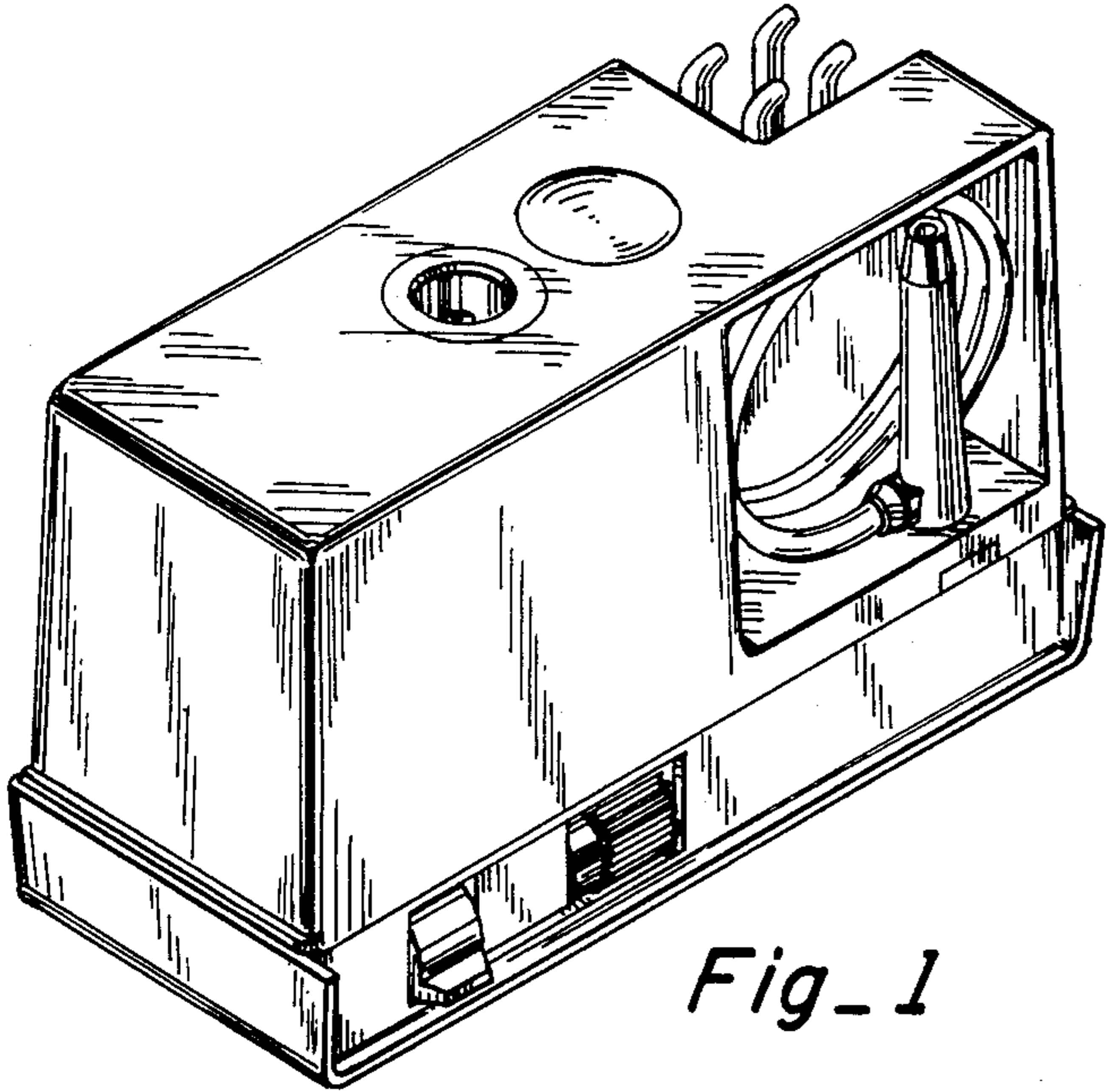
[57] CLAIM

The ornamental design for a motor pump housing for a dental jet irrigator, as shown.

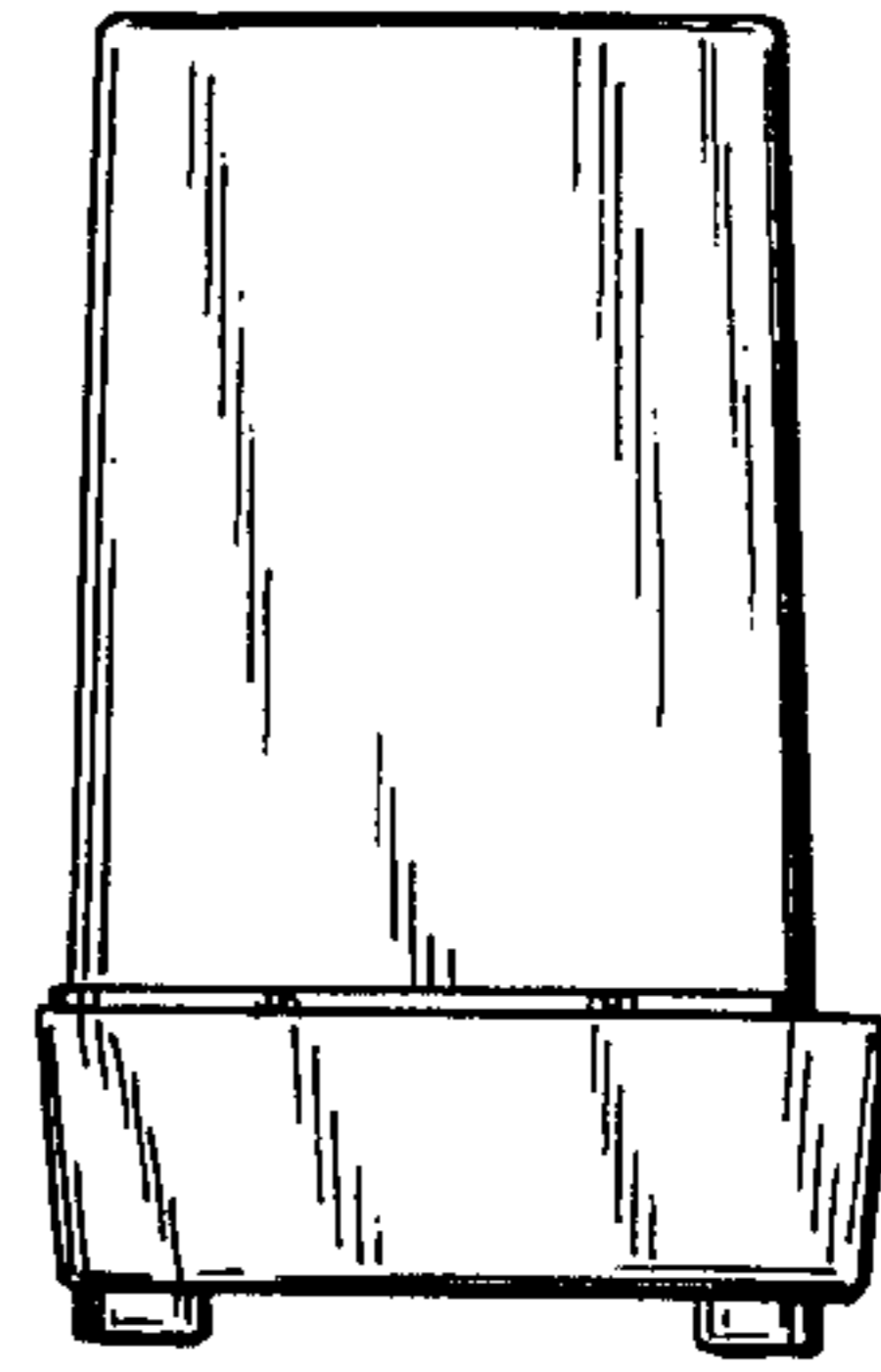
DESCRIPTION

FIG. 1 is a perspective view of a motor pump housing for a dental jet irrigator embodying the new design; FIG. 2 is a front elevational view thereof; FIG. 3 is a left-end elevational view thereof; FIG. 4 is a right-end elevational view thereof; FIG. 5 is a rear elevational view thereof; FIG. 6 is a top plan view thereof; and FIG. 7 is a bottom plan view thereof.

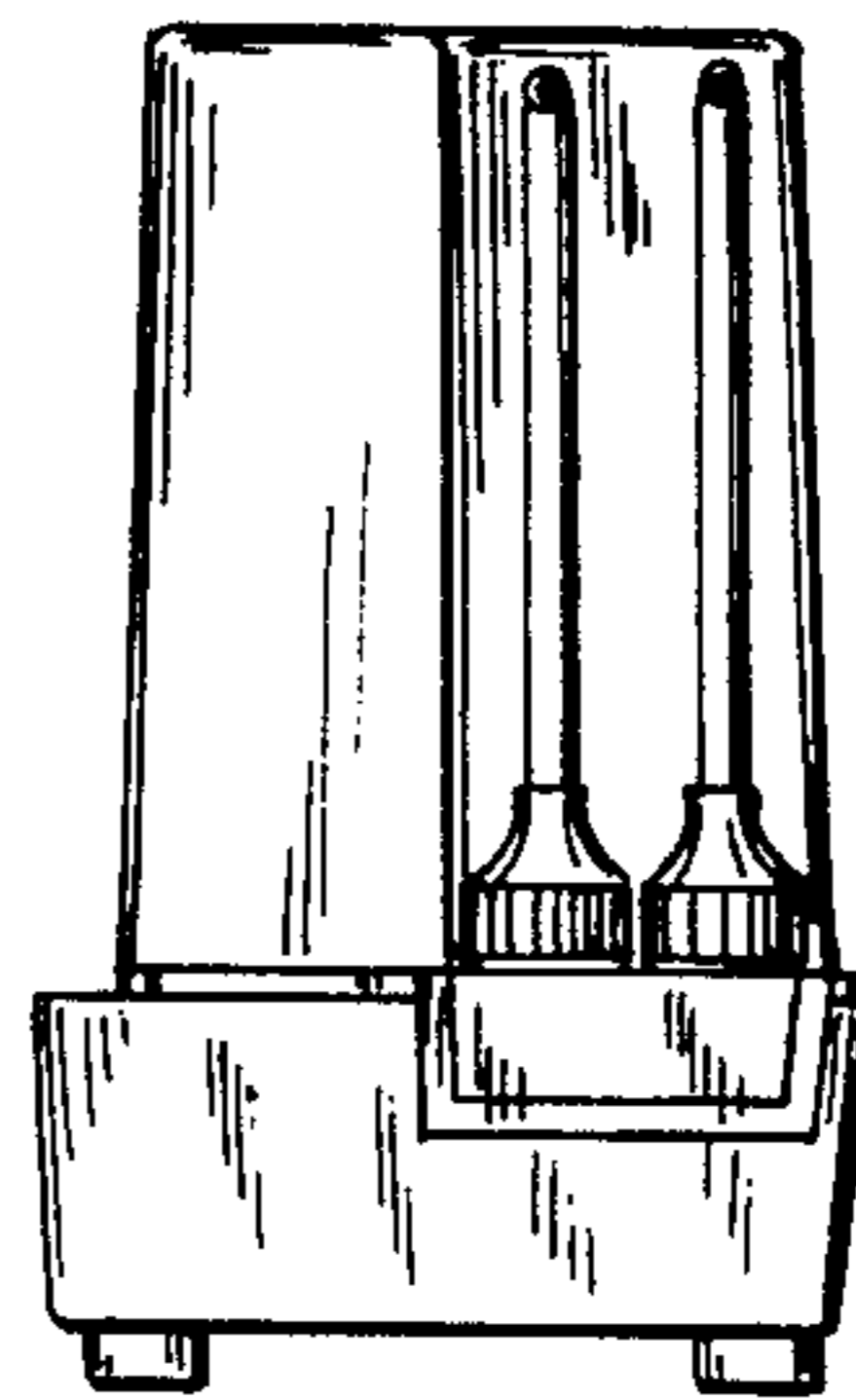




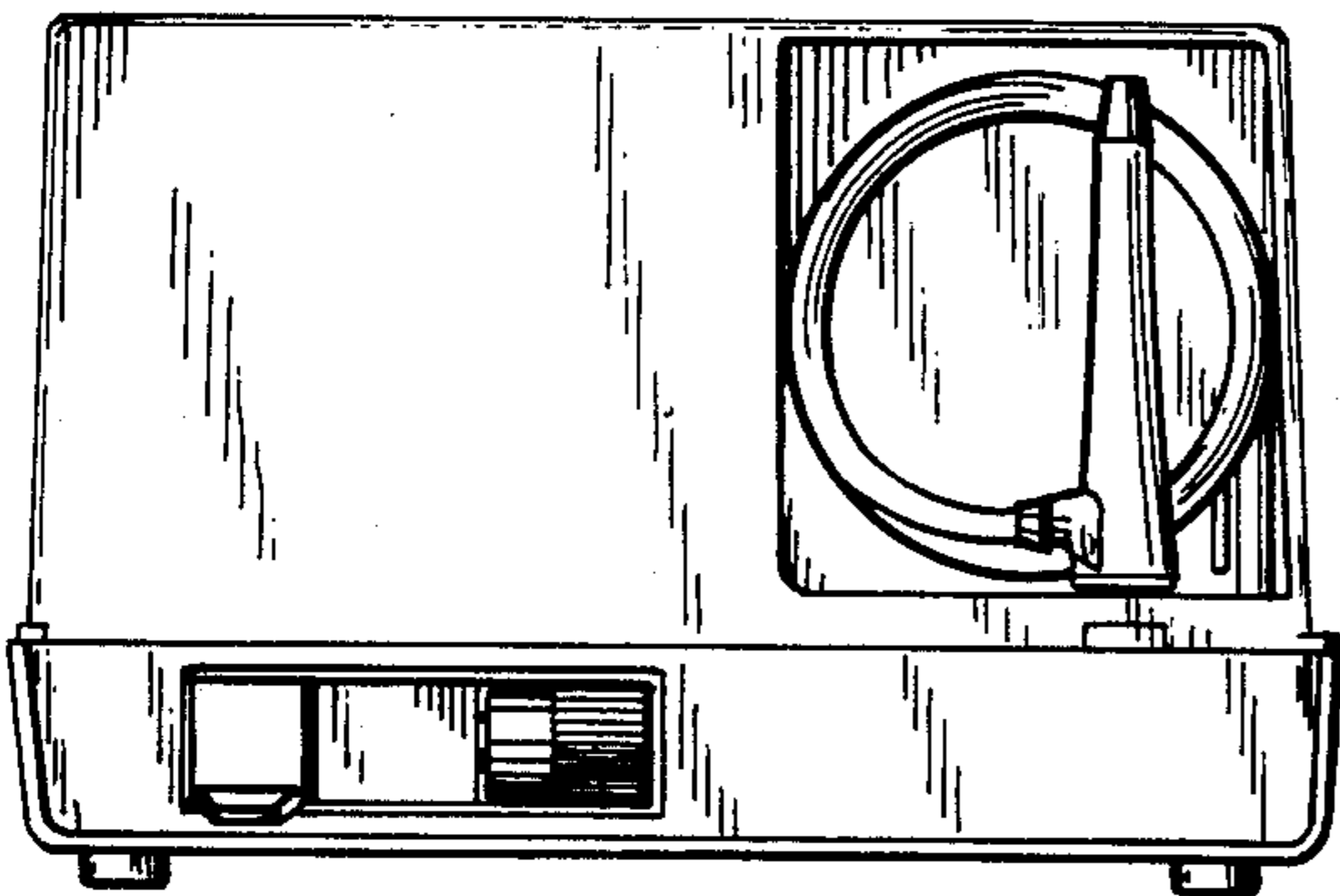
*Fig\_1*



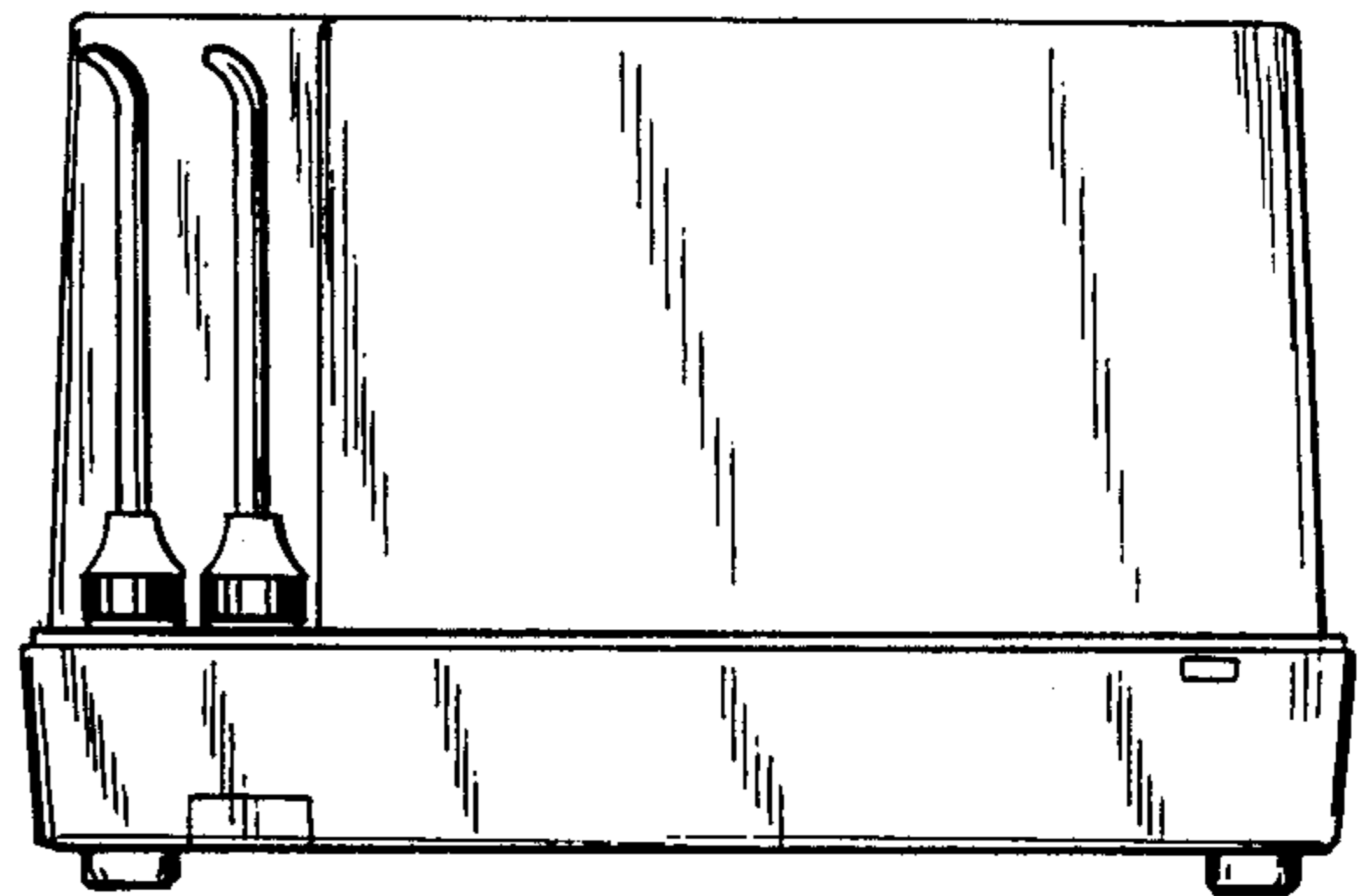
*Fig\_3*



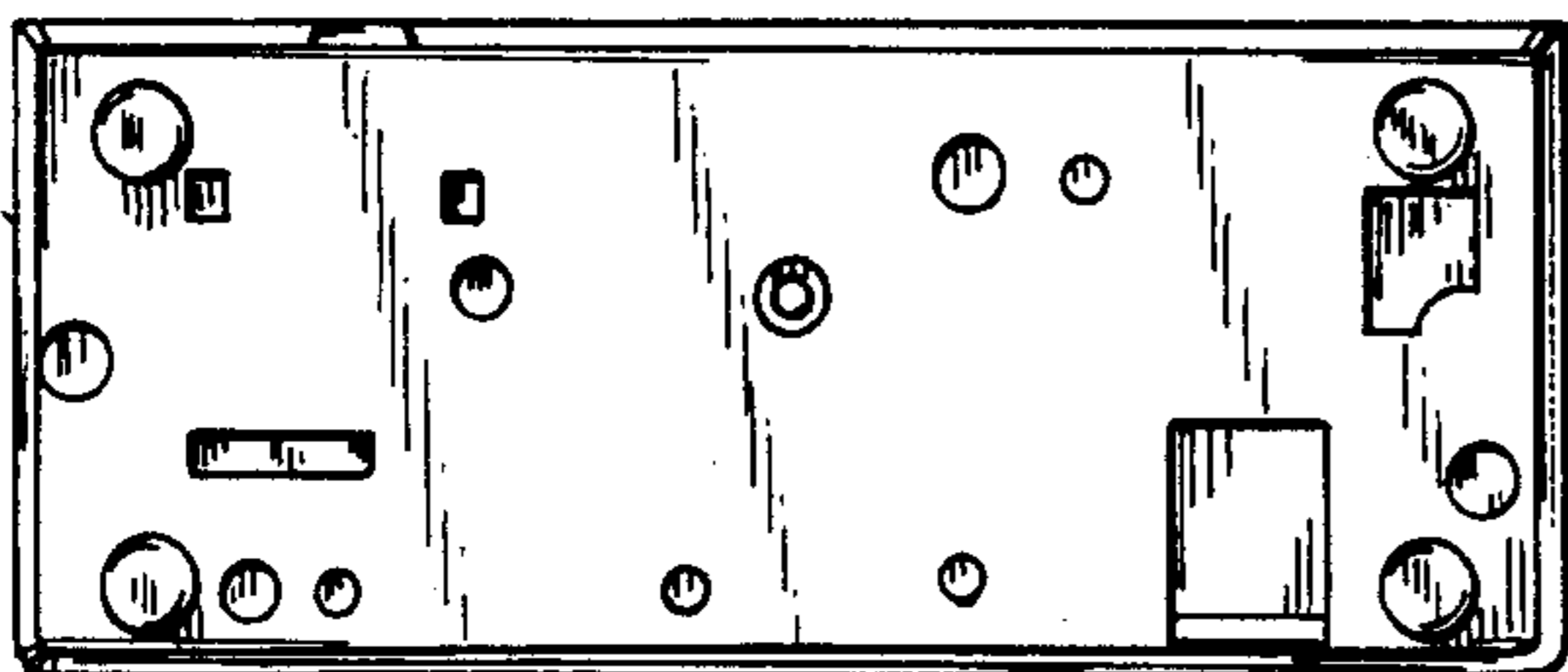
*Fig\_4*



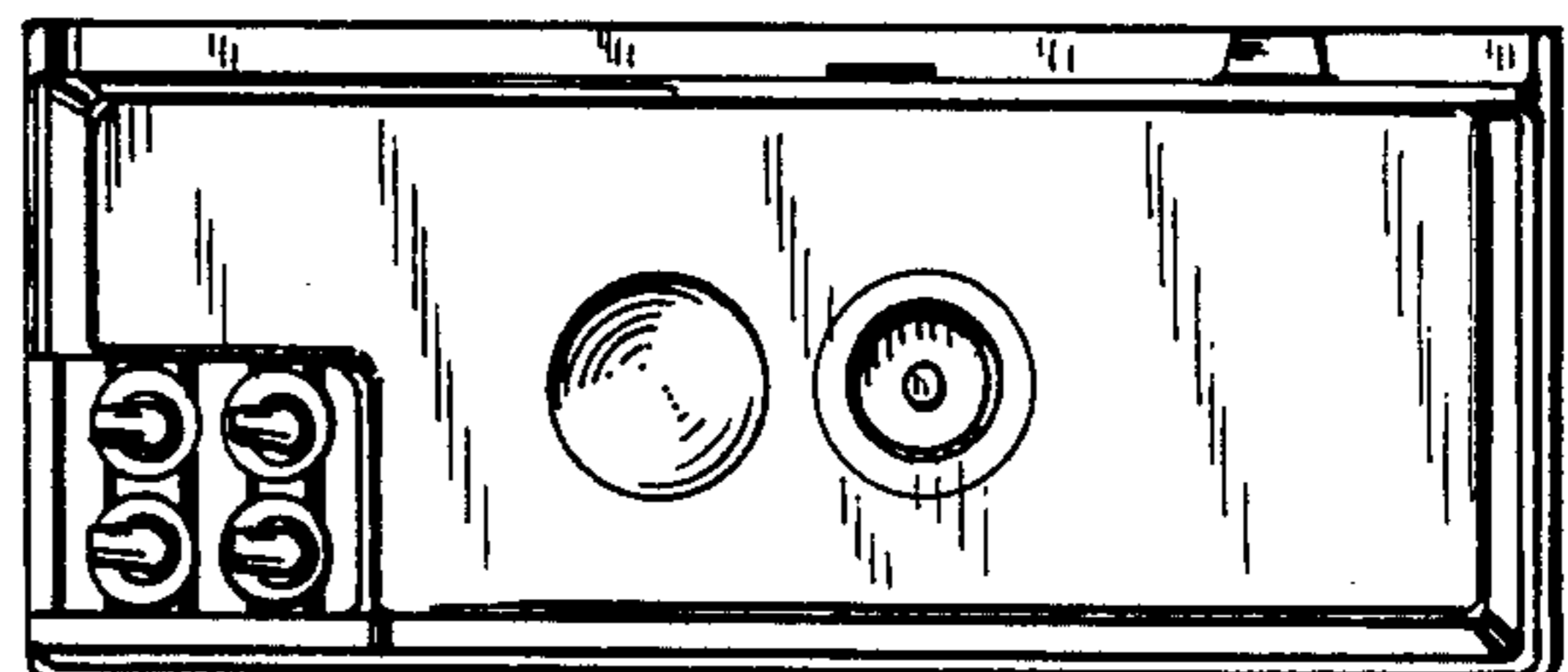
*Fig\_2*



*Fig\_5*



*Fig\_7*



*Fig\_6*