

[54] **BIOLOGICAL MONITORING CHAMBER**

[76] Inventor: **Harold E. Schlichting, Jr.**, 151 S. Ridge St., Port Sanilac, Mich. 48469

[**] Term: **14 Years**

[21] Appl. No.: **512,661**

[22] Filed: **Oct. 8, 1974**

[51] Int. Cl. **D24—01**

[52] U.S. Cl. **D24/8**

[58] Field of Search **D32/2 B; D9/216; 23/230 B, 259 T; 141/98; 195/127, 139, 103.5; 24/19, 16 PB, 20 R; 339/251; D24/8, 99; D23/4, 3**

[56] **References Cited**

U.S. PATENT DOCUMENTS

944,752	12/1909	Vogel	339/251
2,677,646	5/1954	Lovell et al.	195/139
3,197,384	7/1965	Goldman	195/103.5
3,684,660	8/1972	Kereluk et al.	195/139
3,927,701	12/1975	Lederer	141/98

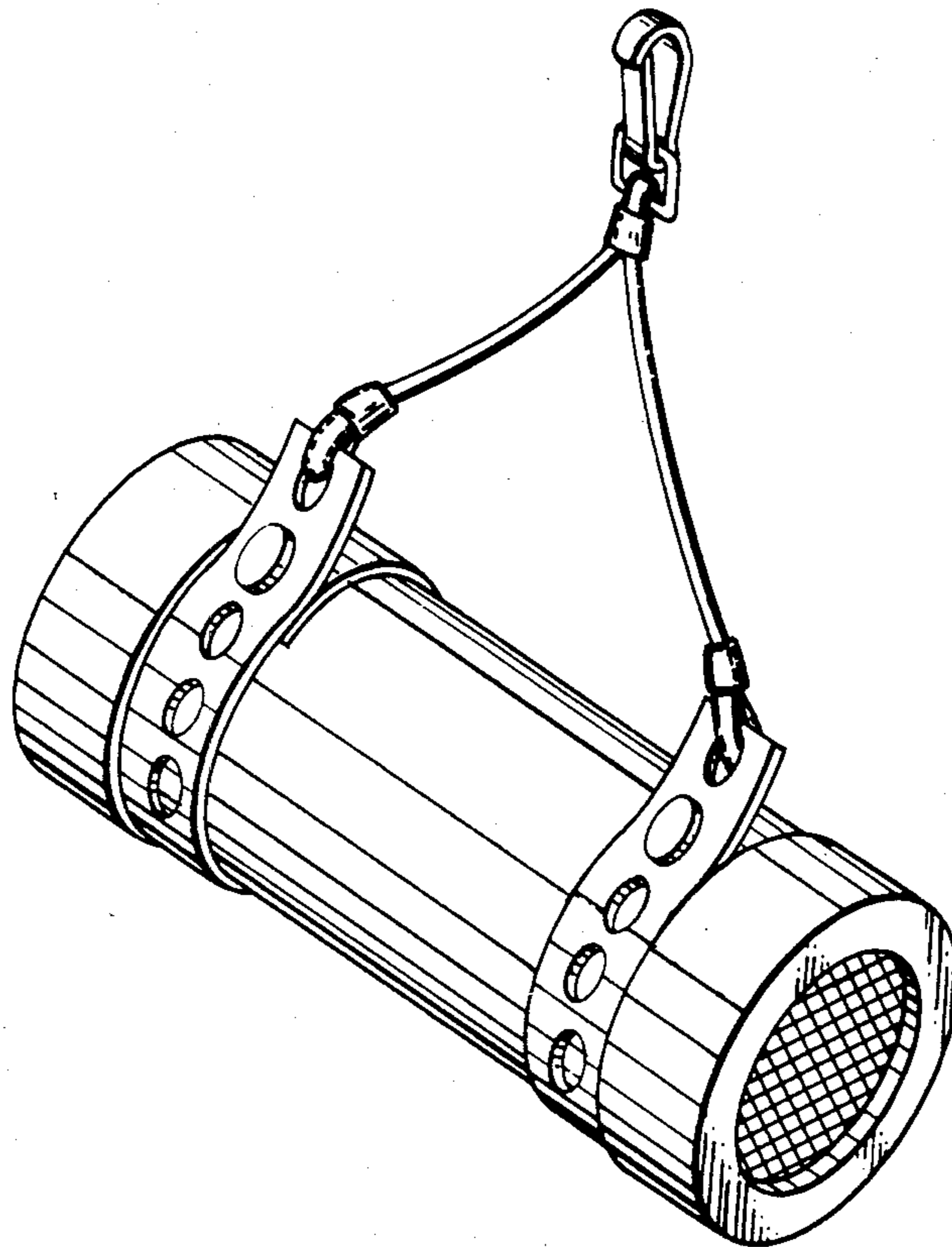
Primary Examiner—Bernard Ansher

[57] **CLAIM**

The ornamental design for a biological monitoring chamber, as shown and described.

DESCRIPTION

FIG. 1 is a perspective view of a biological monitoring chamber showing my new design; FIG. 2 is a side elevation thereof, the opposite side being a mirror image of the side shown; and FIG. 3 is a fragmentary exploded perspective view.



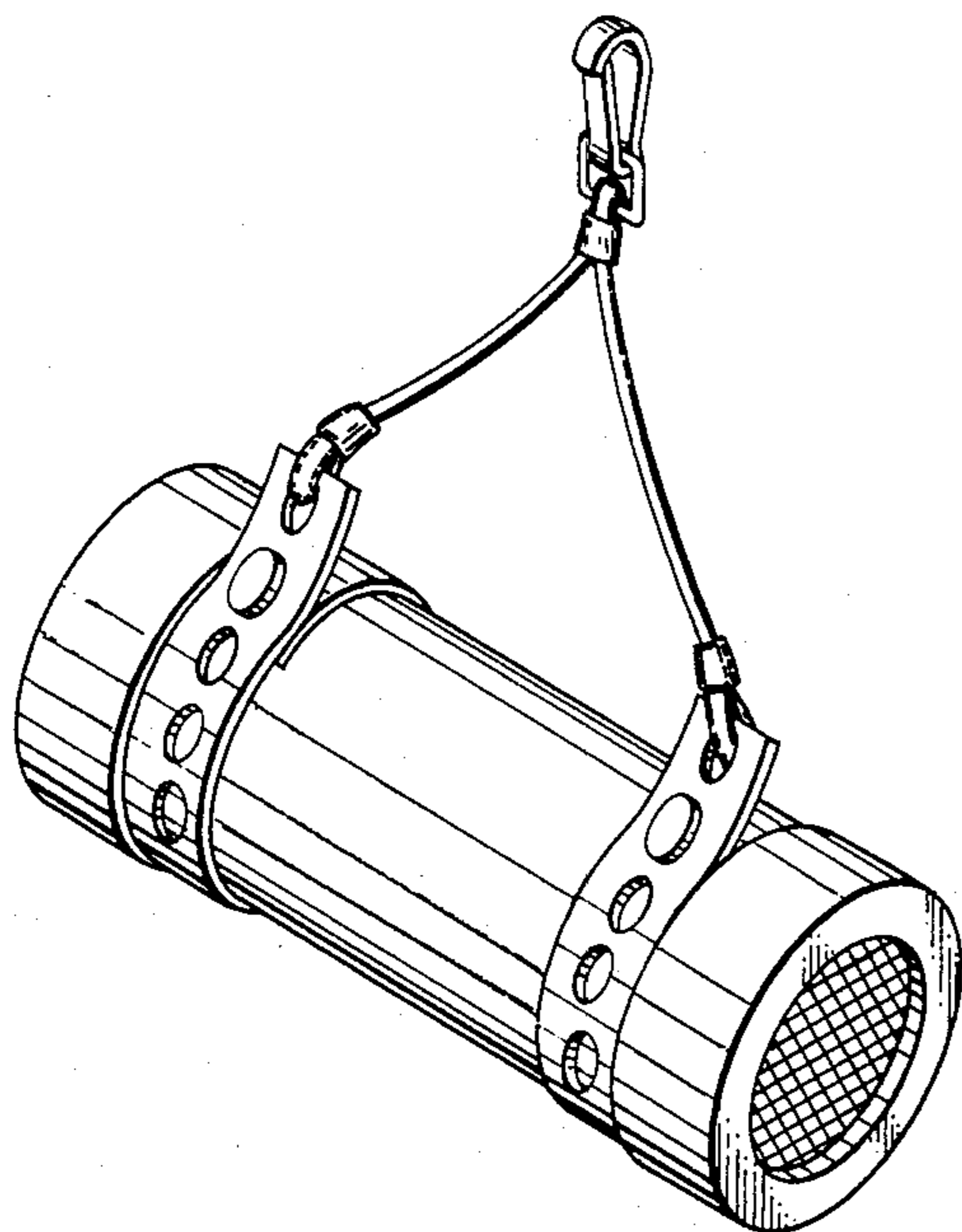


FIG. 1.

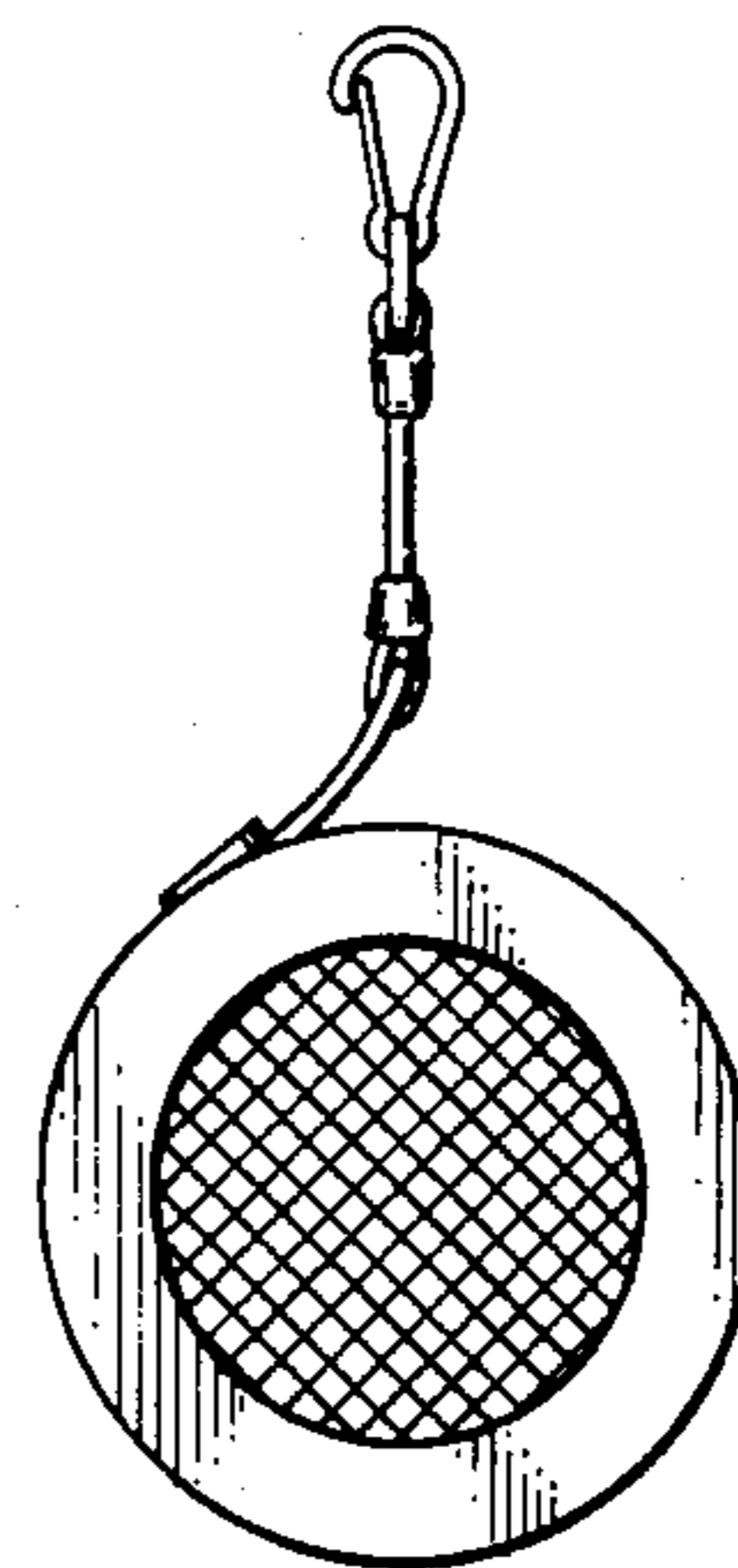


FIG. 2.

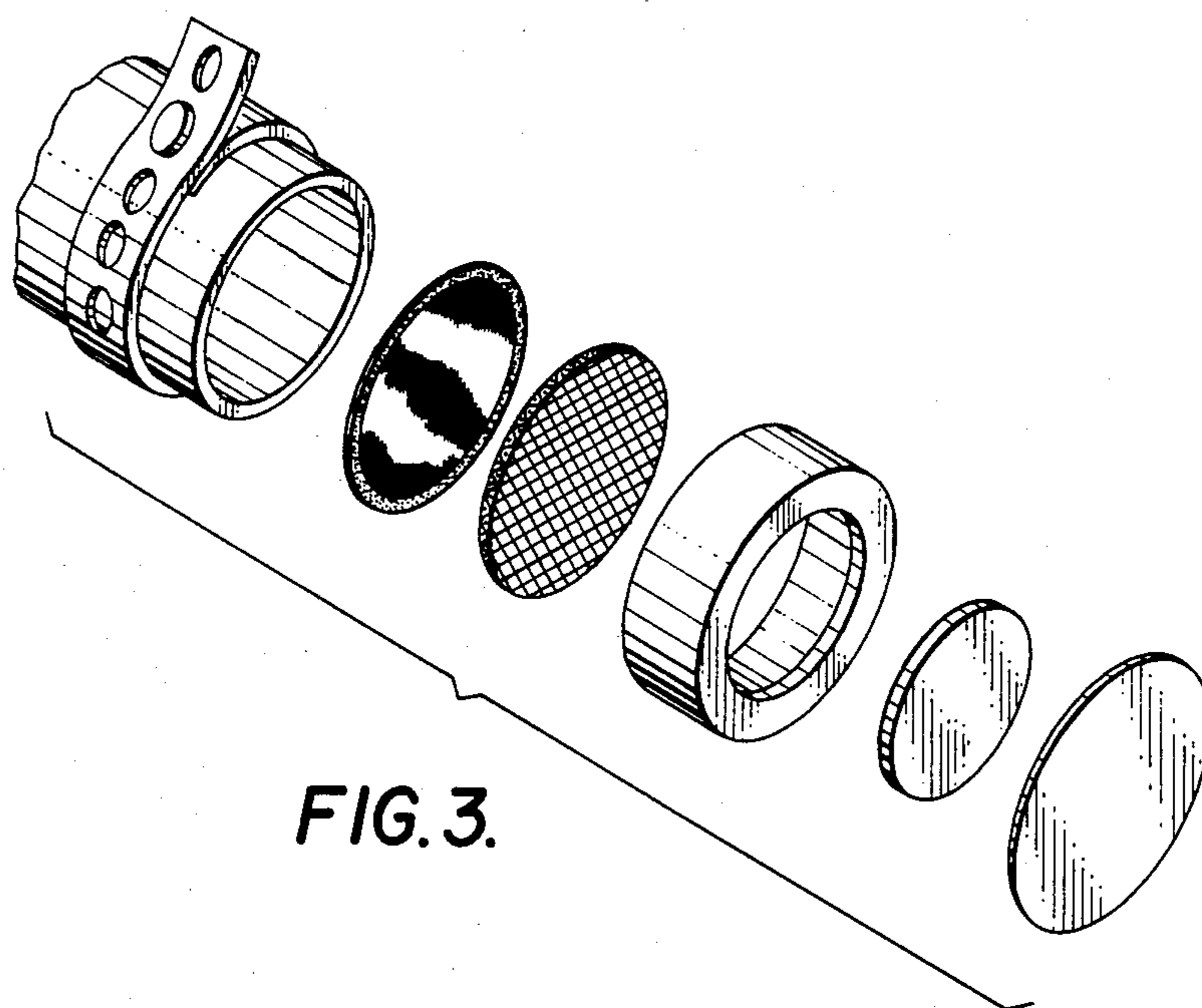


FIG. 3.