

[54] MULTI-PURPOSE FISHERMAN'S TOOL, OR
SIMILAR ARTICLE

[76] Inventor: Jack T. Sing, P.O. Box 287, Murrell's
Inlet, S.C. 29576

[**] Term: 14 Years

[21] Appl. No.: 678,464

[22] Filed: Apr. 20, 1976

[51] Int. Cl. D7-03; D8-03;
D22-05

[52] U.S. Cl. D22/31

[58] Field of Search 43/53.5; D22/31, 95;
D7/137, 147, 148; D8/82, 83, 87, 105

[56]

References Cited

U.S. PATENT DOCUMENTS

D. 205,664	9/1966	Drake	D22/31
D. 240,035	5/1976	Ruth	D22/31
2,736,126	2/1956	Mathews	43/53.5
3,099,100	7/1963	Wiseman	43/53.5
3,334,437	8/1967	Sawyer	D22/31 X

Primary Examiner—A. Hugo Word
Attorney, Agent, or Firm—Roberts B. Larson

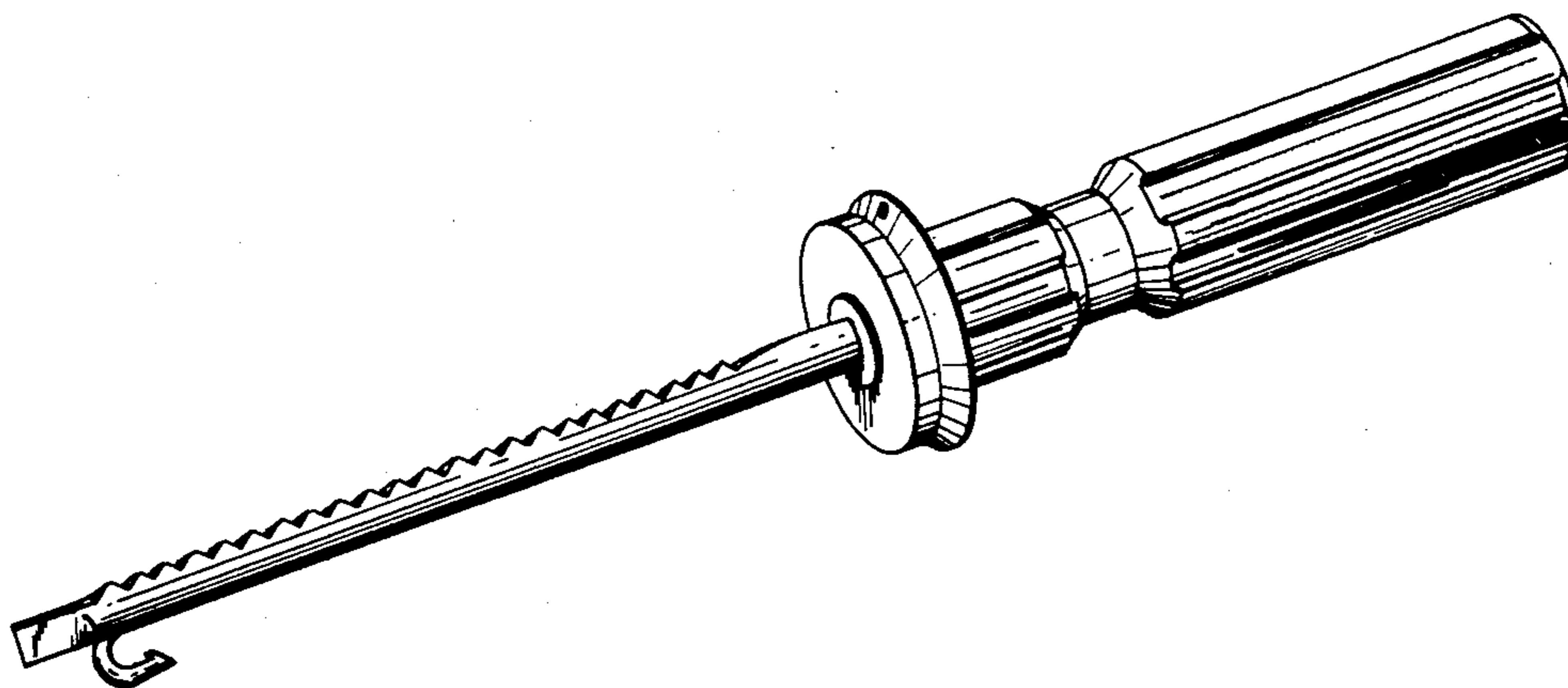
[57]

CLAIM

The ornamental design for a multi-purpose fisherman's tool, or similar article, as shown.

DESCRIPTION

FIG. 1 is a perspective view of a multi-purpose fisherman's tool or similar article showing my new design. FIG. 2 is an elevational view. FIGS. 3 and 4 are, respectively, right and left side views of FIG. 2, but not in the same angular orientation.



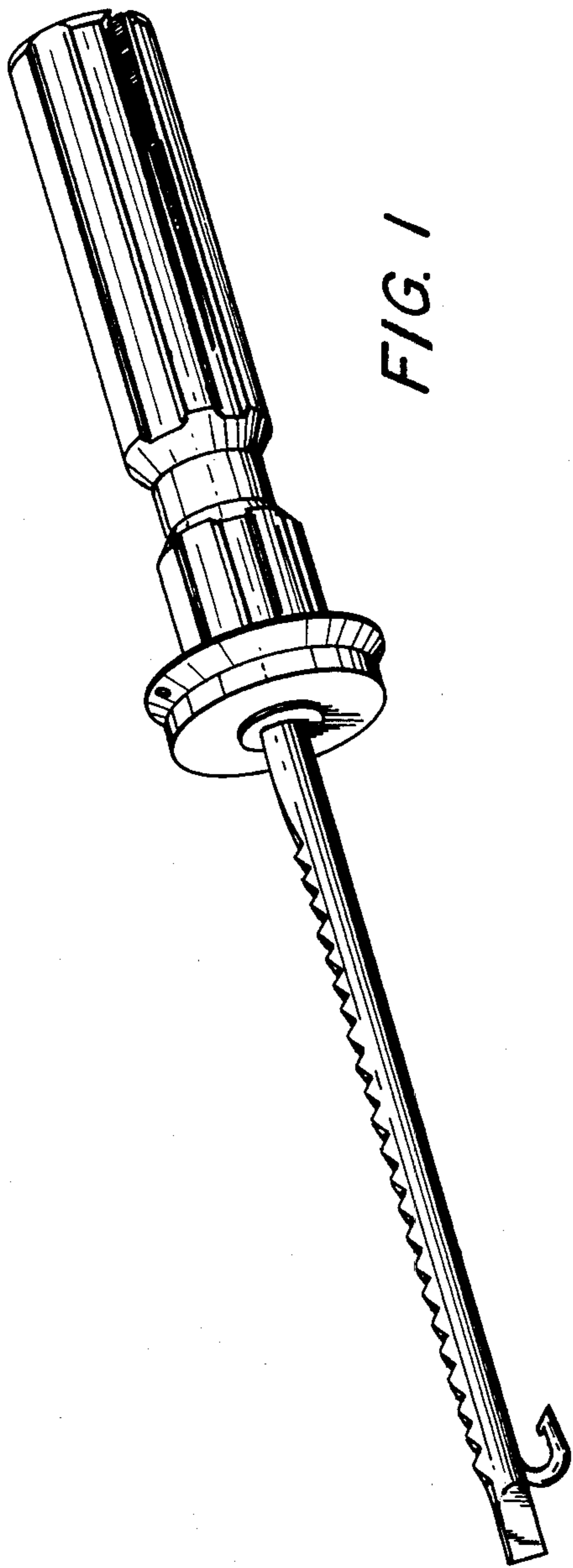


FIG. 1

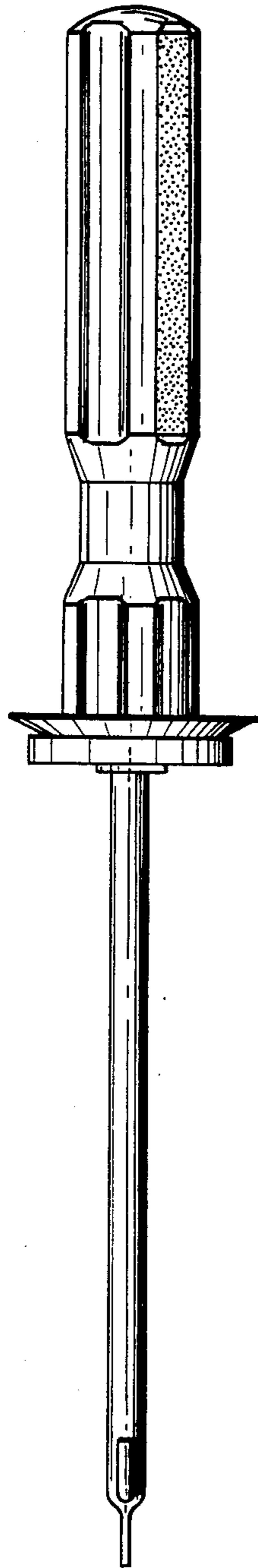


FIG. 2

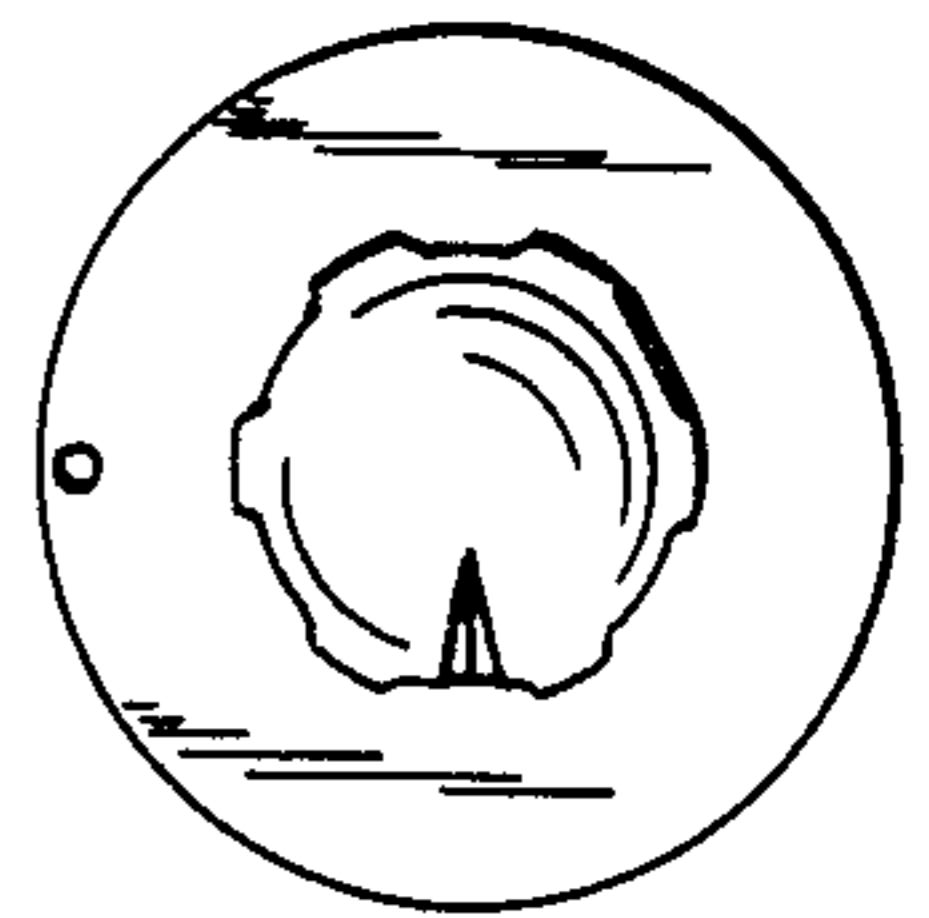


FIG. 3

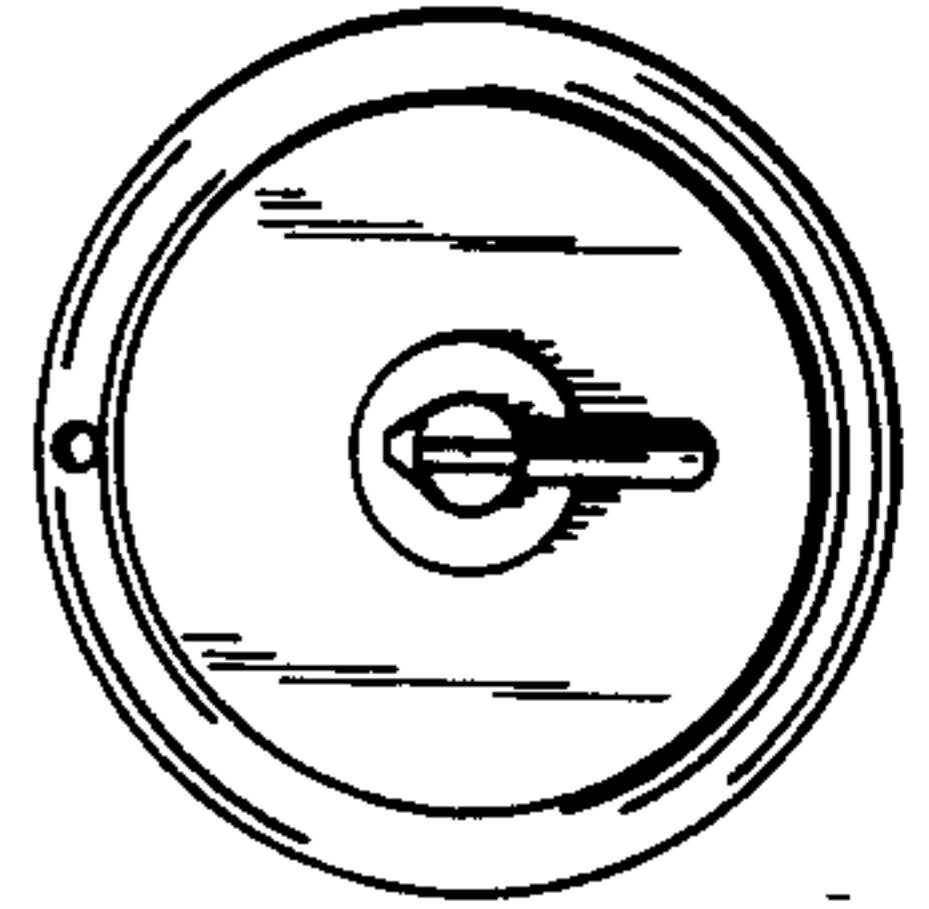


FIG. 4