

[54] FISHING REEL

[75] Inventor: Kiyoshi Okada, Koganei, Japan
[73] Assignee: Daiwa Seiko, Inc., Higashi-kurume, Japan
[**] Term: 14 Years
[21] Appl. No.: 717,781
[22] Filed: Aug. 25, 1976

[30] Foreign Application Priority Data
Feb. 28, 1976 Japan 51-6803

[51] Int. Cl. D22-05
[52] U.S. Cl. D22/25
[58] Field of Search D22/25, 26; 43/18 R, 43/20, 22; 242/84.1 R, 84.1 J, 84.2 R, 84.2 A, 84.2 B, 84.2 C, 84.2 E, 84.2 F, 84.2 G, 84.2 H, 84.2 J, 84.21 R, 84.21 A

[56] References Cited

U.S. PATENT DOCUMENTS

D. 185,730 7/1959 Beger D22/25

OTHER PUBLICATIONS

1960 South Bend Catalog, p. 12, spin cast 89 & 88 reels, bottom of page.

Gander Mountain Summer 1976 Catalog, 17A, rec'd. 5-11-76, p. 2, reel, top left side of page.

Primary Examiner—Wallace R. Burke
Assistant Examiner—James M. Gandy
Attorney, Agent, or Firm—Richard C. Sughrue

[57] CLAIM

The ornamental design for a fishing reel, as shown.

DESCRIPTION

FIG. 1 is top, rear and right side perspective view of a fishing reel showing my new design; and FIG. 2 is a bottom, front and left side perspective view thereof.

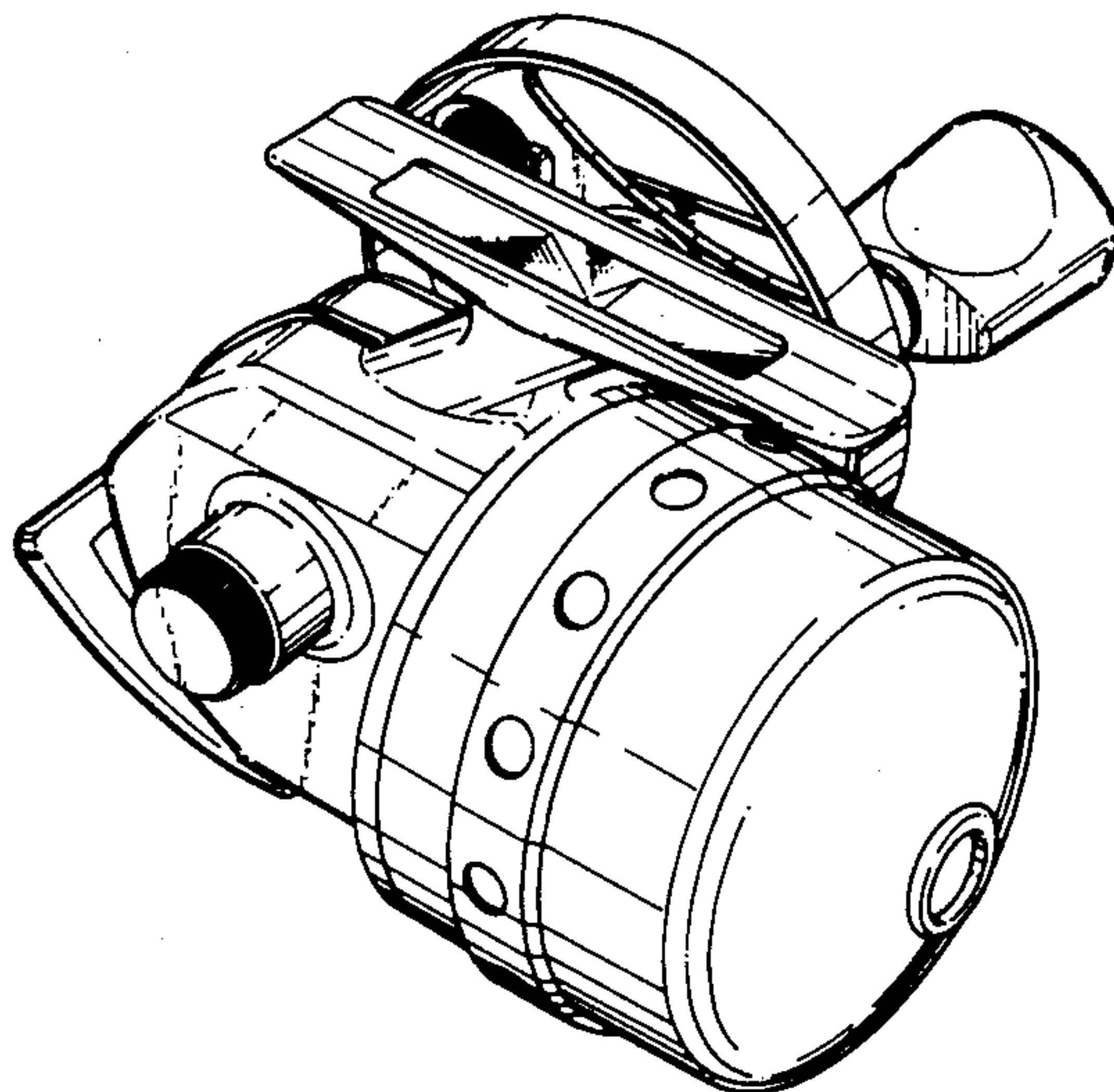
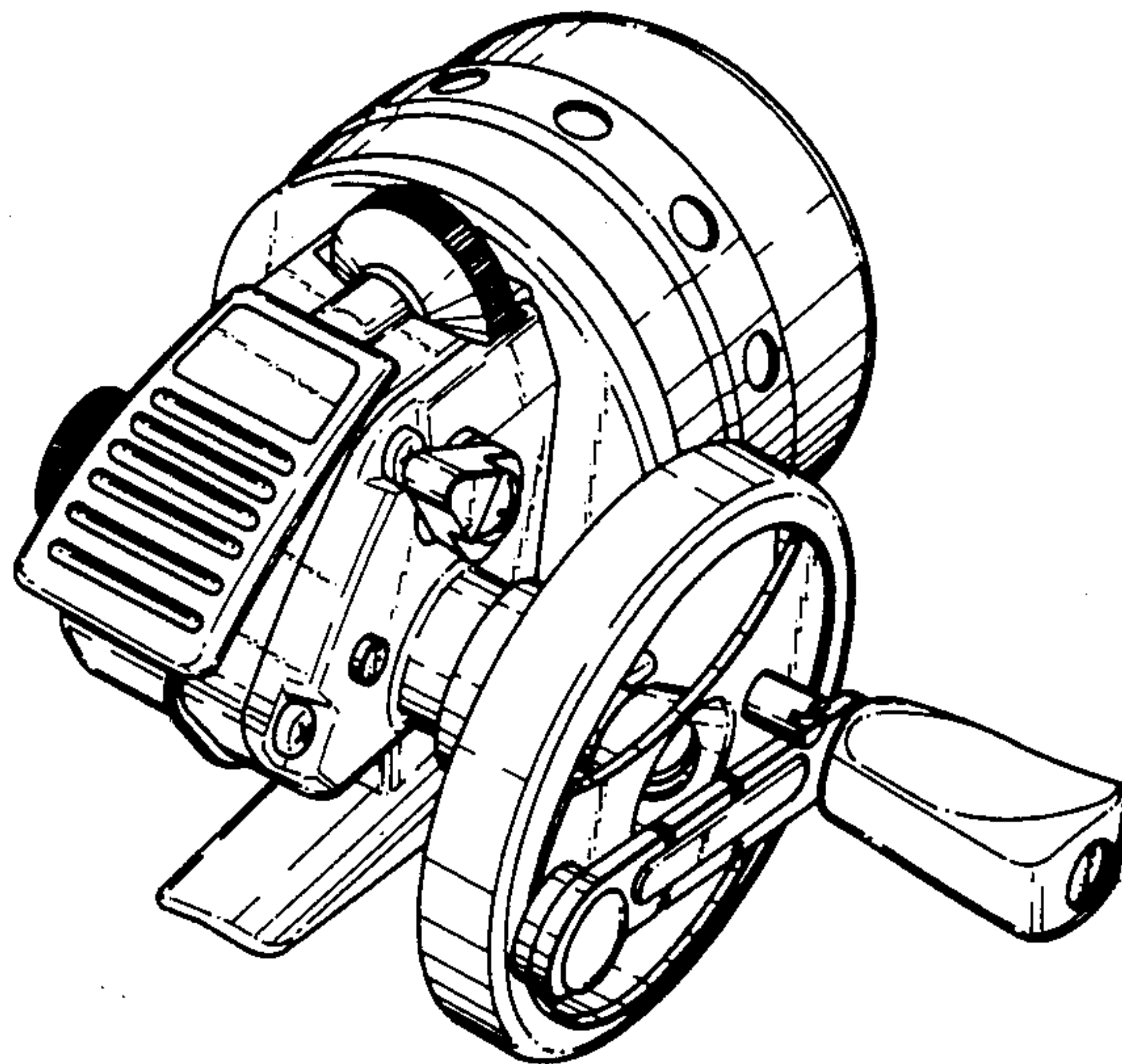


Fig. 1

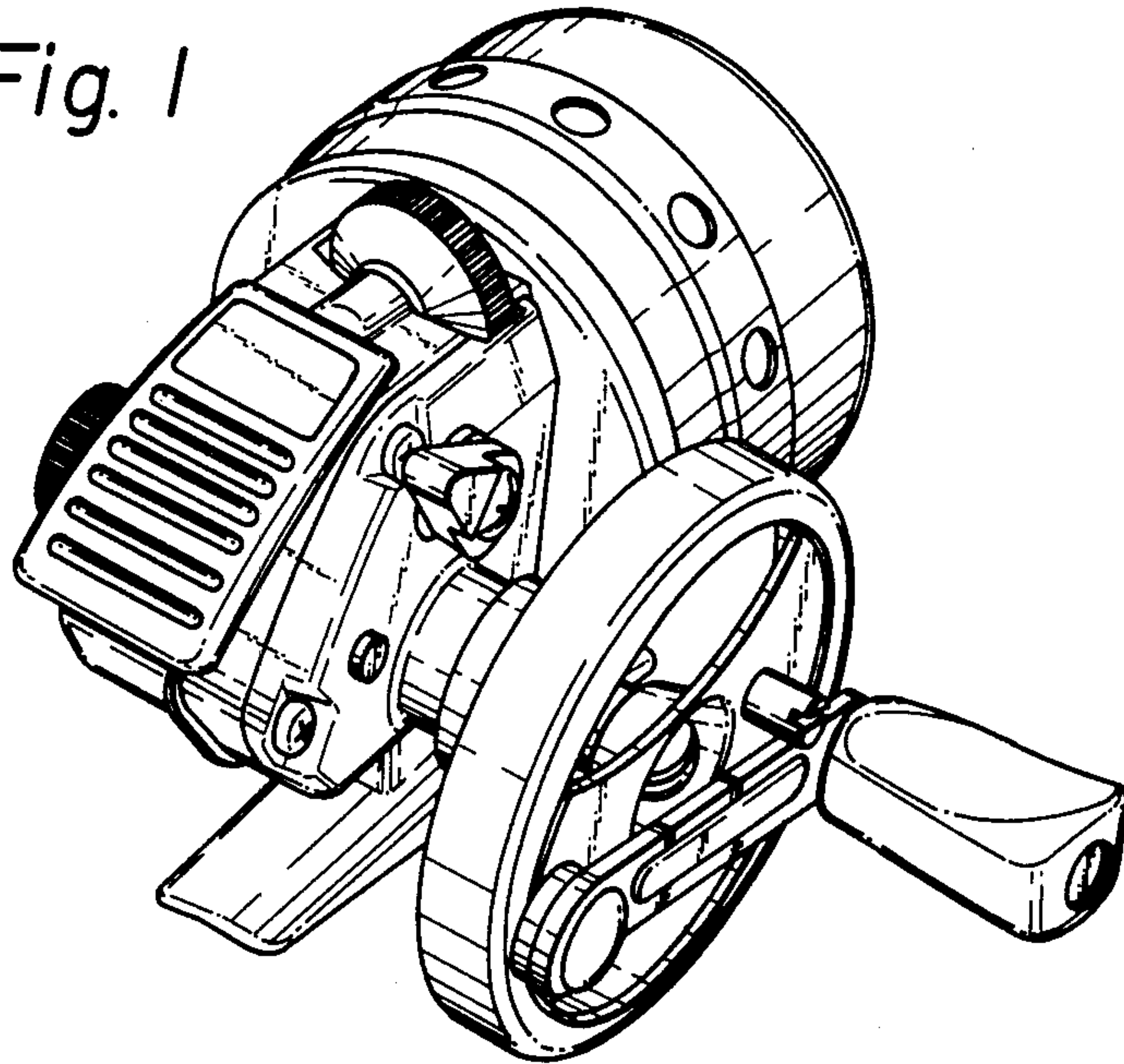


Fig. 2

