

[54] **PAIR OF SPECTACLES**

[75] **Inventor:** Richard W. Canavan, III, South Woodstock, Conn.

[73] **Assignee:** American Optical Corporation, Southbridge, Mass.

[**] **Term:** 14 Years

[21] **Appl. No.:** 736,644

[22] **Filed:** Oct. 28, 1976

[51] **Int. Cl.** D16-06

[52] **U.S. Cl.** D16/65

[58] **Field of Search** D16/65; 351/41, 44, 351/45, 46, 47, 49, 83, 85-94, 103, 104, 110, 111, 114, 117, 118, 123

[56] **References Cited**
PUBLICATIONS

Optician, Apr. 11, 1969, Adverts IX Frame, (top, left).
Optician, Apr. 12, 1974, p. 7, frame.
Optician, Feb. 14, 1975, rear cover — "Monique" Frame.

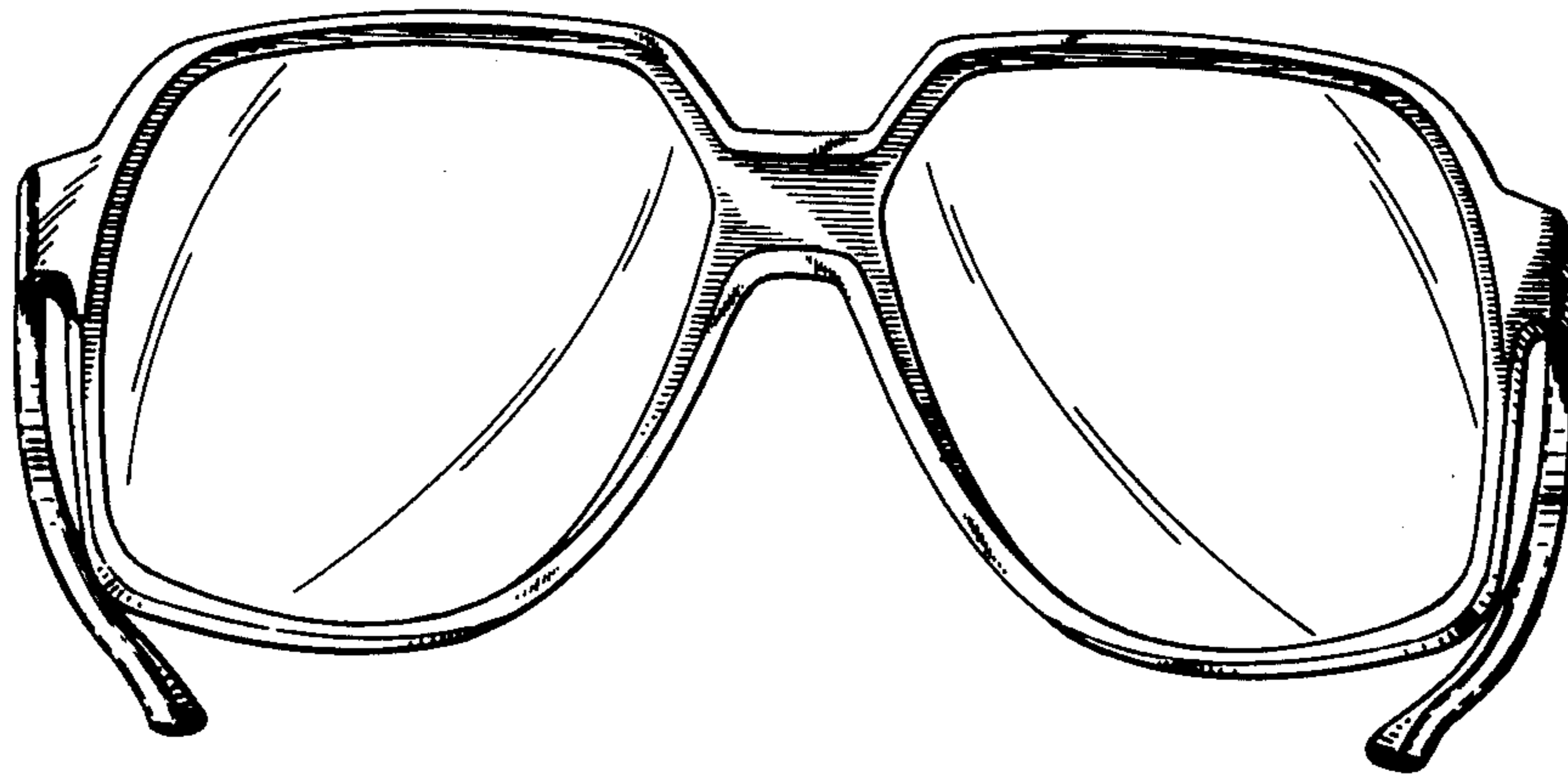
Primary Examiner—Susan J. Lucas
Attorney, Agent, or Firm—William C. Nealon

[57] **CLAIM**

The ornamental design for a pair of spectacles, as shown and described.

DESCRIPTION

FIG. 1 is a front elevational view of a pair of spectacles embodying my new design;
FIG. 2 is an elevational view of one side of the pair of spectacles, the opposite side thereof being of substantially the same appearance; and
FIG. 3 is a top plan view of a pair of spectacles embodying my new design.



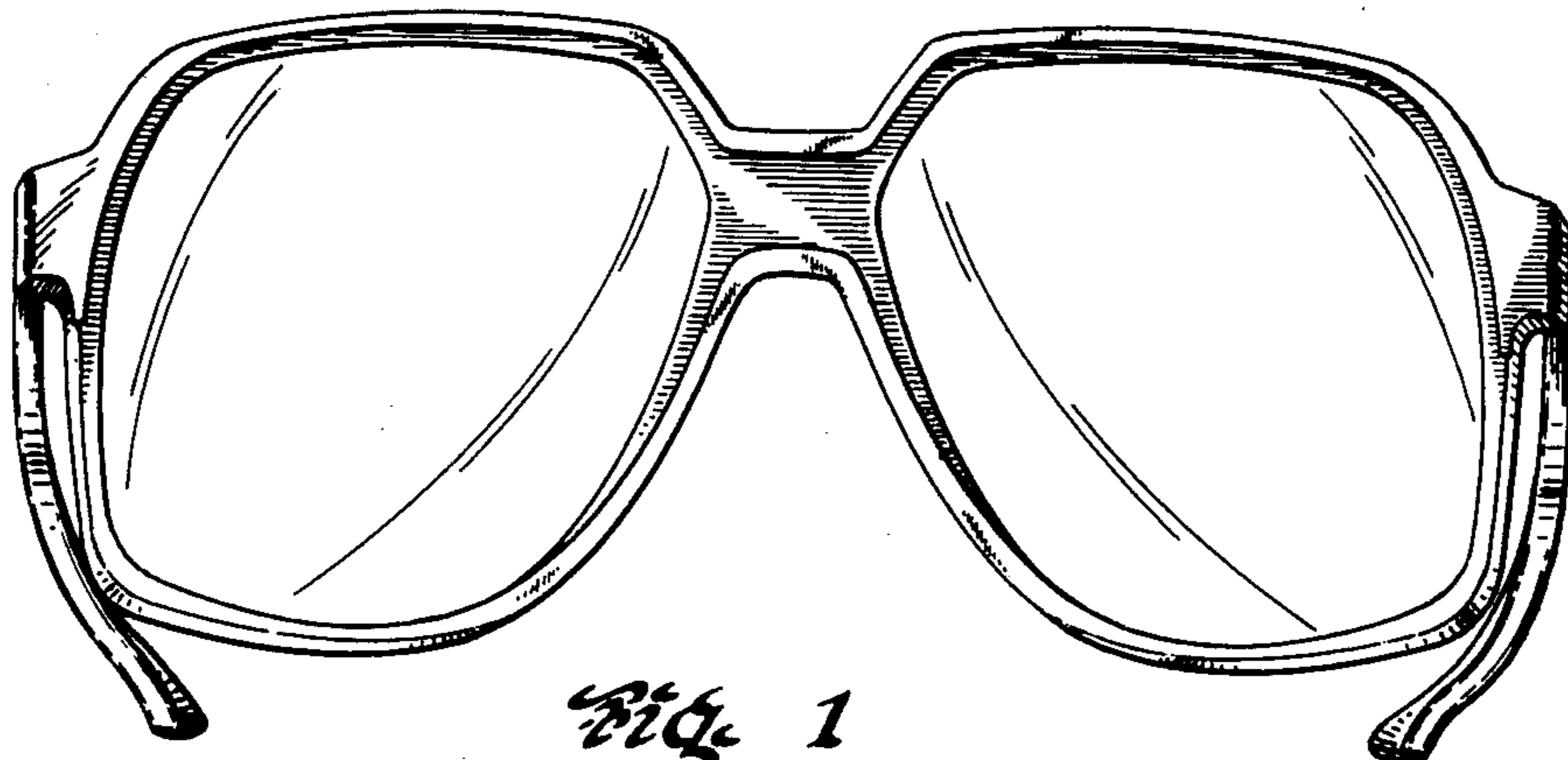


Fig. 1

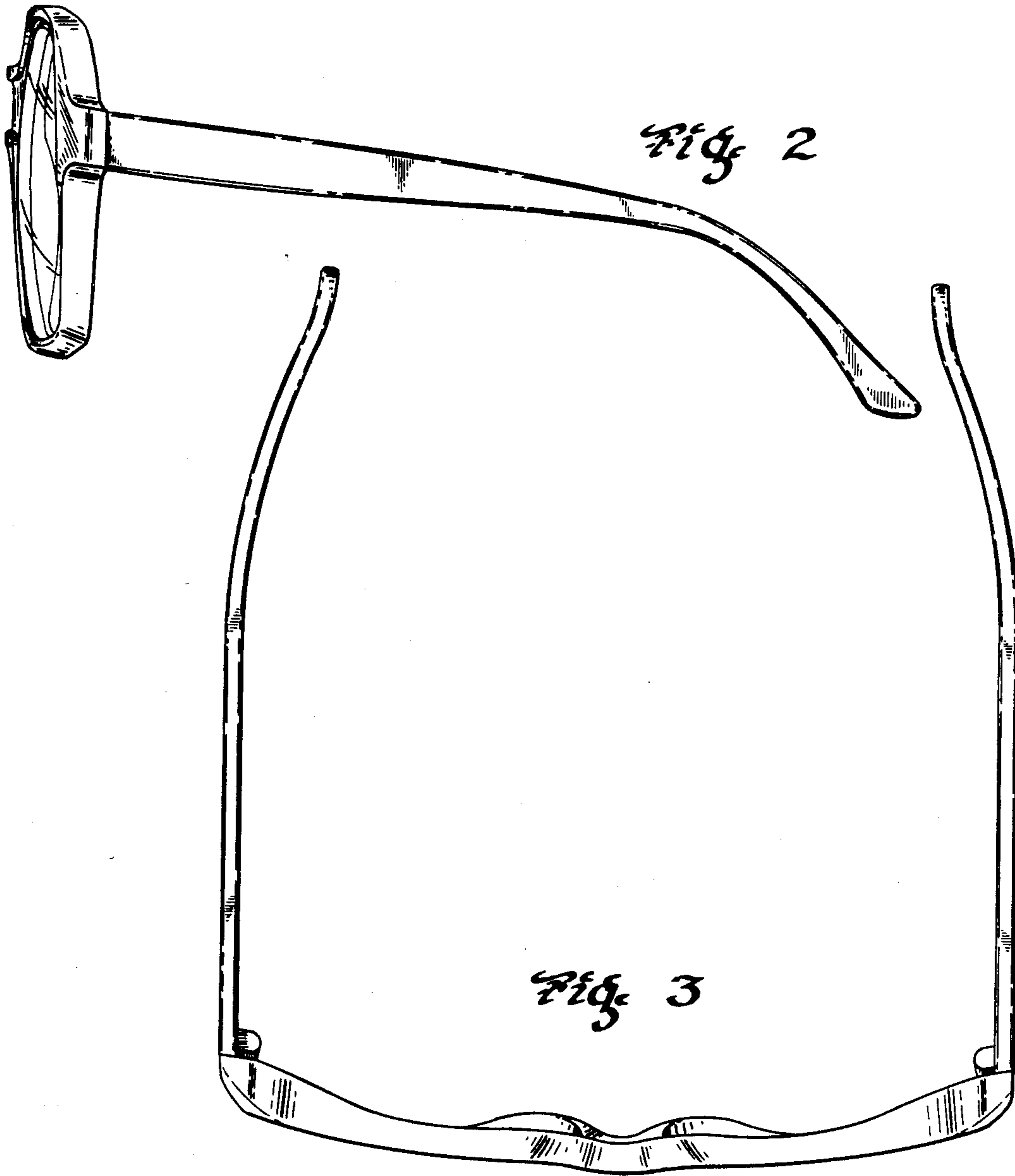


Fig. 2

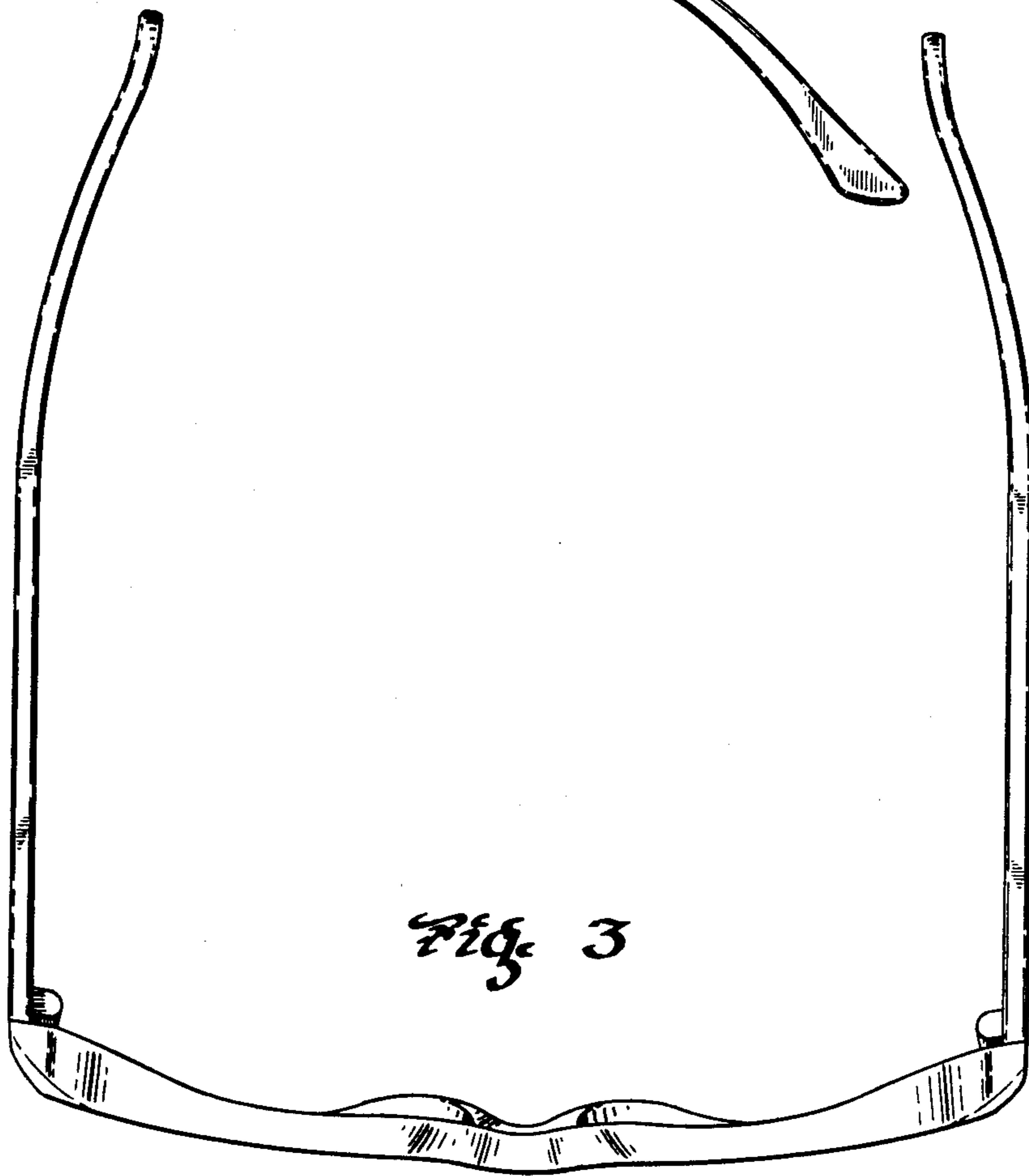


Fig. 3