

[54] BINOCULARS

[75] Inventor: Masakazu Tomatsuri, Tokyo, Japan

[73] Assignee: Nippon Kogaku K.K., Tokyo, Japan

[**] Term: 14 Years

[21] Appl. No.: 647,453

[22] Filed: Jan. 8, 1976

[51] Int. Cl. D16-06

[52] U.S. Cl. D16/59

[58] Field of Search D16/59; 350/36, 51, 350/75, 70

[56] References Cited

U.S. PATENT DOCUMENTS

D. 229,445	11/1973	Hornschi et al.	D16/59
D. 242,243	11/1976	Takahashi et al.	D16/59
3,604,779	9/1971	Reinhold	350/75

3,817,594 6/1974 Fischer 350/75

Primary Examiner—Bernard Ansher
Attorney, Agent, or Firm—Harry G. Shapiro

[57] CLAIM

The ornamental design for binoculars, as shown.

DESCRIPTION

FIG. 1 is a front view of the binoculars embodying my new design;

FIG. 2 is a top plan view of the binoculars;

FIG. 3 is a bottom plan view;

FIG. 4 is a rear view;

FIG. 5 is a side elevational view as seen from the right of FIG. 1;

FIG. 6 is a side elevational view as seen from the left of FIG. 1;

FIG. 7 is a front perspective view; and

FIG. 8 is a rear perspective view.

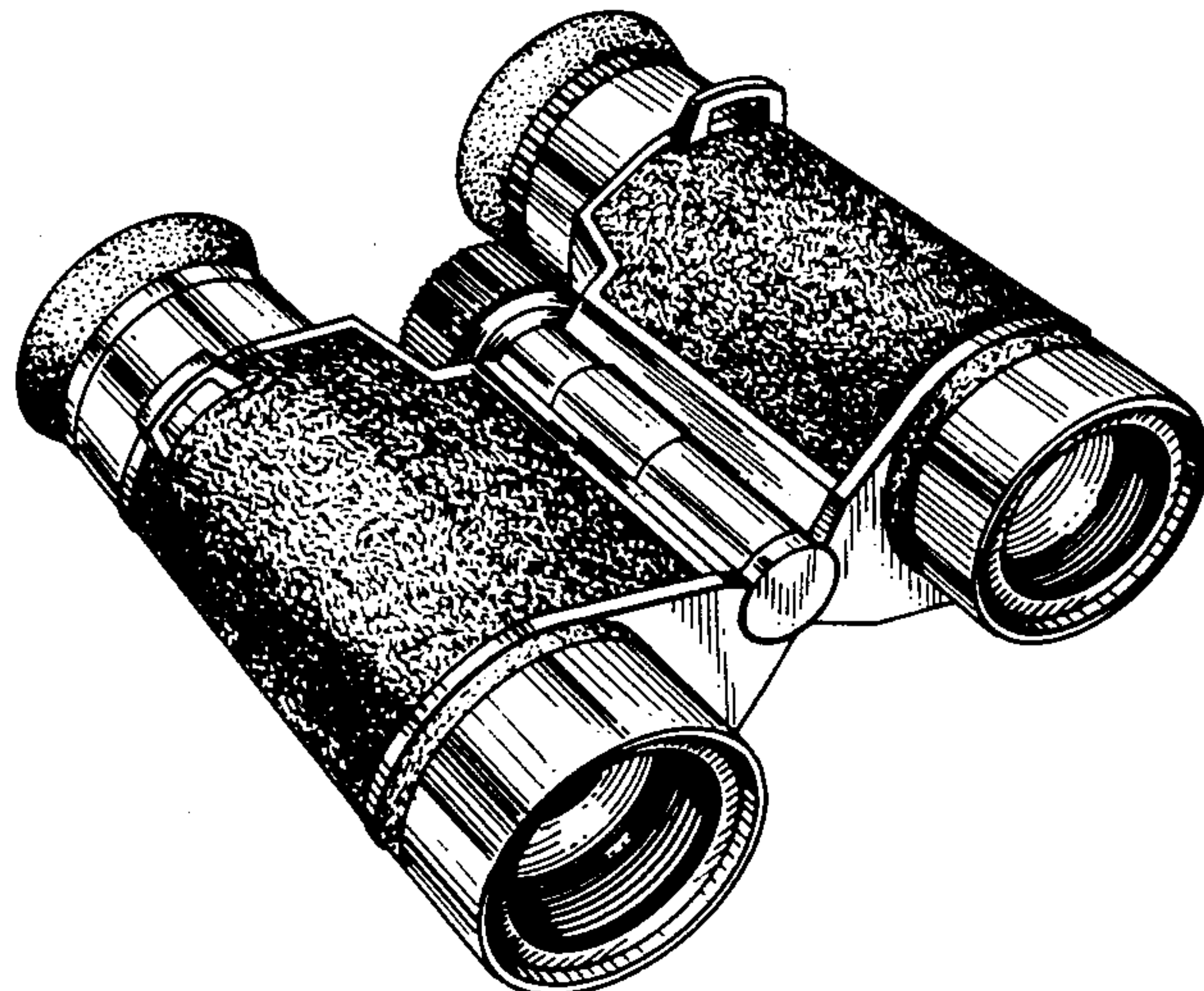
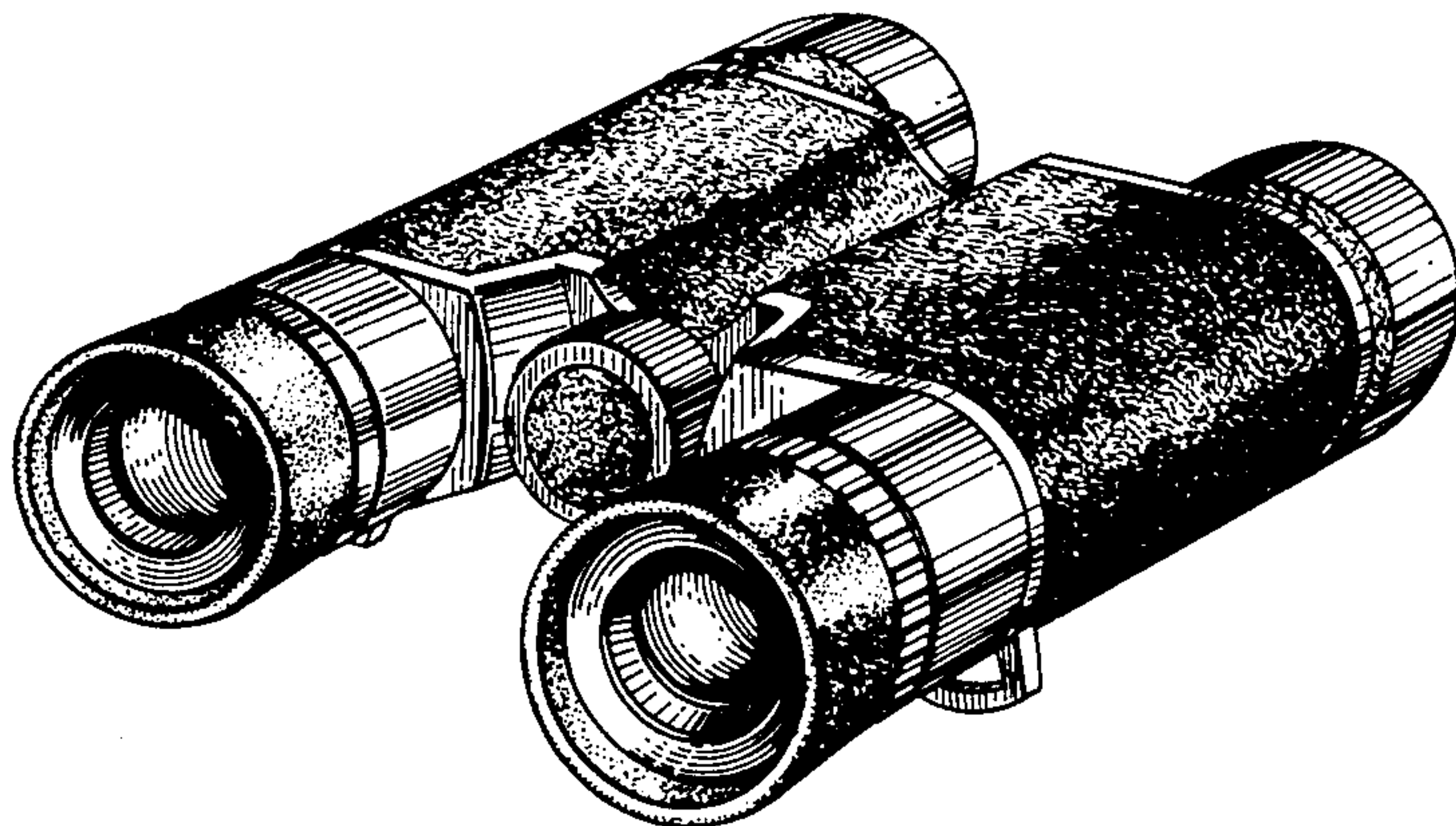


FIG. 4

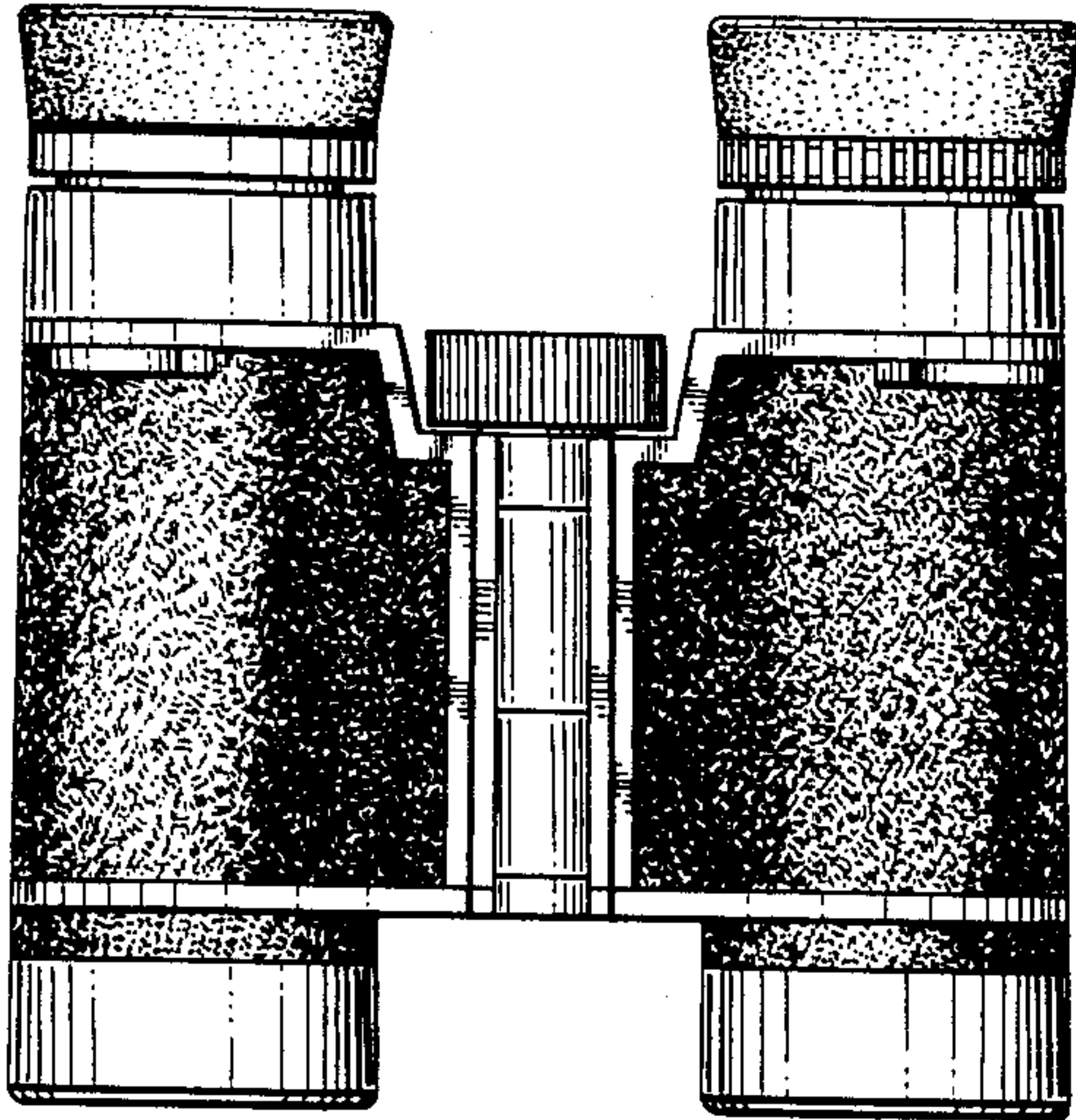


FIG. 1

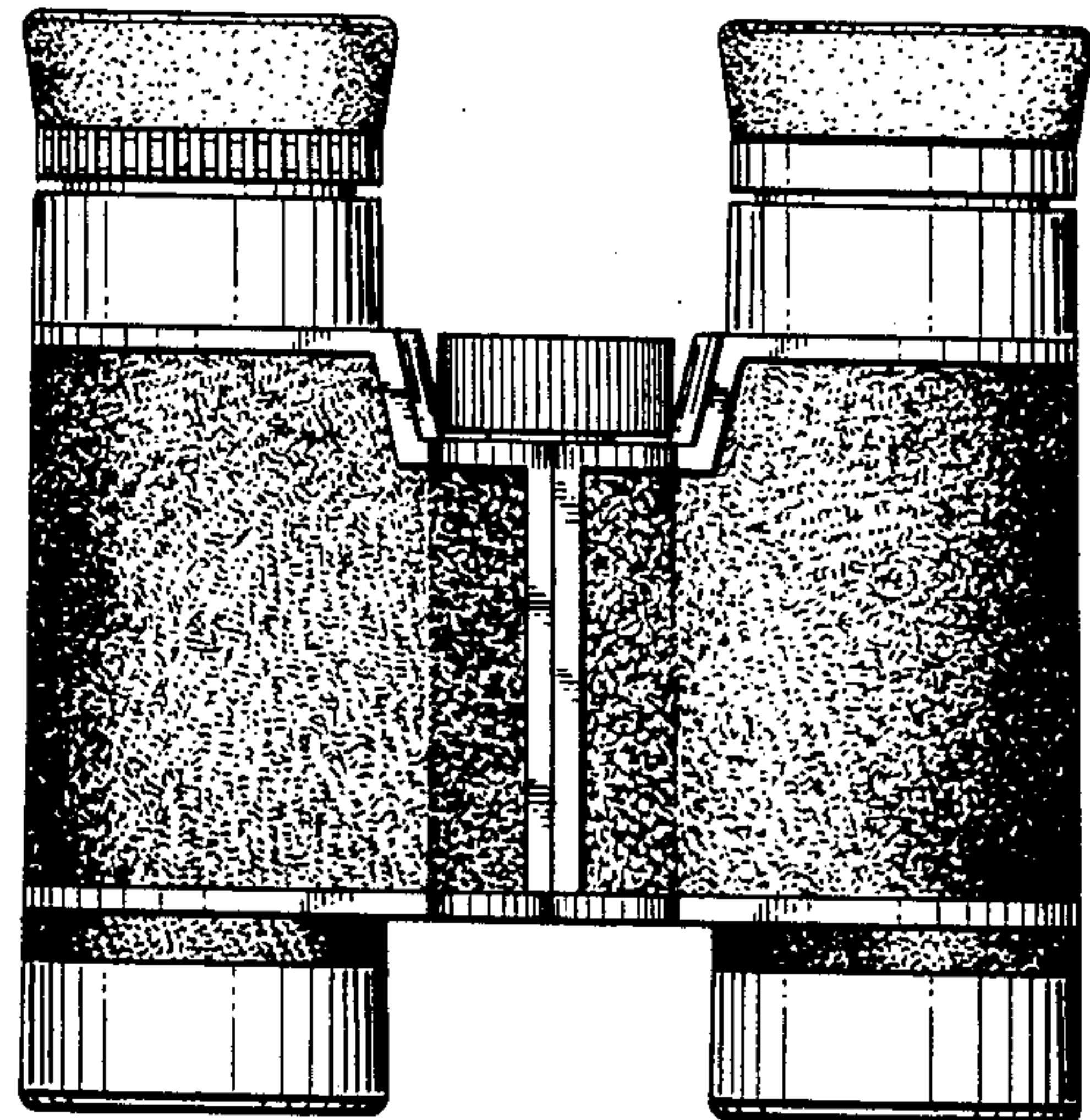


FIG. 6

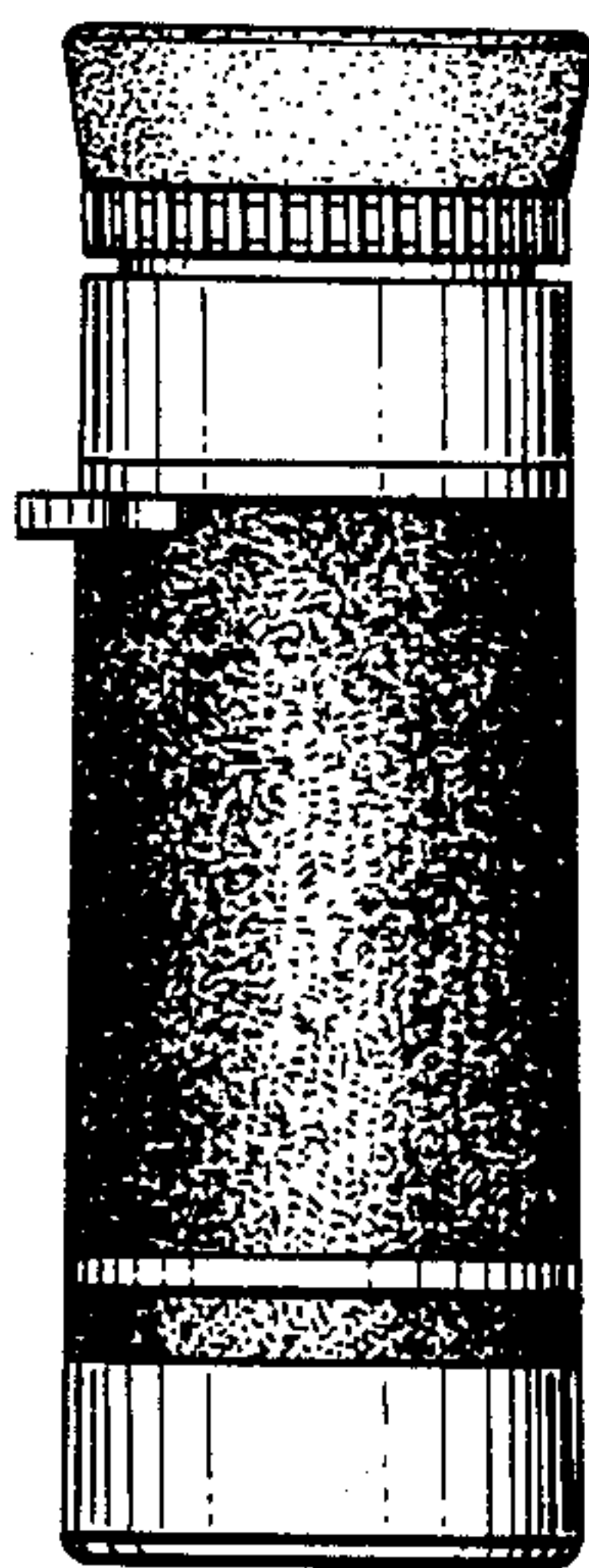


FIG. 5

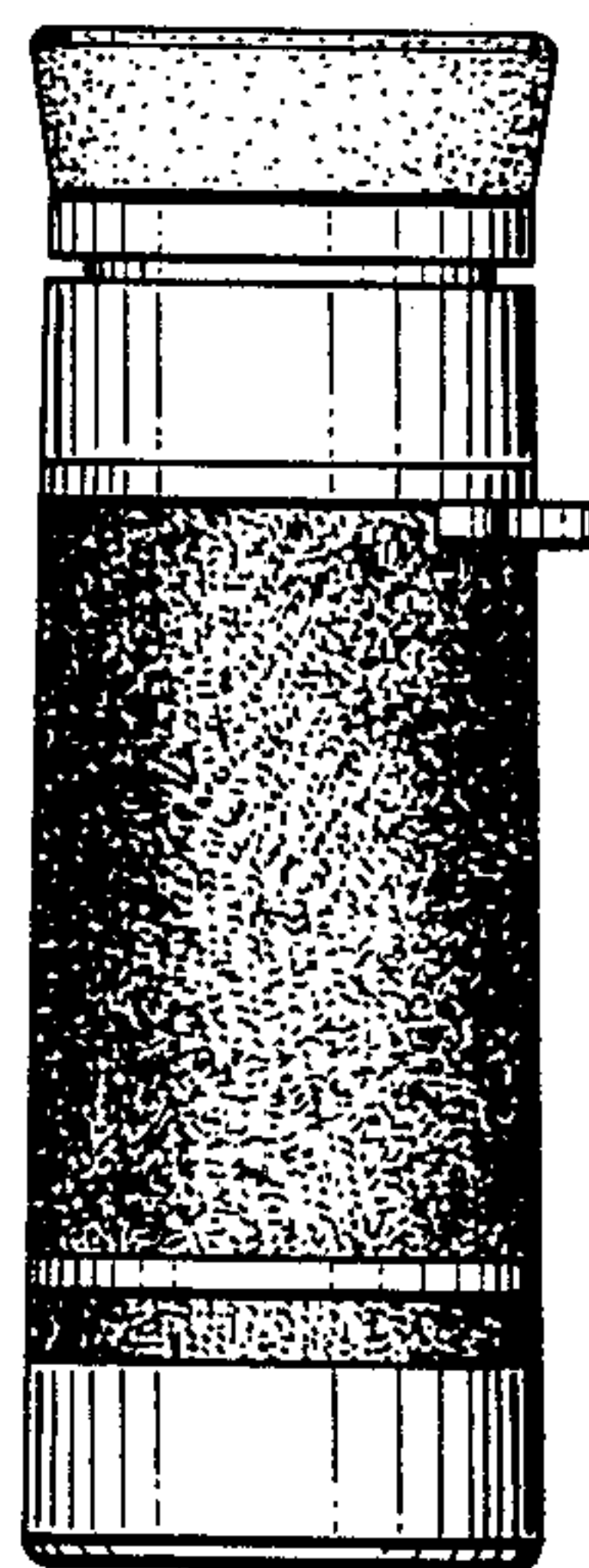


FIG. 2

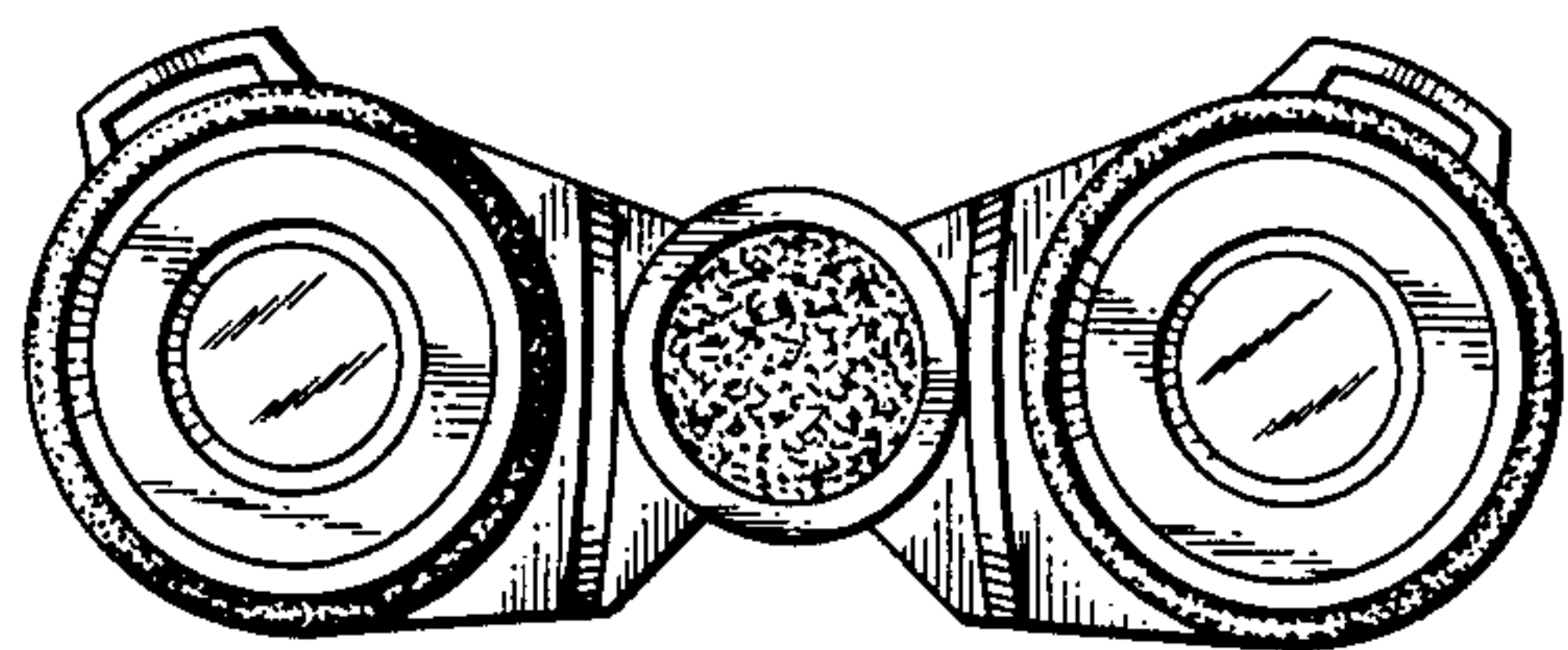


FIG. 3

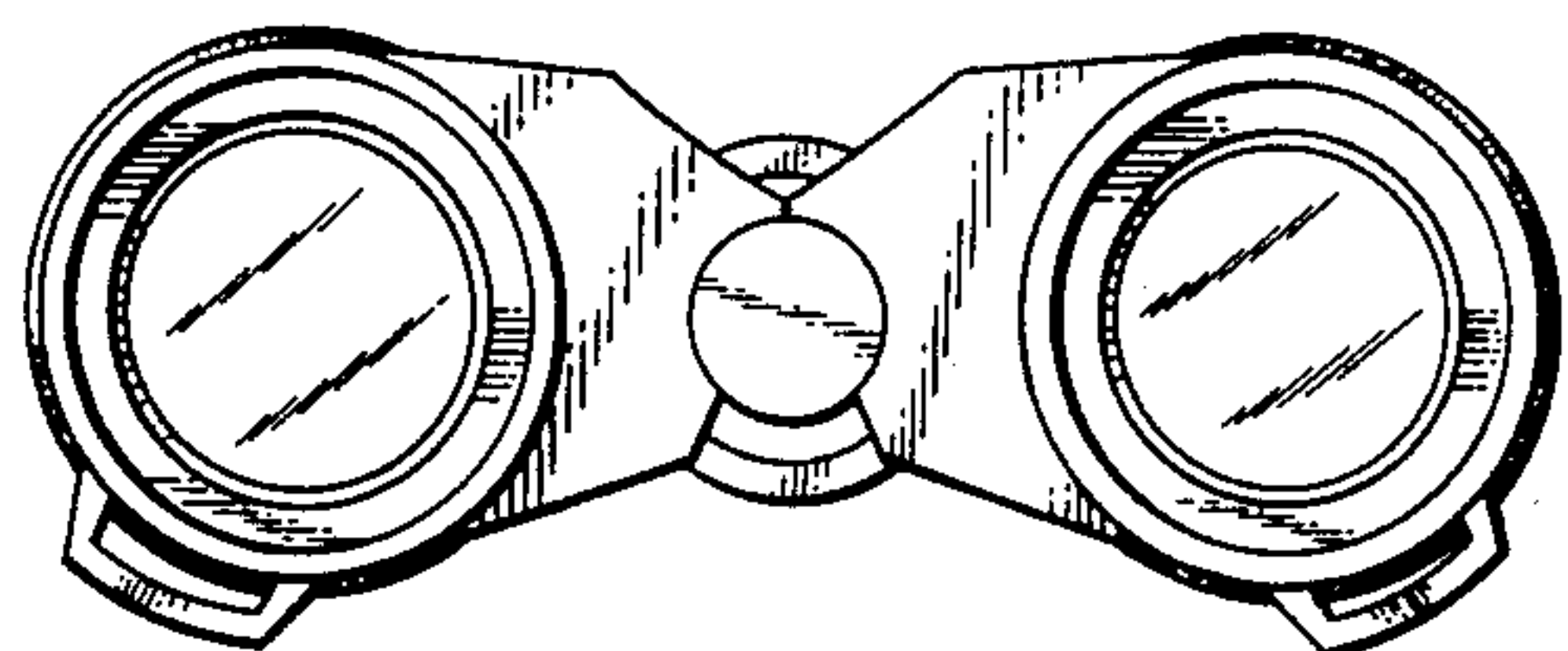


FIG. 7

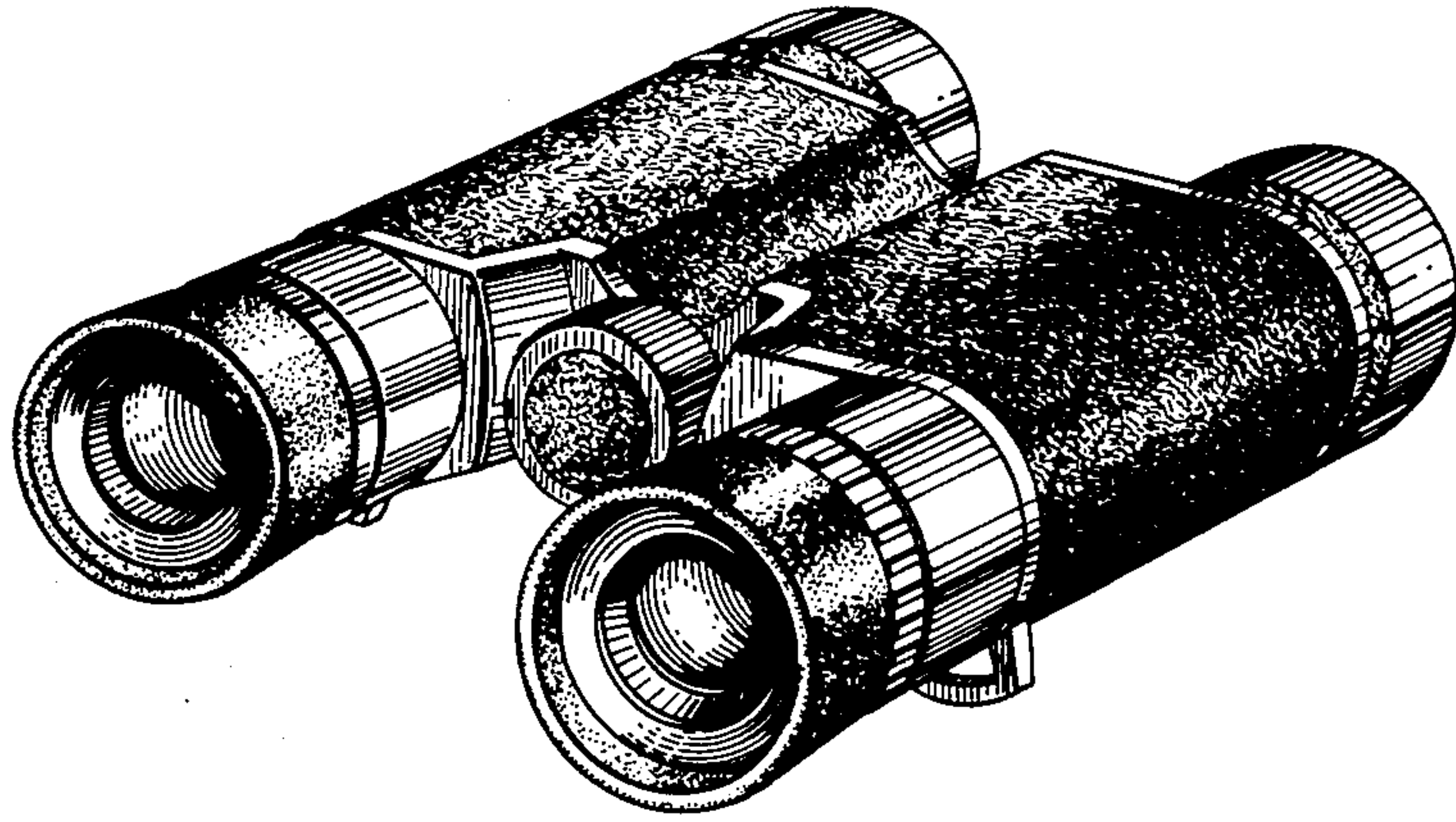


FIG. 8

