

[54] VEHICLE HITCHING DEVICE

[76] Inventor: Chester A. Shumway, 2801 W.
Lawrence Lane, Phoenix, Ariz.
85021

[**] Term: 14 Years

[21] Appl. No.: 724,907

[22] Filed: Sept. 20, 1976

[51] Int. Cl. D12-16

[52] U.S. Cl. D12/162

[58] Field of Search D12/162; D15/28;
280/504, 514, 515; 24/230.5 TP

[56] References Cited

U.S. PATENT DOCUMENTS

2,493,888 1/1950 Maras 280/514
3,153,832 10/1964 Shumway 24/230.5 TP

FOREIGN PATENT DOCUMENTS

55,327 12/1922 Sweden 280/515

Primary Examiner—Wallace R. Burke

Assistant Examiner—James M. Gandy

Attorney, Agent, or Firm—Herbert E. Haynes, Jr.

[57] CLAIM

The ornamental design for a vehicle hitching device, as shown.

DESCRIPTION

FIG. 1 is an isometric view of the vehicle hitching device showing my new design;

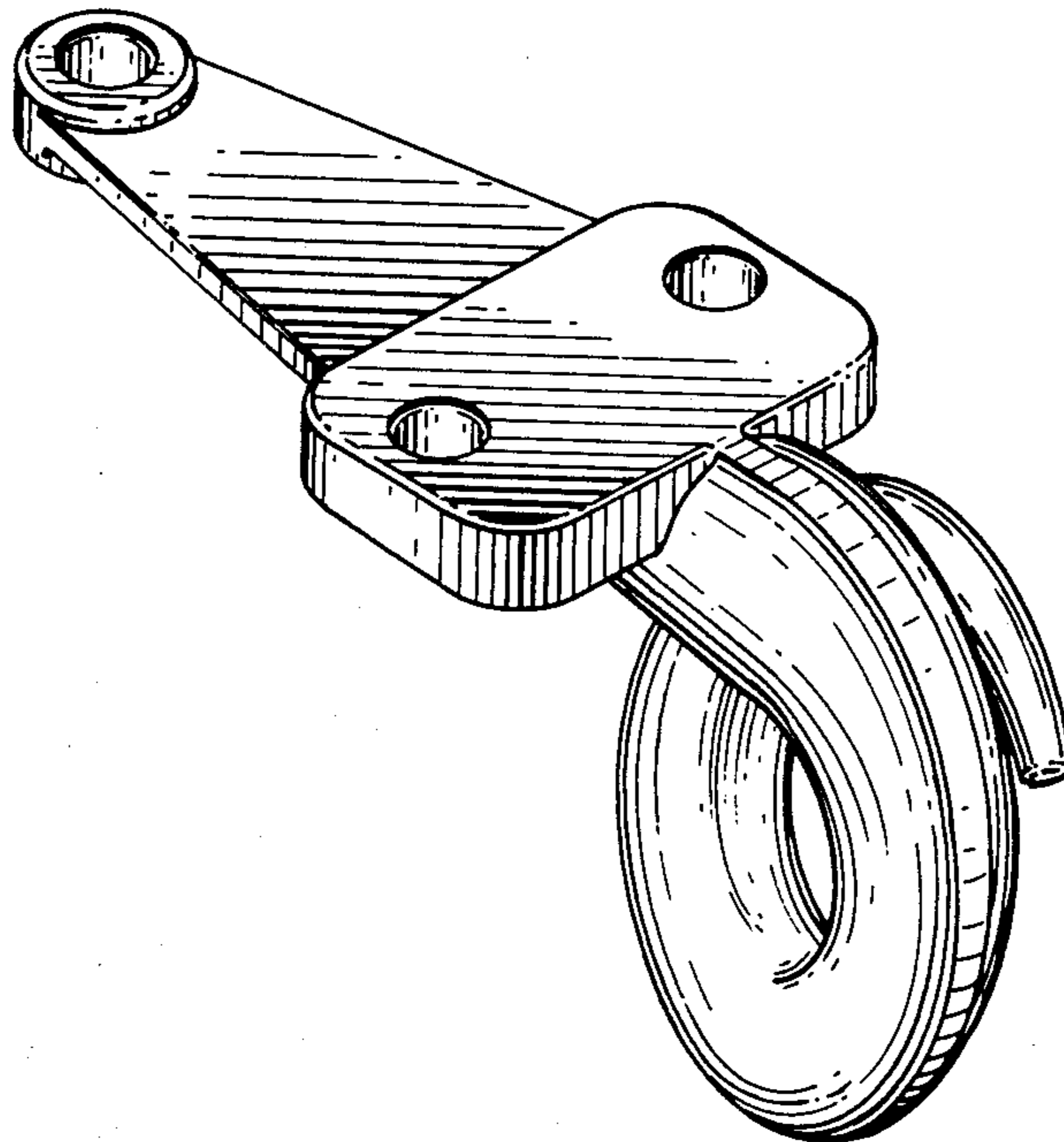
FIG. 2 is a top plan view thereof;

FIG. 3 is a right side elevational view thereof;

FIG. 4 is a front elevational view thereof;

FIG. 5 is a left side elevational view thereof;

FIG. 6 is a bottom plan view thereof.



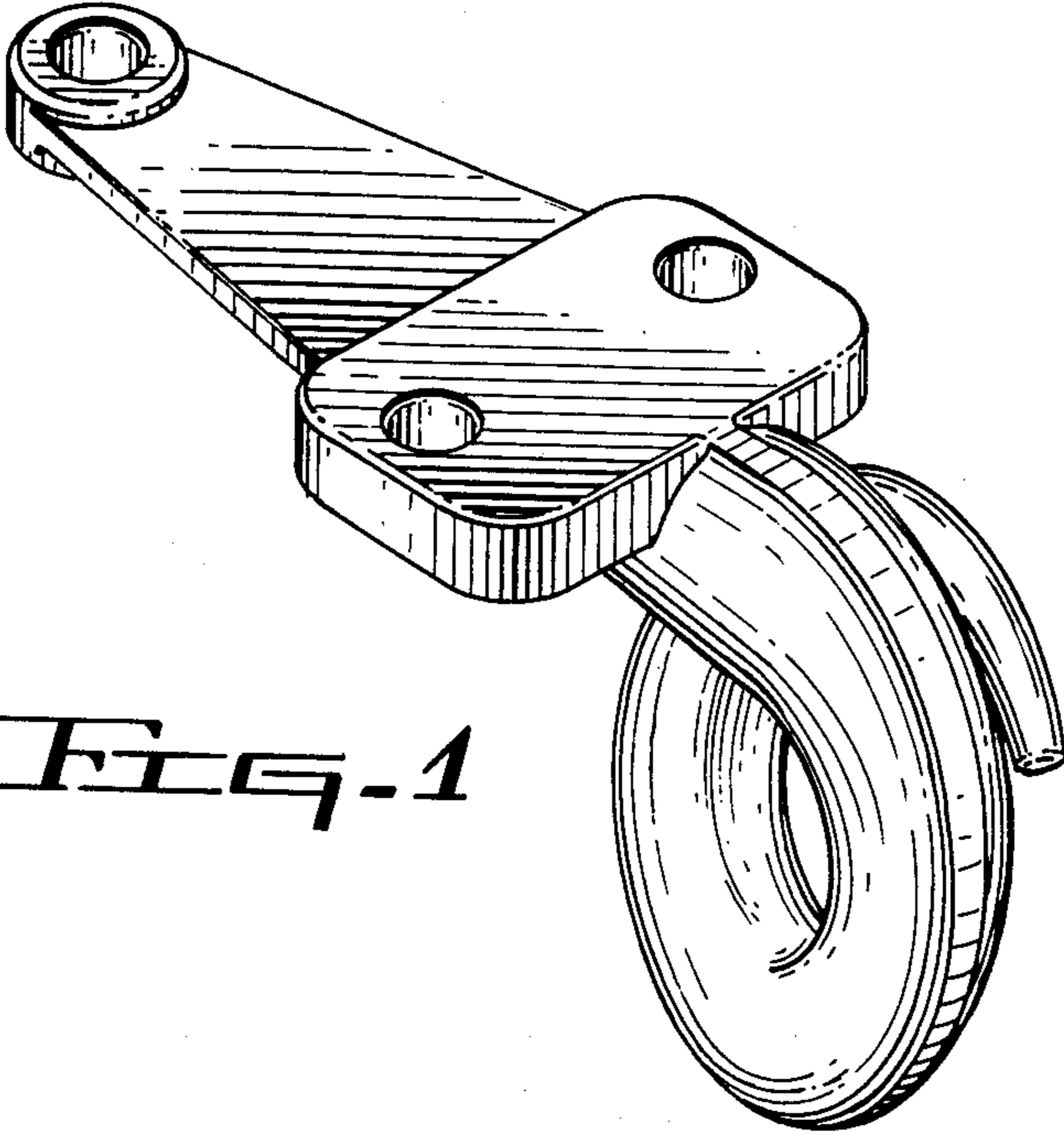


FIG. 1

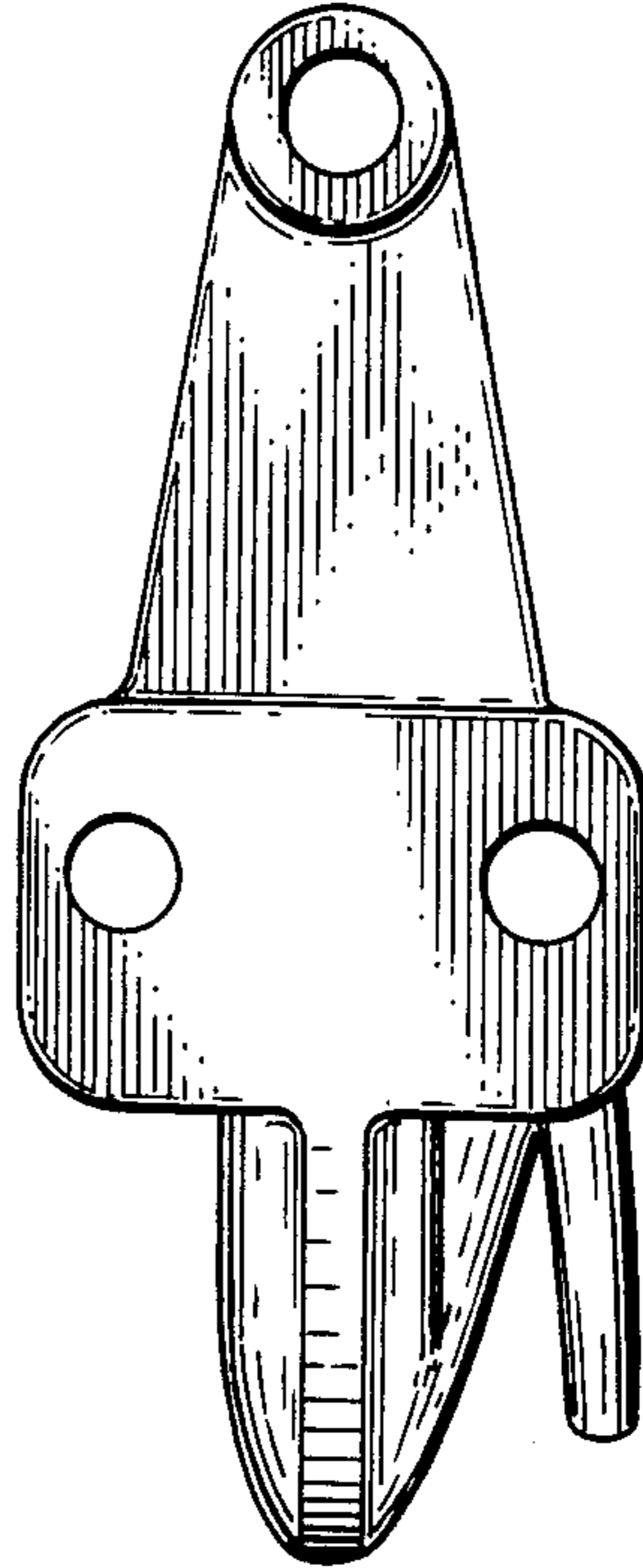


FIG. 2

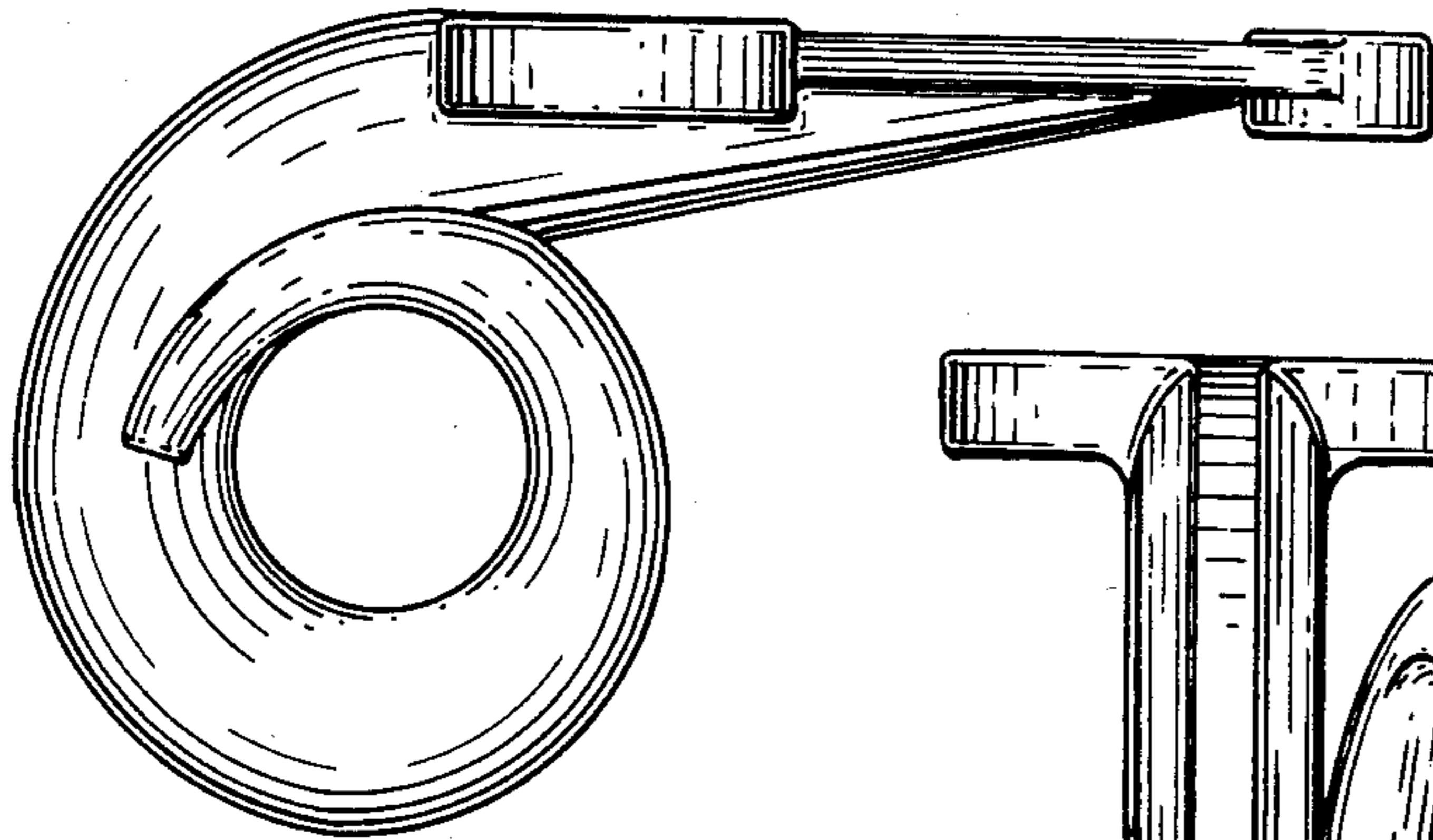


FIG. 3

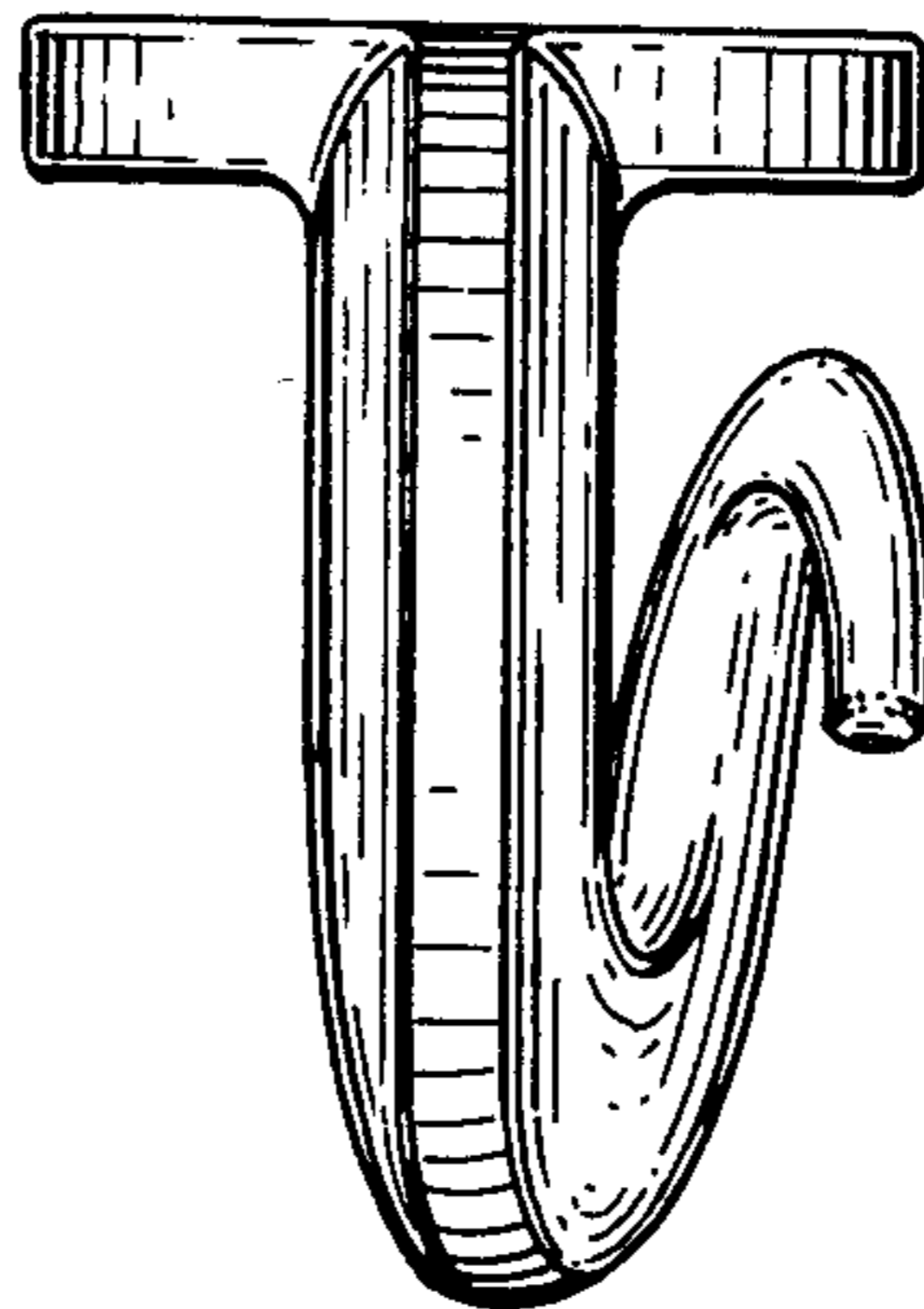


FIG. 4

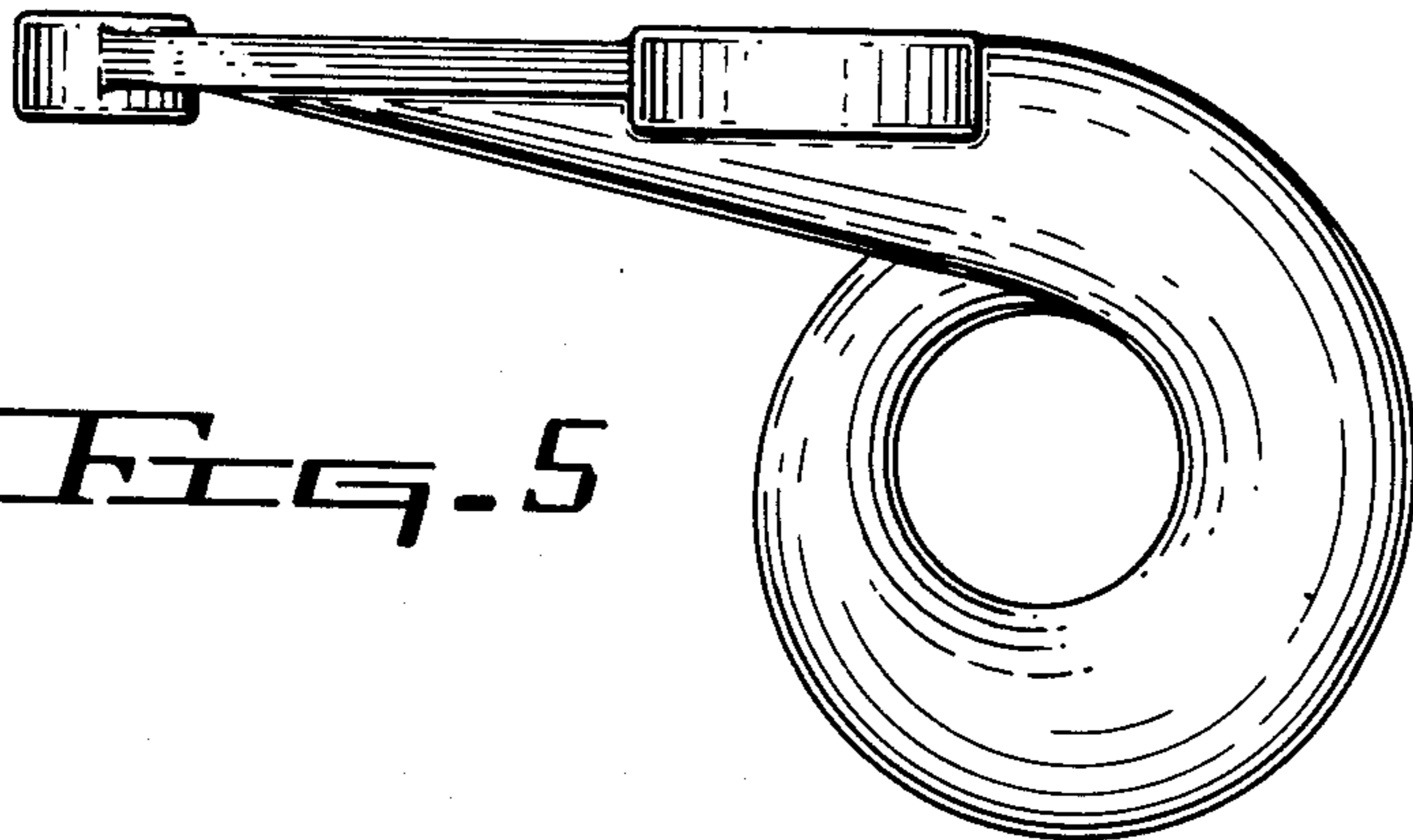


FIG. 5

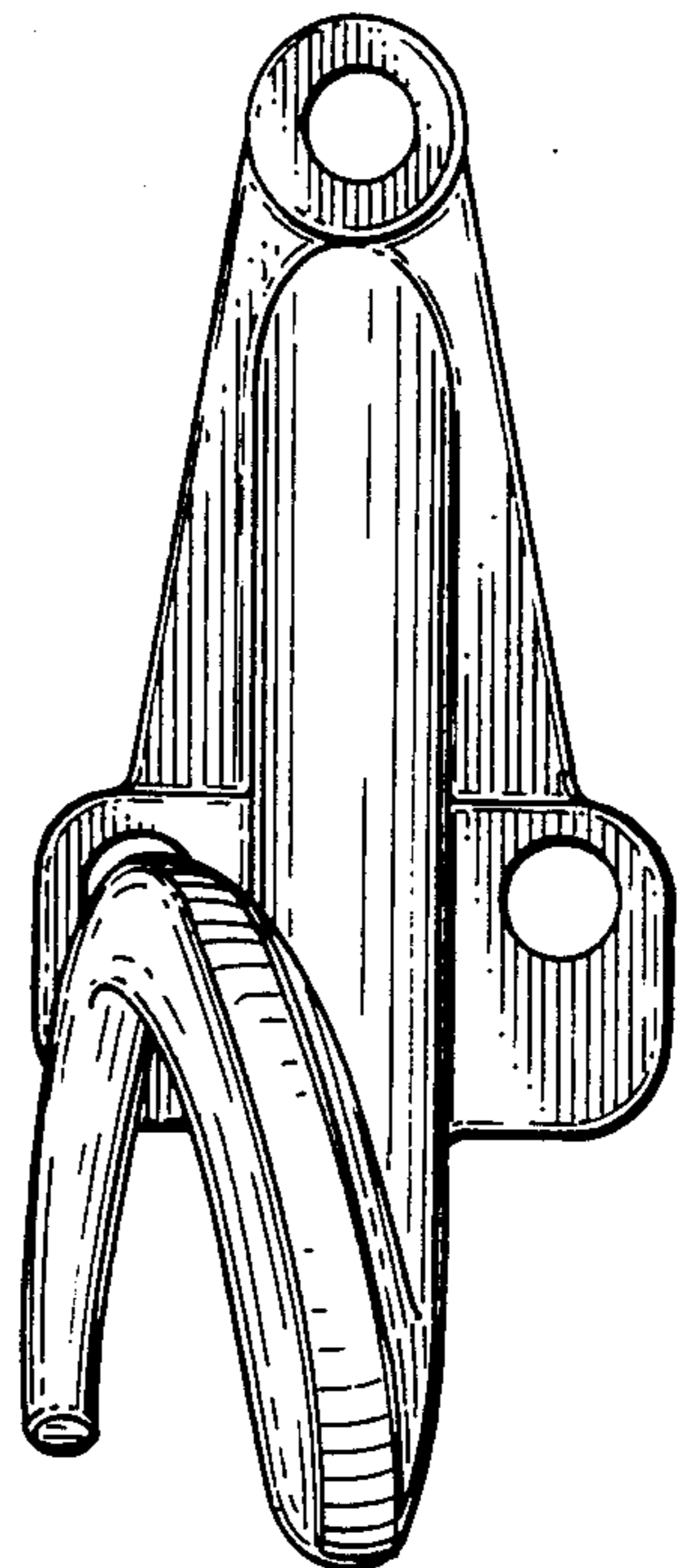


FIG. 6