

# United States Patent [19]

Hegedus

[11] Des. 246,638

[45] \*\* Dec. 13, 1977

[54] BICYCLE RAMP

[76] Inventor: Michael Byron Hegedus, 2380 E. Ohio, Denver, Colo. 80206

[\*\*] Term: 14 Years

[21] Appl. No.: 781,655

[22] Filed: Mar. 28, 1977

[51] Int. Cl. .... D12-05

[52] U.S. Cl. .... D12/53

[58] Field of Search ..... D12/53; 254/88; 14/71.1, 69.5; 119/82

[56] References Cited

U.S. PATENT DOCUMENTS

1,587,348 6/1926 Myers ..... 119/82

OTHER PUBLICATIONS

J. C. Whitney Catalog No. 342, ©1975, p. 102, two piece ramp C, upper right side of page.

Primary Examiner—Wallace R. Burke  
Assistant Examiner—James M. Gandy  
Attorney, Agent, or Firm—Ralph F. Crandell

[57] CLAIM

The ornamental design for a bicycle ramp, as shown.

DESCRIPTION

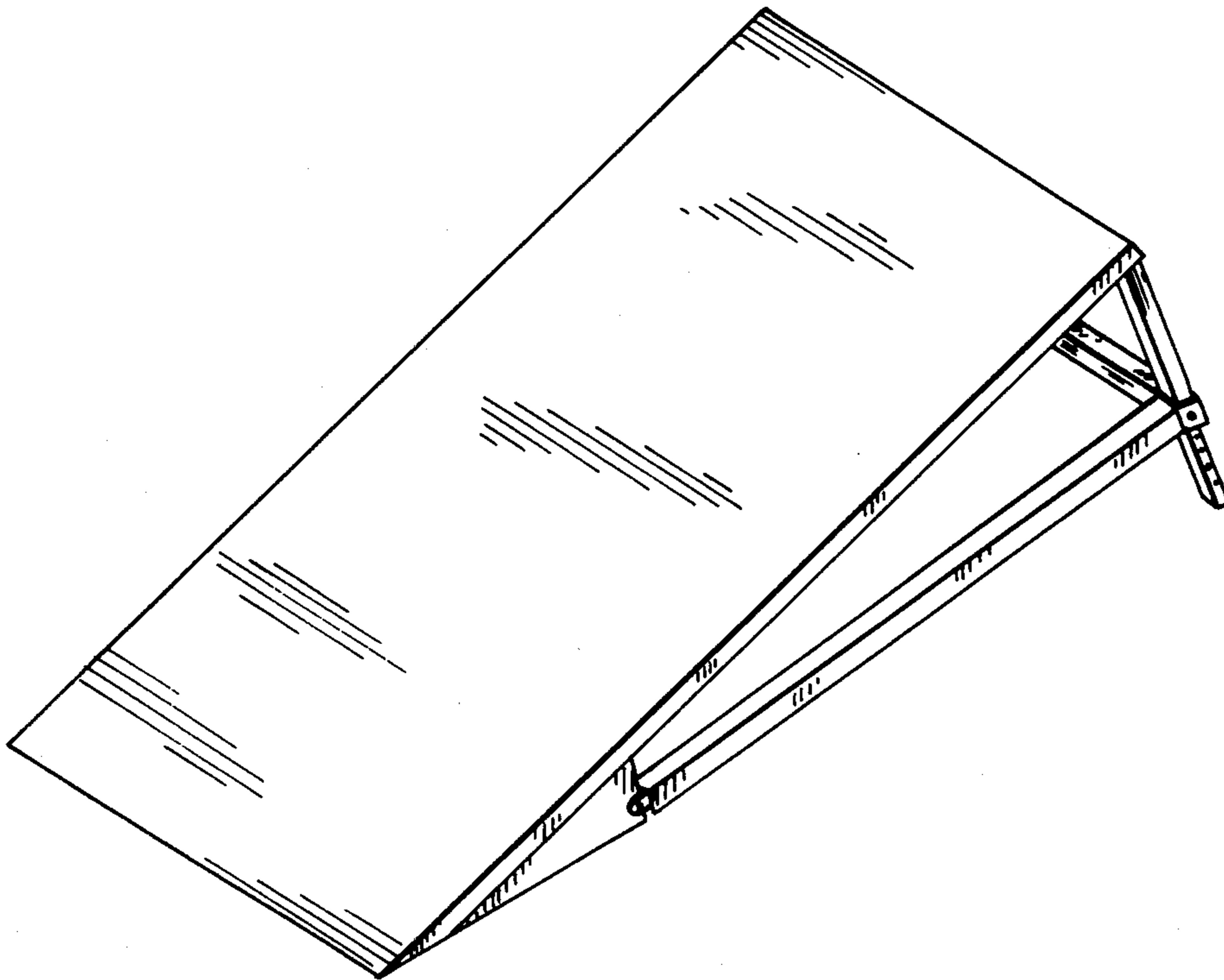
FIG. 1 is an isometric view of a bicycle ramp embodying my new design.

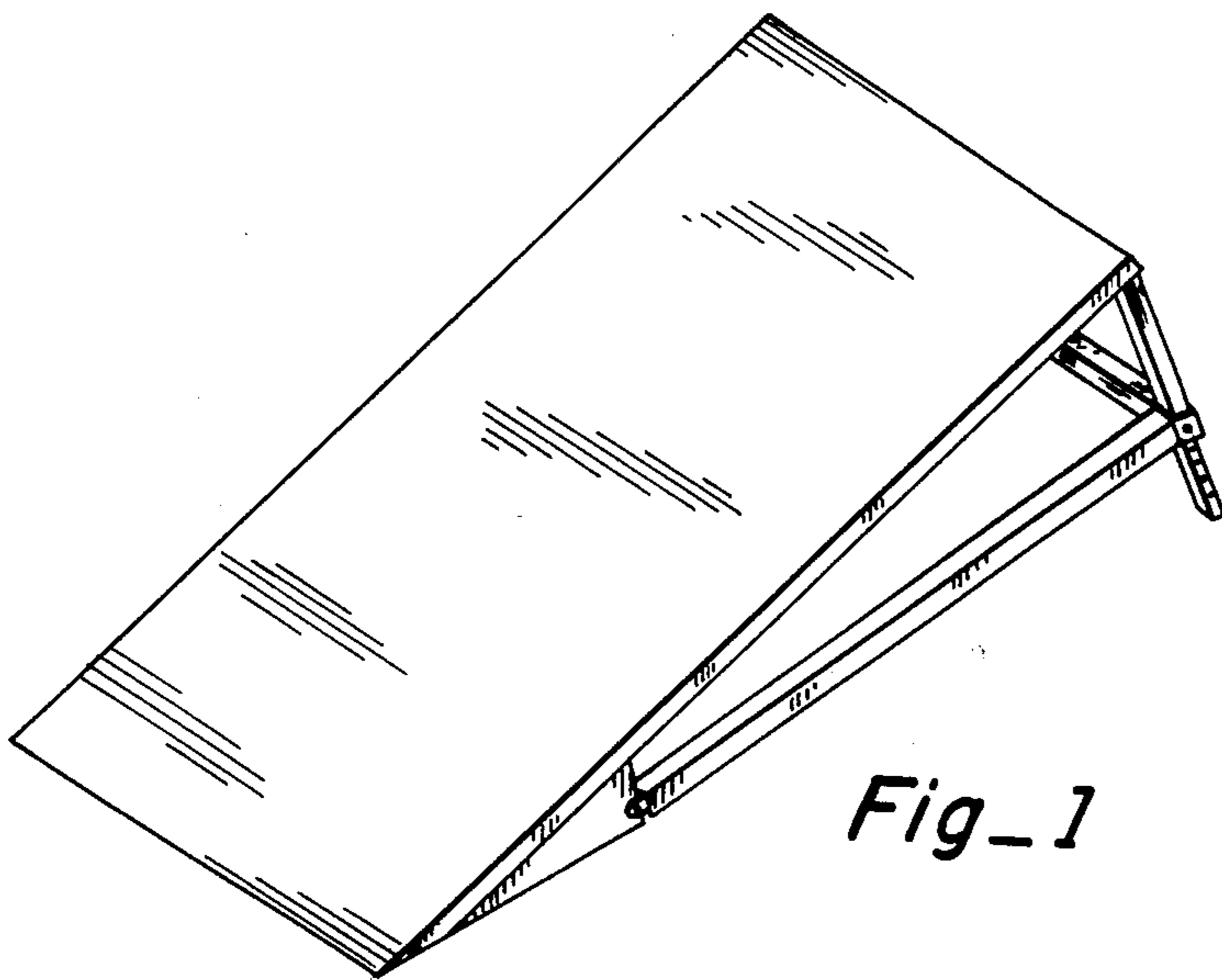
FIG. 2 is a side elevation view thereof it being understood that the opposite side is substantially a mirror image of the side shown herein.

FIG. 3 is a top plan view thereof.

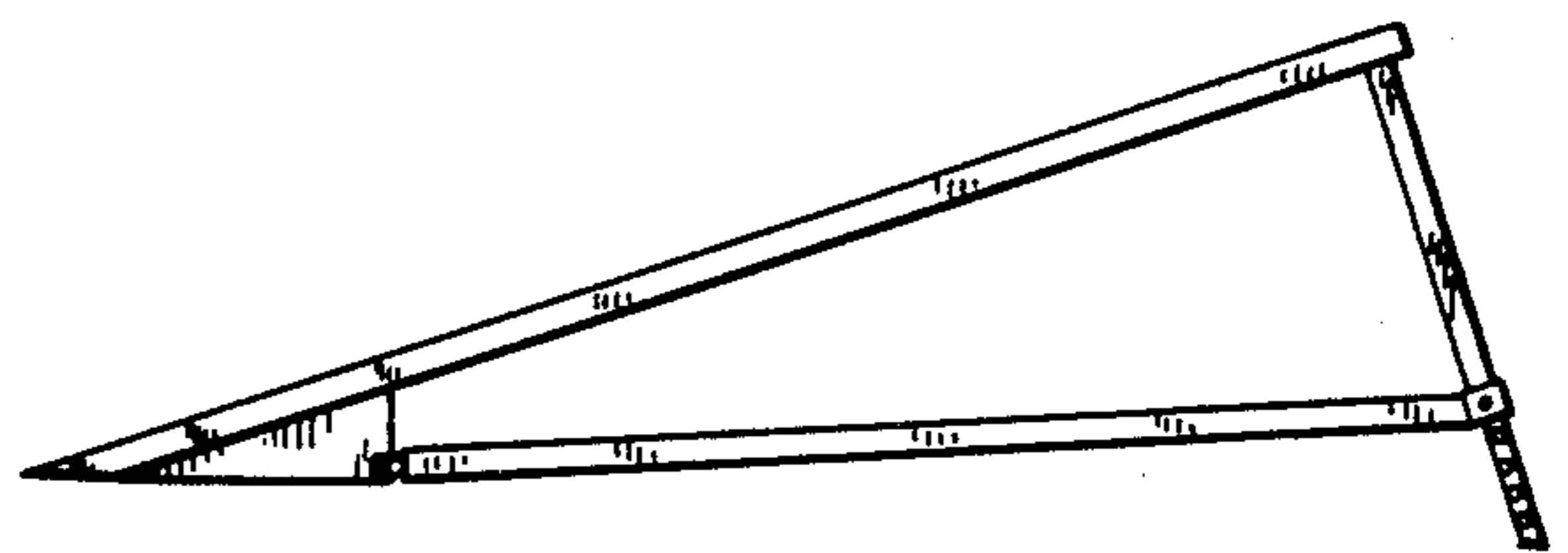
FIG. 4 is an end elevation view thereof taken from the raised end.

FIG. 5 is a bottom plan view thereof.

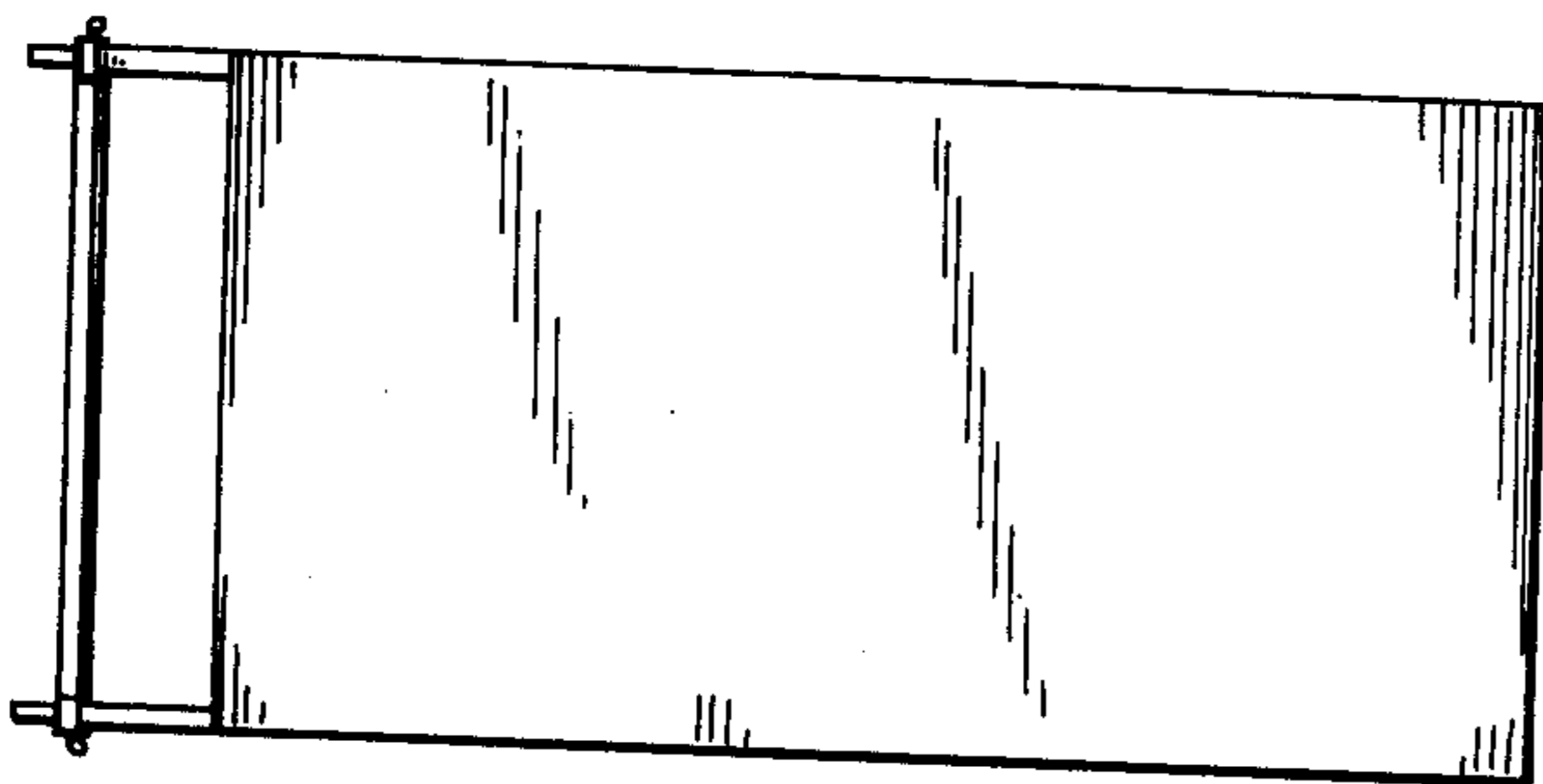




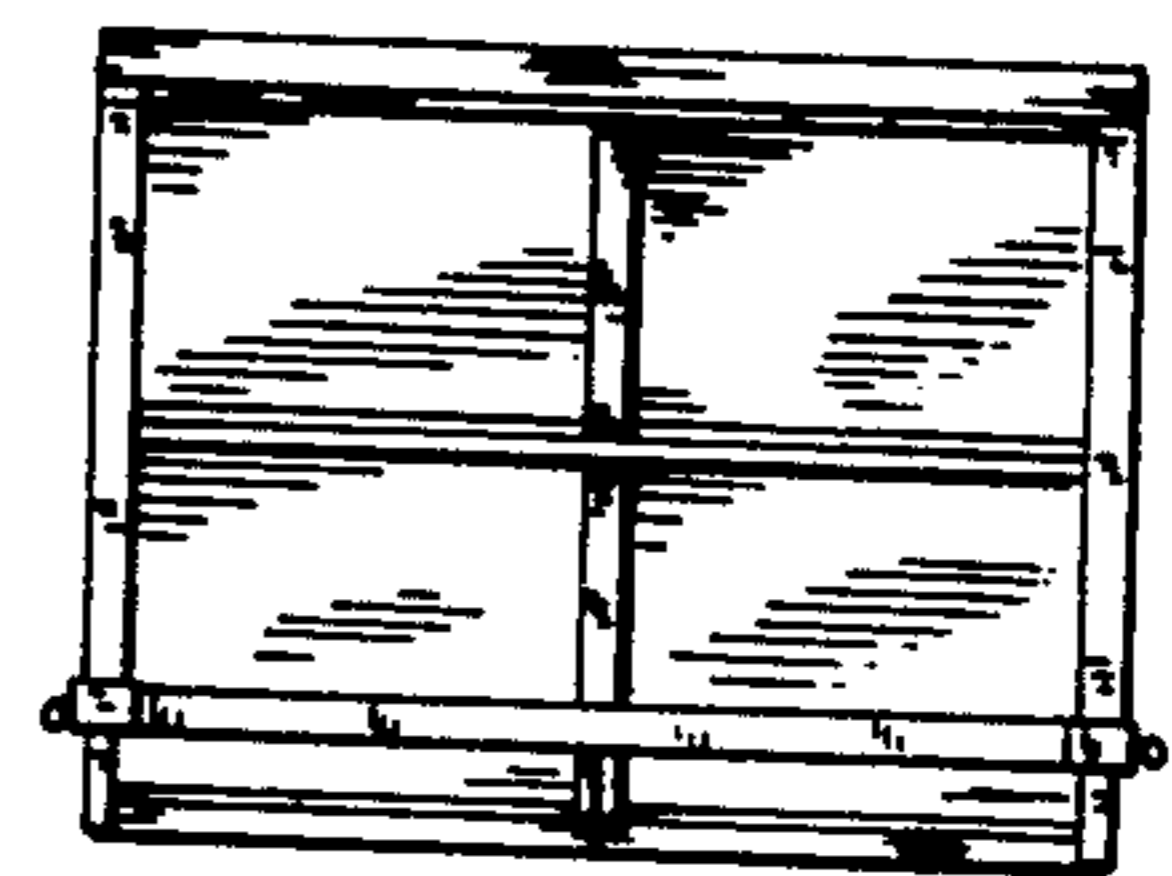
*Fig\_1*



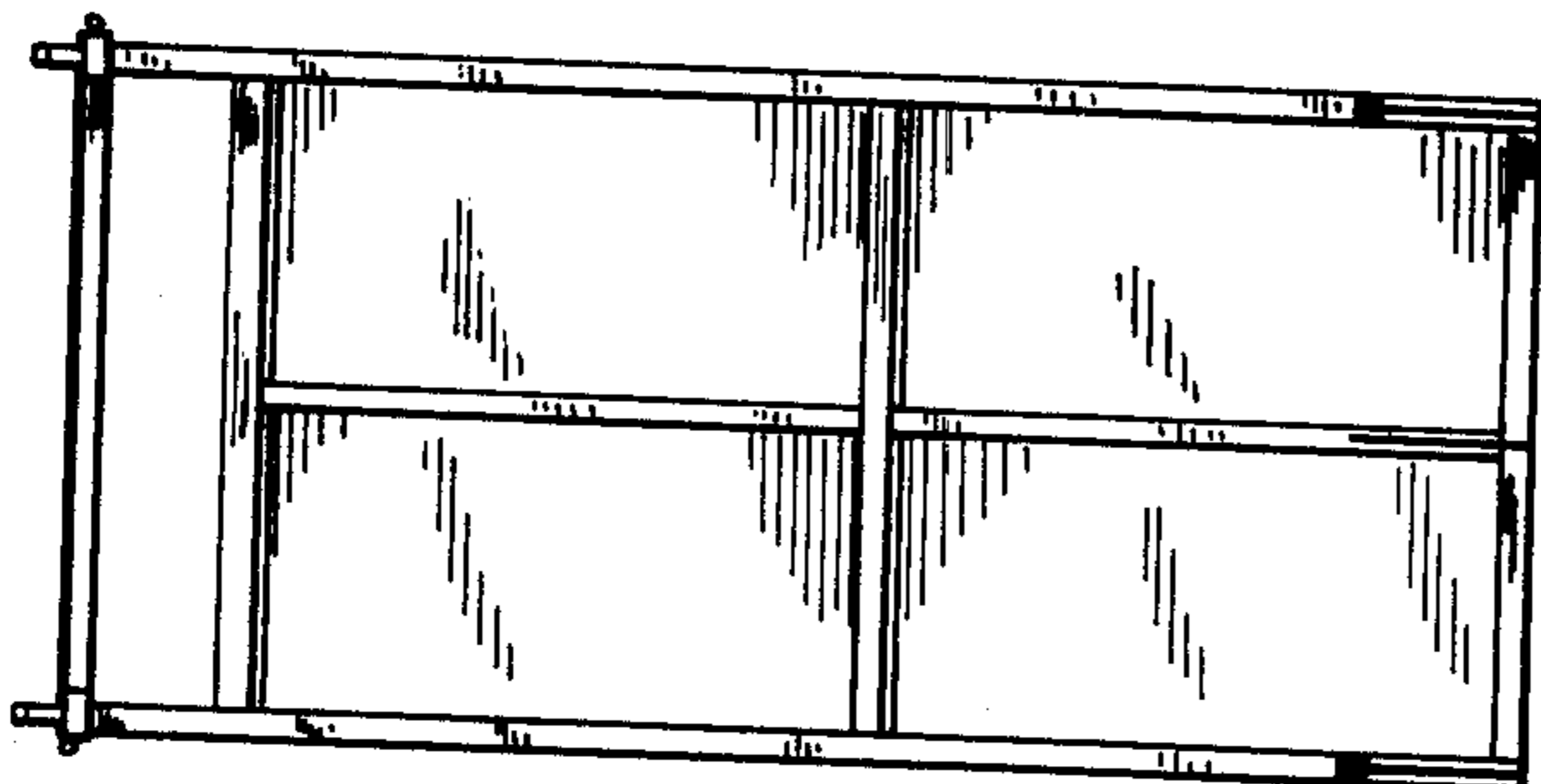
*Fig\_2*



*Fig\_3*



*Fig\_4*



*Fig\_5*