

**United States Patent** [19]  
**Torokvei**

[11] **Des. 246,633**  
 [45] **\*\* Dec. 13, 1977**

[54] **BOTTLE CARRIER**

[75] Inventor: **Thomas Evald Torokvei, Toronto, Canada**

[73] Assignee: **Scepter Manufacturing Company Limited, Toronto, Canada**

[\*\*] Term: **14 Years**

[21] Appl. No.: **638,593**

[22] Filed: **Dec. 8, 1975**

[30] **Foreign Application Priority Data**  
 Dec. 4, 1975 Canada ..... 040-12-75-5

[51] Int. Cl. .... **D9-03**  
 [52] U.S. Cl. .... **D9/179**  
 [58] Field of Search ..... 206/203, 510;  
 D9/176-179

[56]

**References Cited**

**U.S. PATENT DOCUMENTS**

D. 201,262	6/1965	Stroud .....	D9/179
2,377,520	6/1945	Robinson et al. ....	206/510 X
3,463,353	8/1969	Peebles .....	206/518 X
3,531,014	9/1970	Lane .....	206/203 X
3,968,879	7/1976	Lucas, Sr. et al. ....	220/9 F X

*Primary Examiner*—Robert C. Spangler  
*Attorney, Agent, or Firm*—Roger W. Blakely, Jr.

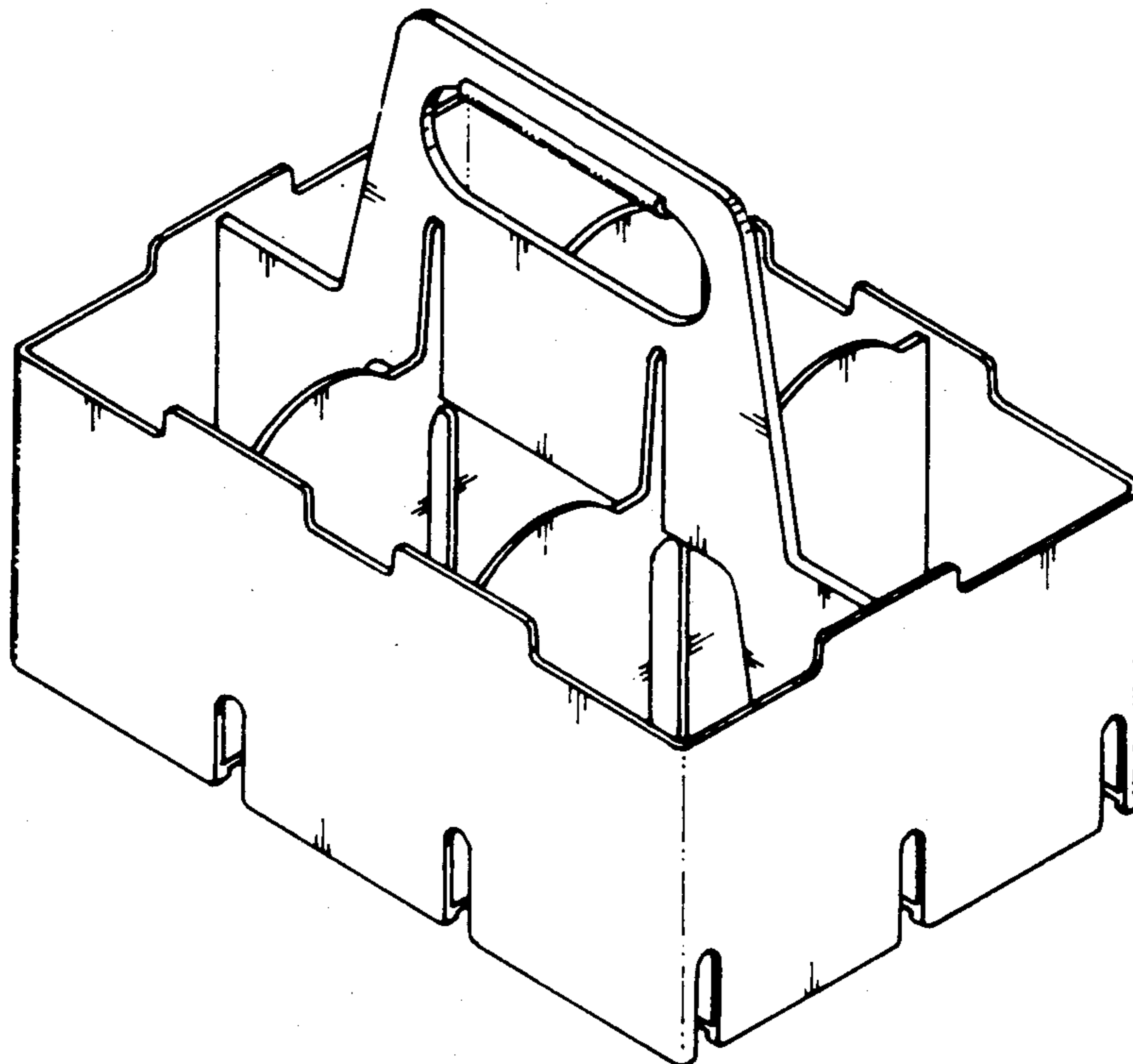
[57]

**CLAIM**

The ornamental design for a bottle carrier, as shown.

**DESCRIPTION**

FIG. 1 is a top perspective view of a bottle carrier showing my new design;  
 FIG. 2 is a bottom perspective view;  
 FIG. 3 is a longitudinal sectional view through the center on an enlarged scale;  
 FIG. 4 is a transverse sectional view on an enlarged scale; and  
 FIG. 5 is a fragmentary sectional on a still larger scale.



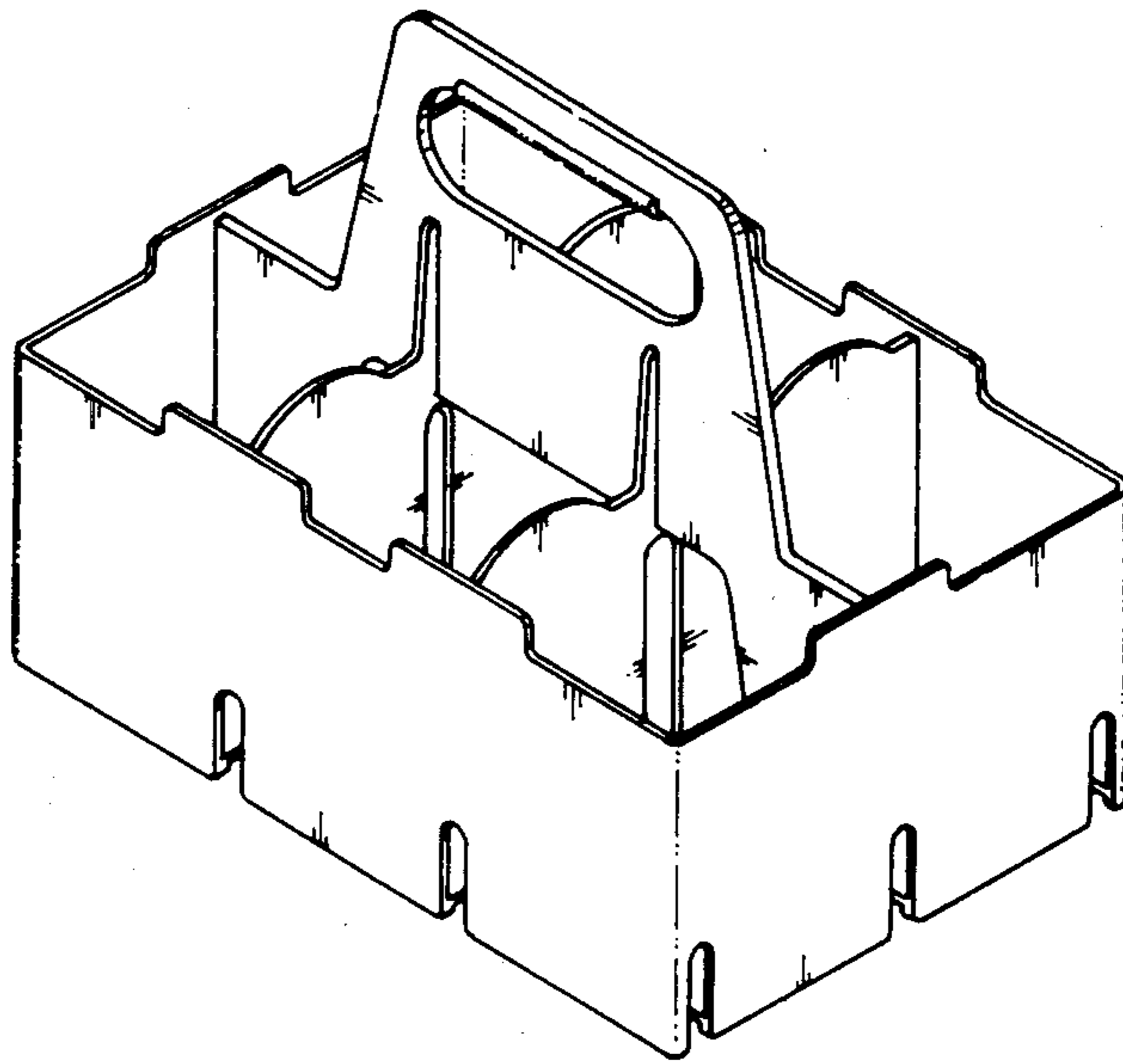


FIG. 1

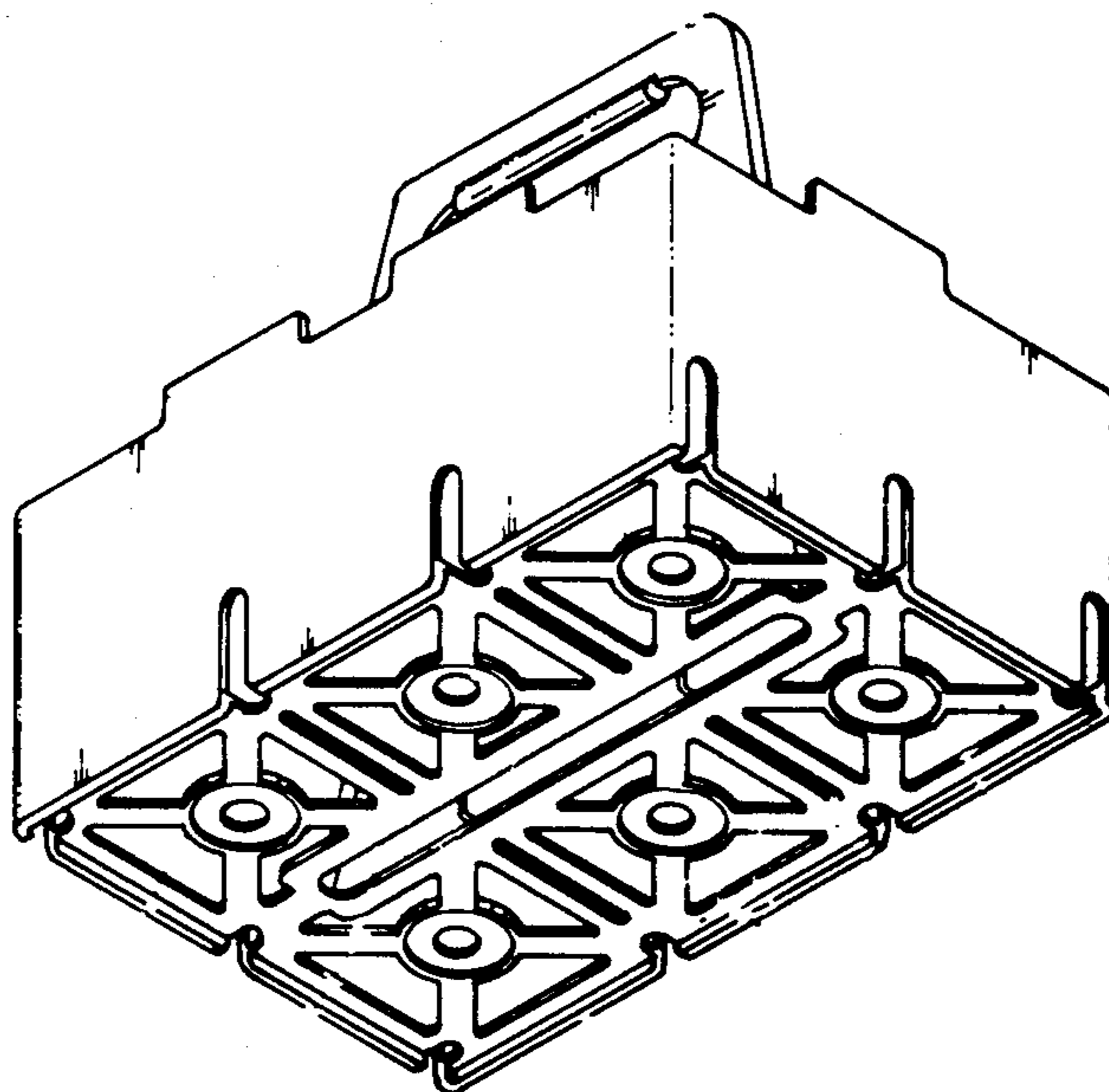


FIG. 2

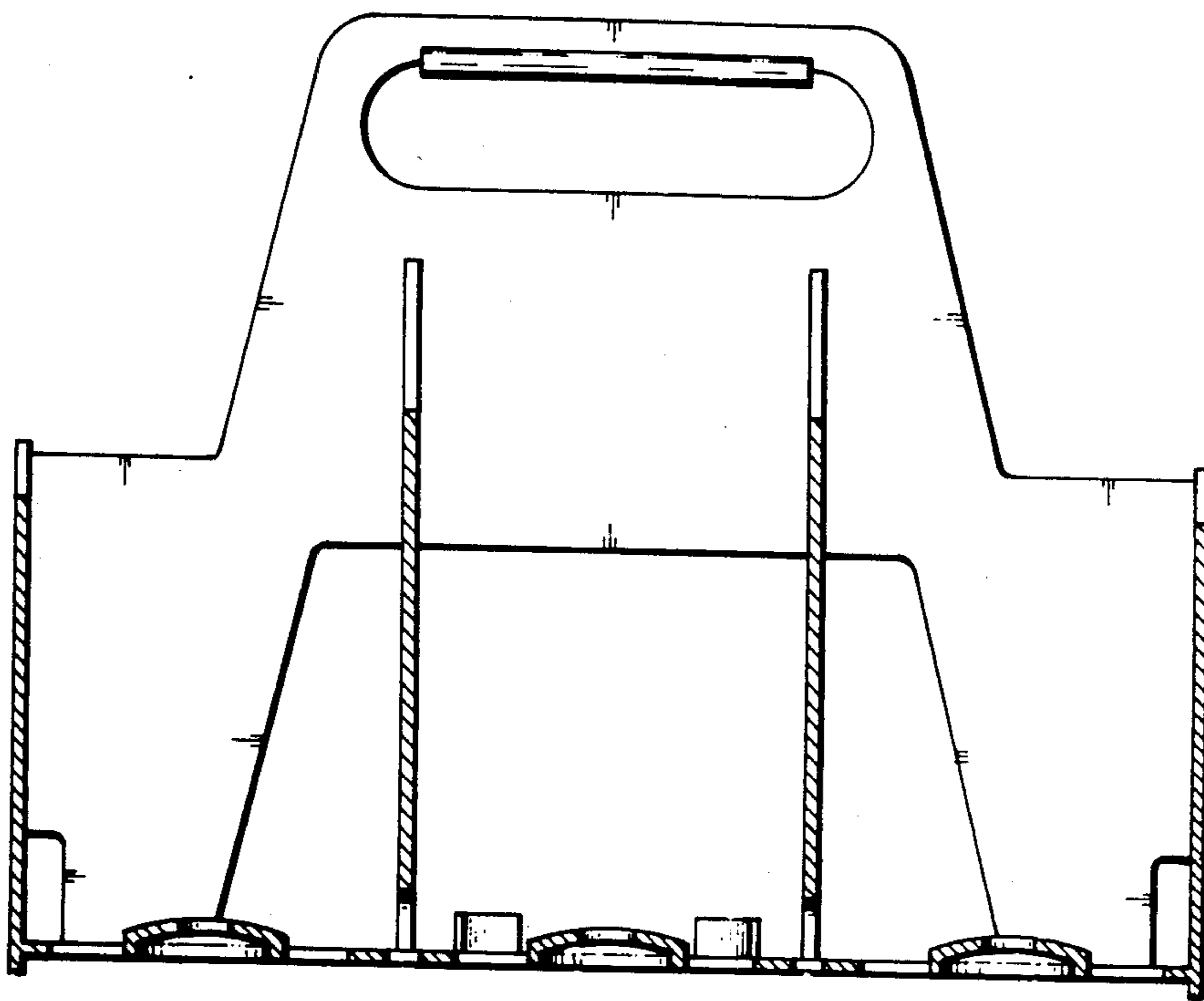


FIG. 3

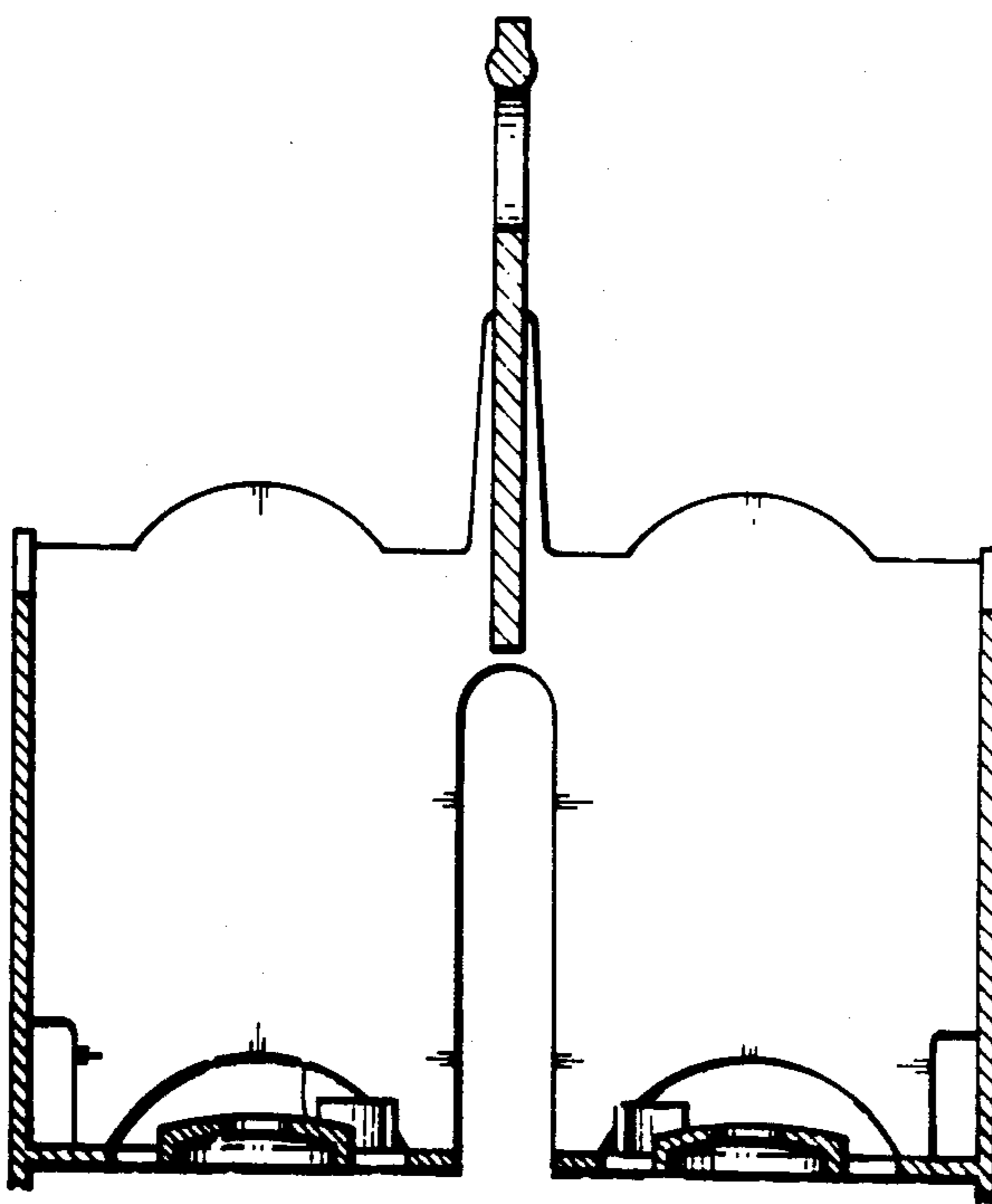


FIG. 4

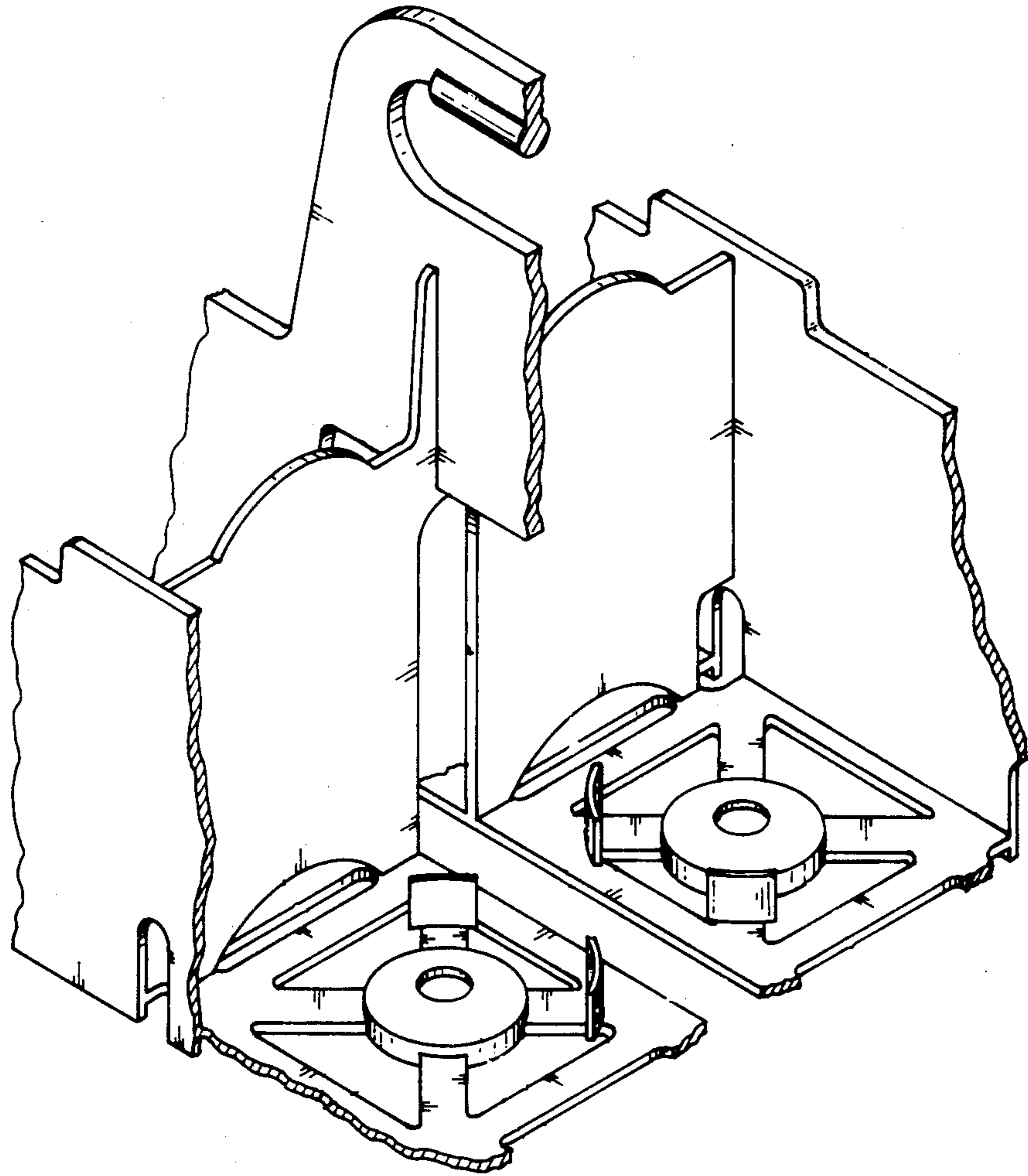


FIG. 5