

[54] CORNER BUMPER

[75] Inventor: Frederick R. Becker, III, Dallas, Pa.

[73] Assignee: Metropolitan Wire Corporation, Wilkes-Barre, Pa.

[**] Term: 14 Years

[21] Appl. No.: 688,731

[22] Filed: May 21, 1976

[51] Int. Cl. D6-01

[52] U.S. Cl. D6/191

[58] Field of Search D6/1, 4, 145, 146, 147, D6/148, 149, 156, 158, 159, 160, 161, 162, 163, 164, 165, 166, 191, 192, 193; 248/345.1; 312/137, 140.1, 140.2, 140.3, 140.4; D25/79

[56] References Cited

U.S. PATENT DOCUMENTS

- D. 172,449 6/1954 Tedaldi et al. D6/191
- D. 192,113 1/1962 Anderson D6/191 X

1,935,718	11/1933	Johnson	248/345.1
2,685,147	8/1954	Burr	248/345.1
3,093,924	6/1963	Pompa	248/345.1
3,144,236	8/1964	Clanin	248/345.1
3,446,345	5/1969	Frosoy	248/345.1
3,922,408	11/1975	Smith	248/345.1 X

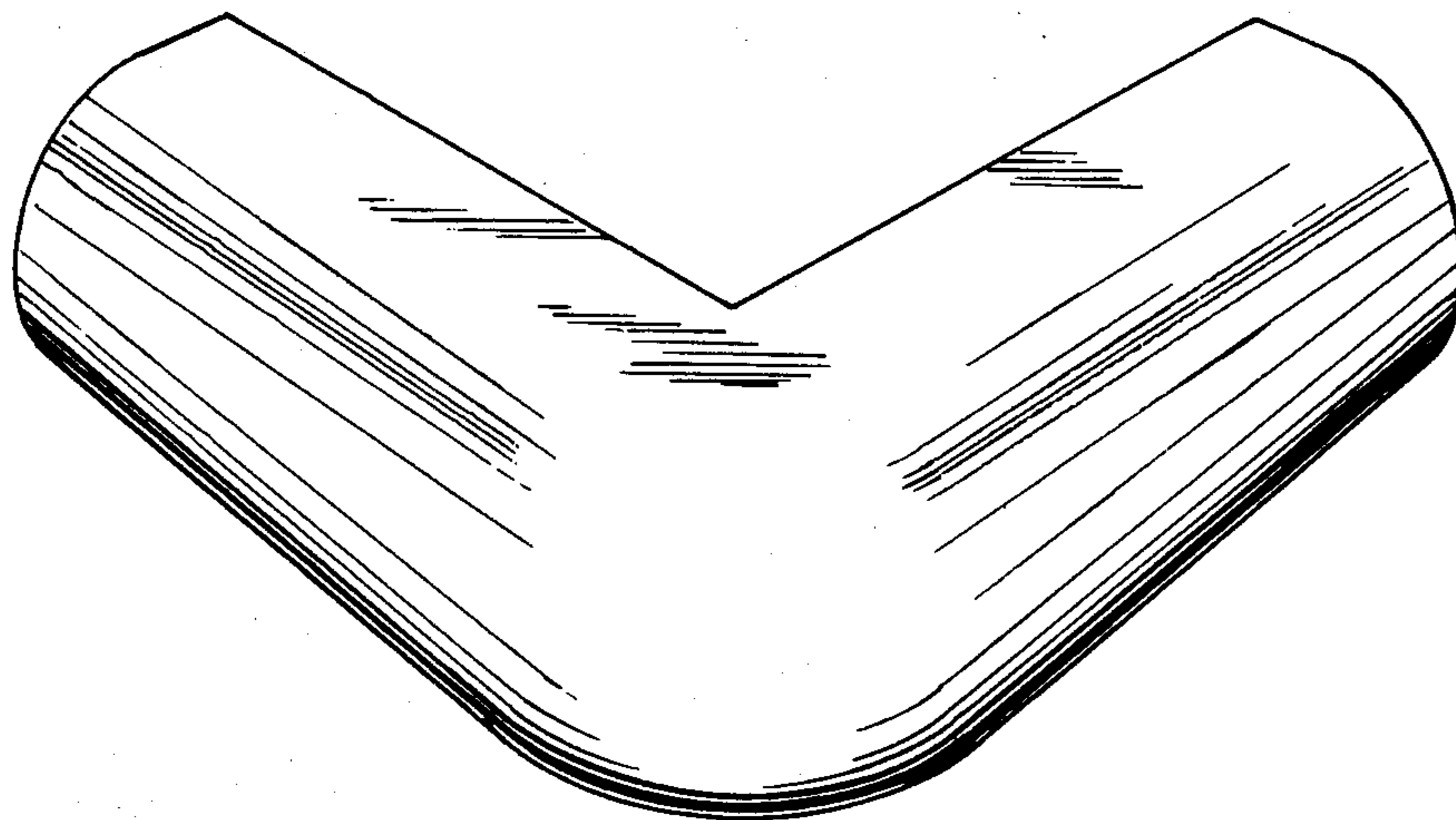
Primary Examiner—Bruce W. Dunkins
Attorney, Agent, or Firm—Abraham Friedman

[57] CLAIM

The ornamental design for a corner bumper, substantially as shown.

DESCRIPTION

FIG. 1 is a front perspective view of a corner bumper showing my new design;
 FIG. 2 is a rear perspective view;
 FIG. 3 is a bottom plan view;
 FIG. 4 is a rear elevational view;
 FIG. 5 is a cross sectional view of FIG. 3; and
 FIG. 6 is a rear perspective view of another embodiment of a corner bumper showing my new design.



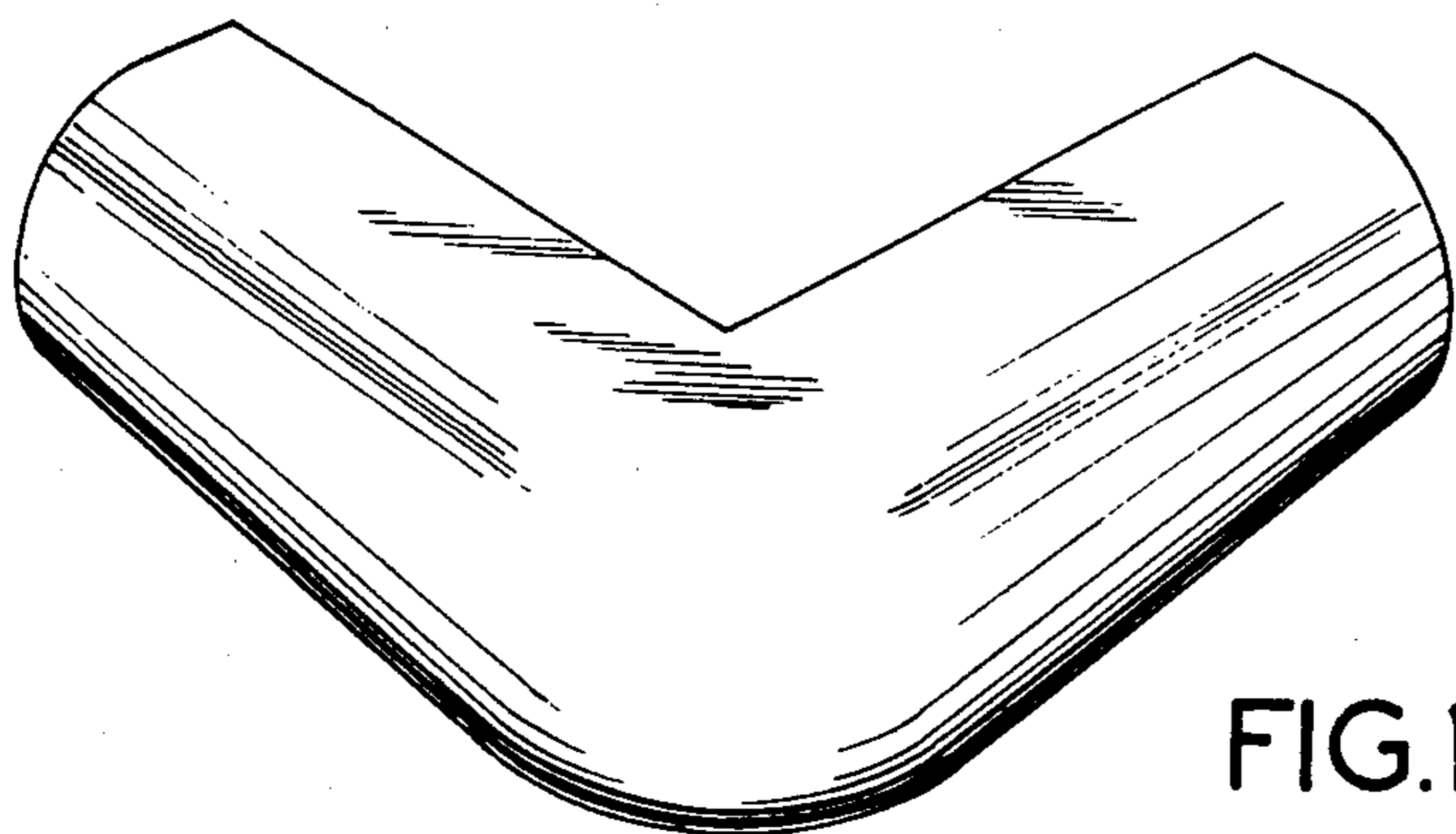


FIG. 1

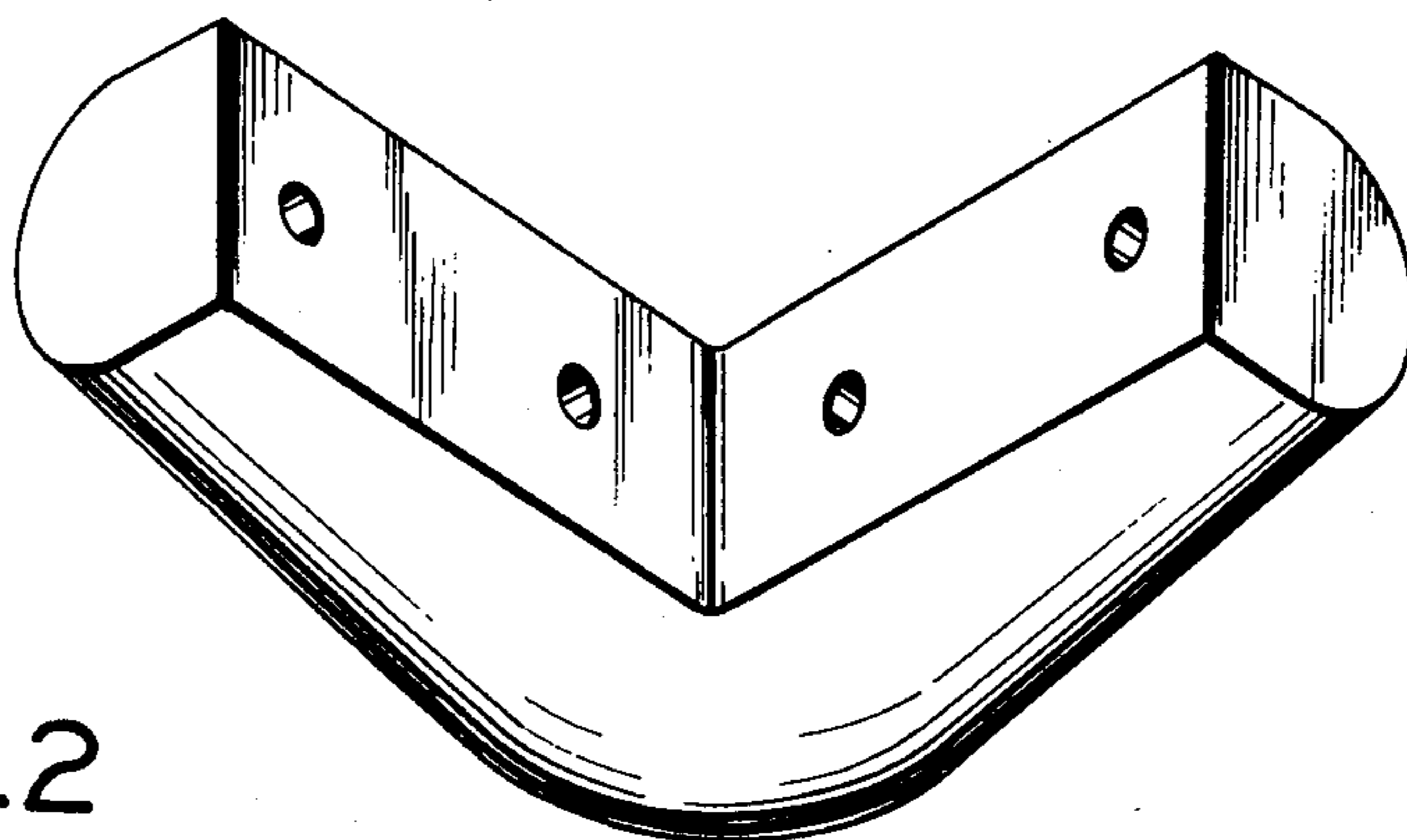


FIG. 2

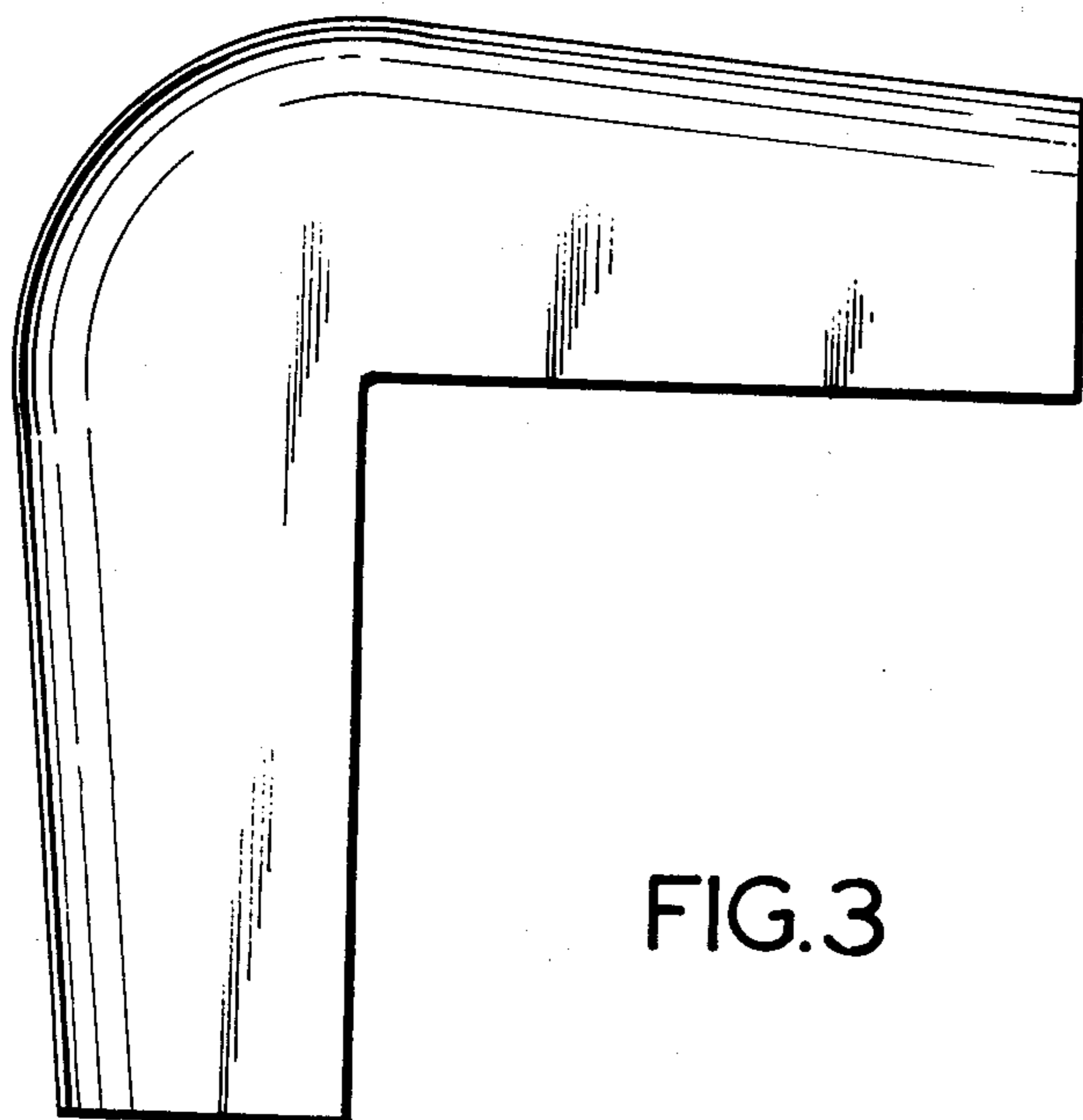


FIG. 3

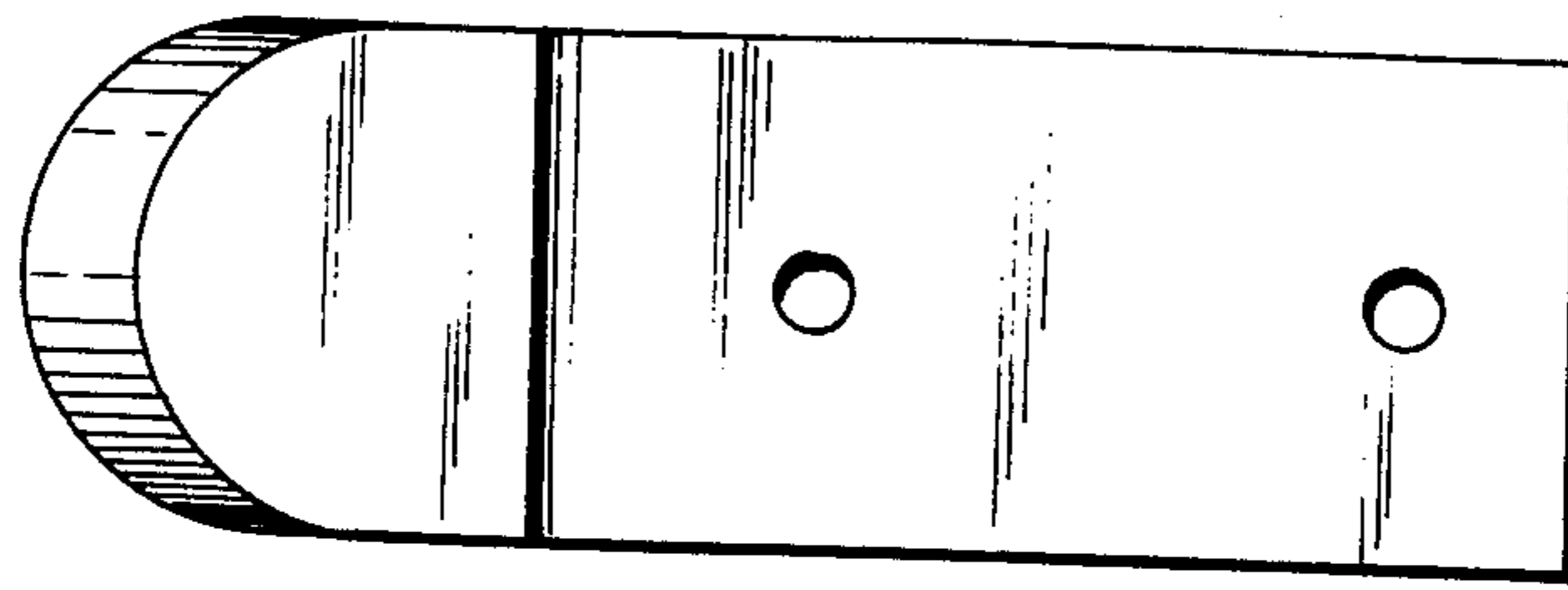


FIG. 4

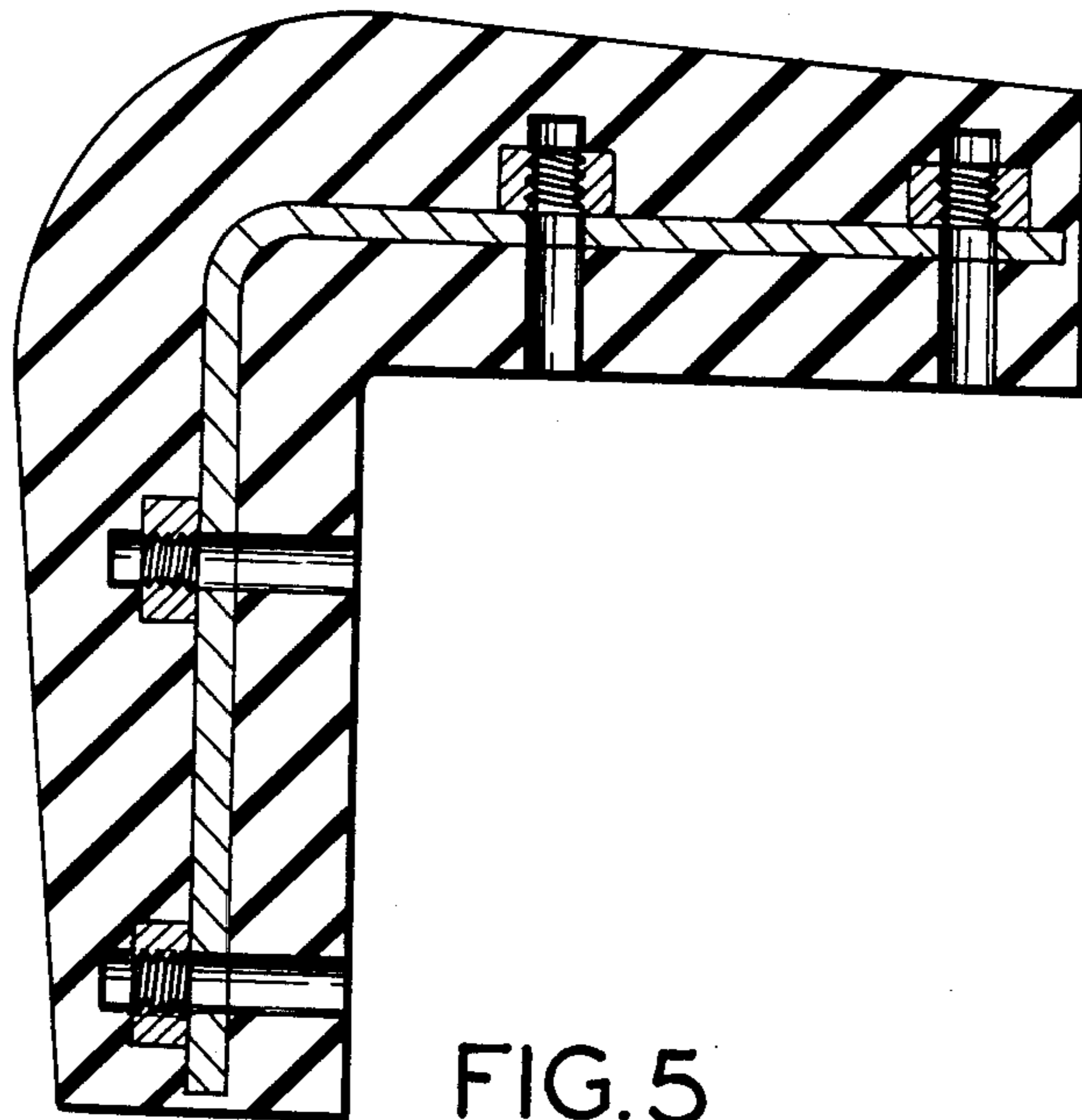


FIG. 5

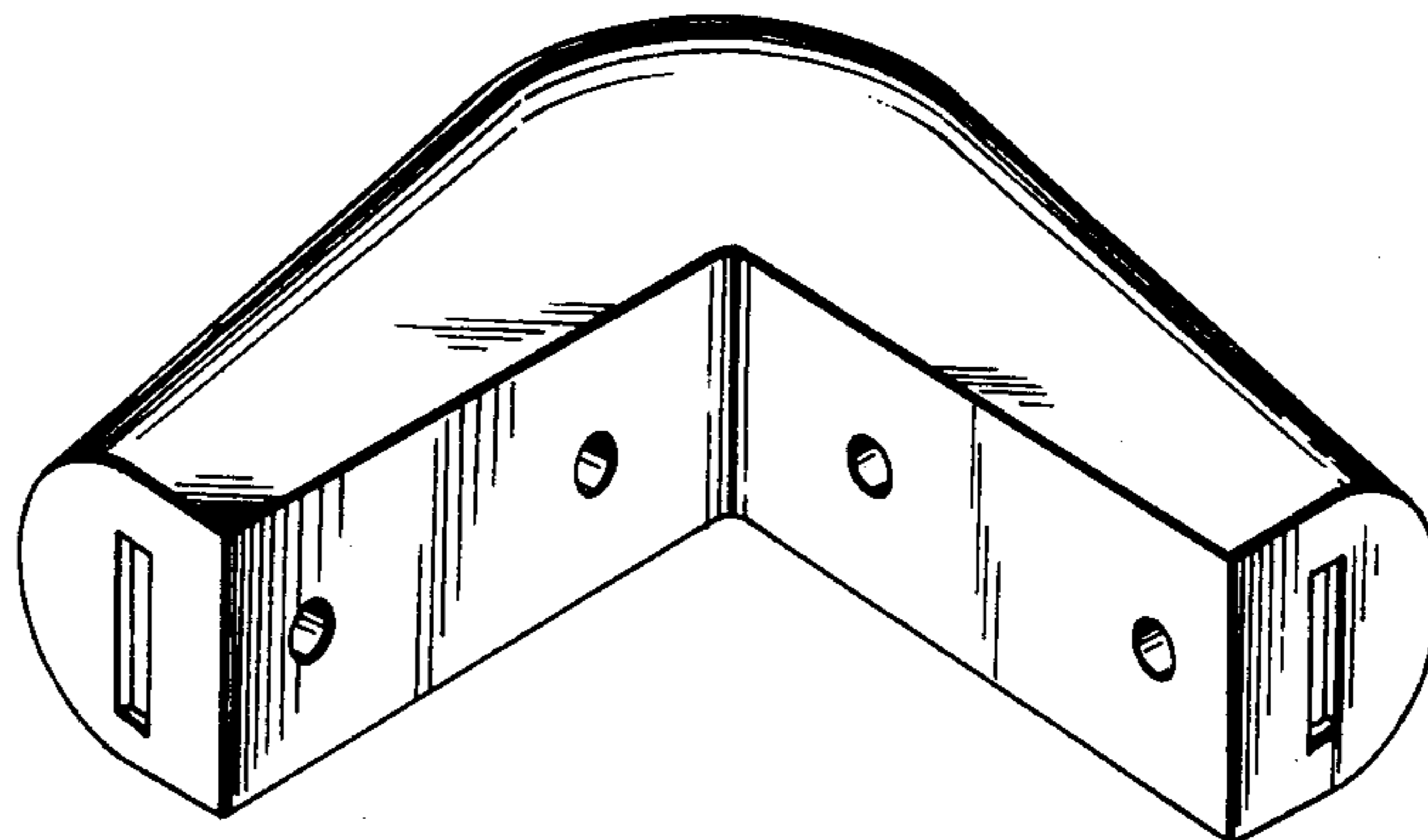


FIG. 6