

[54] CHAIR

[75] Inventors: Jan Dranger; Johan Huldt, both of Stockholm, Sweden

[73] Assignee: Innovator Design AB, Stockholm, Sweden

[**] Term: 14 Years

[21] Appl. No.: 695,549

[22] Filed: June 14, 1976

[30] Foreign Application Priority Data
Dec. 16, 1975 Sweden 2504/75

[51] Int. Cl. D6-01

[52] U.S. Cl. D6/47

[58] Field of Search D6/37, 38, 39, 47, 56, D6/67, 69, 75

[56]

References Cited

U.S. PATENT DOCUMENTS

D. 113,852	3/1939	Pharo	D6/41
D. 241,486	9/1976	Rodriguez	D6/47 X
D. 241,792	10/1976	Wehner	D6/67 X

OTHER PUBLICATIONS

"Patio Sales", Catalog received, Oct. 11, 1960, chair No. 102, p. 11.

Primary Examiner—Bruce W. Dunkins
Attorney, Agent, or Firm—George H. Spencer

[57]

CLAIM

The ornamental design for a chair, as shown and described.

DESCRIPTION

FIG. 1 is a front and side perspective view of a chair showing our design;
FIG. 2 is a front perspective view;
FIG. 3 is a rear perspective view;
FIG. 4 is a side perspective view; and
FIG. 5 is a rear perspective view thereof.

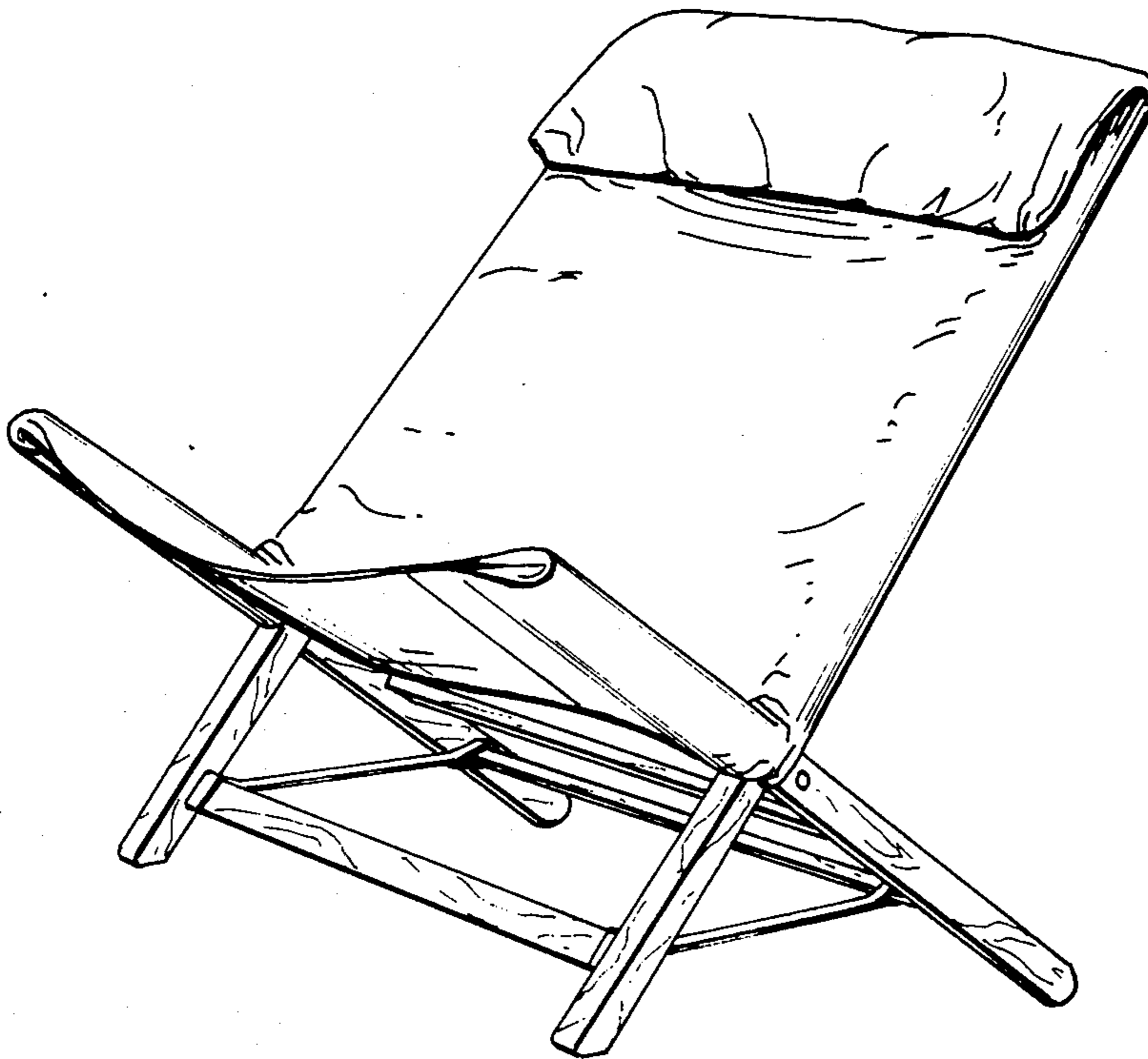


FIG. 1



FIG. 2

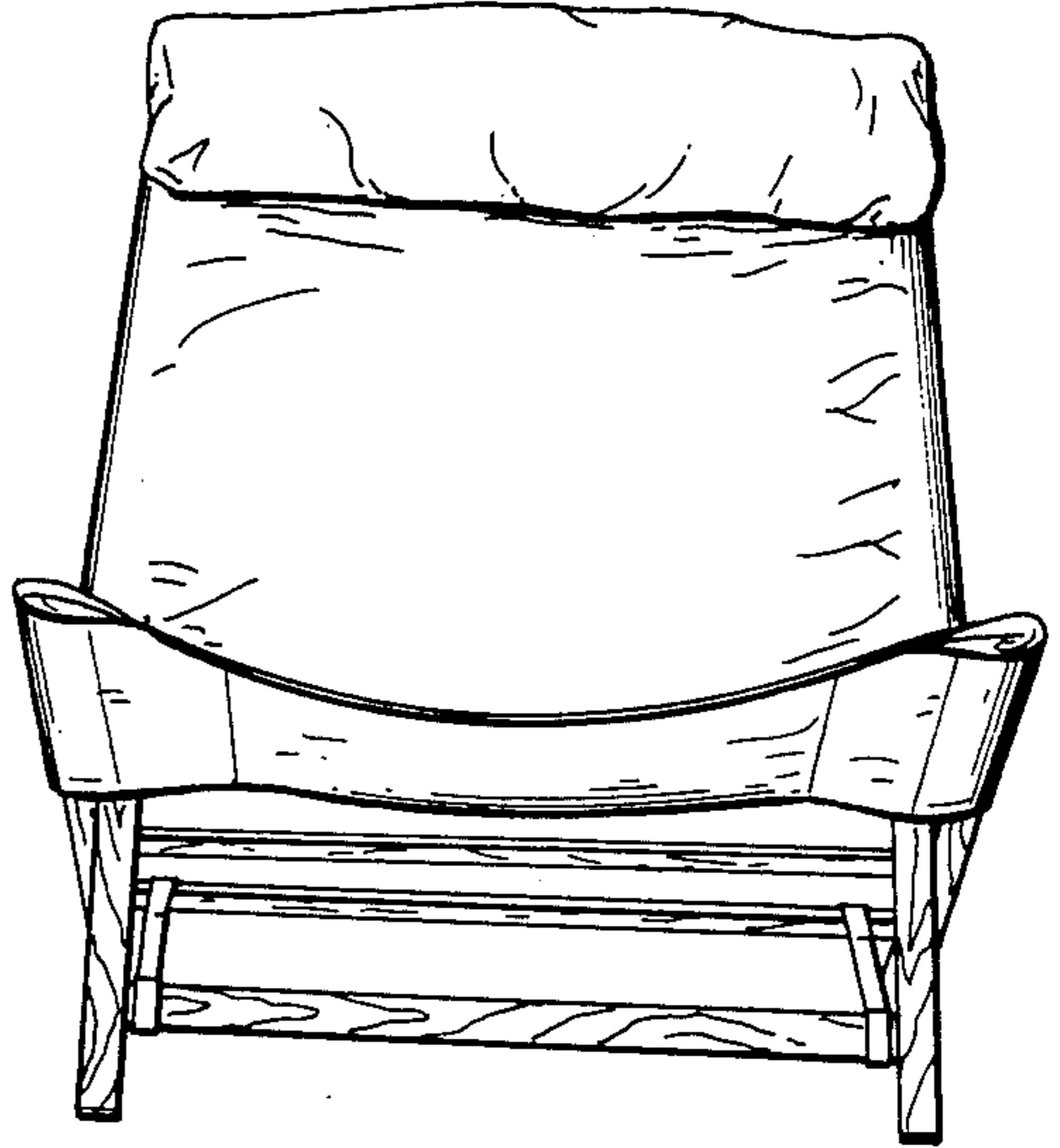


FIG. 3



FIG. 4

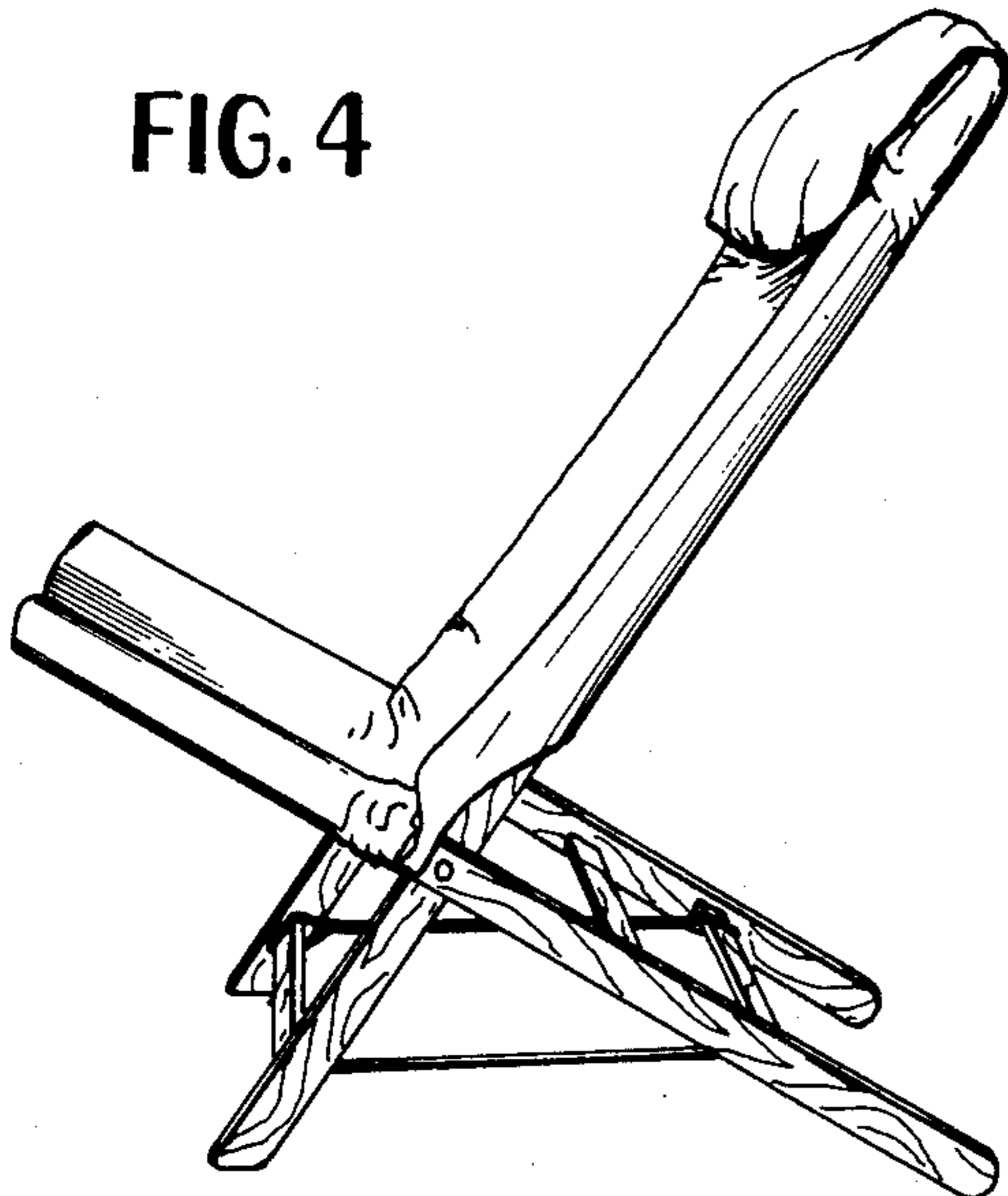


FIG. 5

