

[54] SIMULATIVE TOY TOP

[75] Inventor: Ray W. Johnson, Wichita, Kans.

[73] Assignee: David L. Gordon, Wichita, Kans.; a part interest

[\*\*] Term: 14 Years

[21] Appl. No.: 693,132

[22] Filed: June 4, 1976

[51] Int. Cl. .... D21-01

[52] U.S. Cl. .... D34/15 BB

[58] Field of Search ..... D34/15 R, 15 W, 15 BB, D34/15 AH, 5 CT; 46/1 R, 1 A, 26, 47, 60, 61, 64, 65, 66, 71, 72; 273/157 R

[56] References Cited

U.S. PATENT DOCUMENTS

1,207,200	12/1916	Novak	46/72
1,506,598	8/1924	Meleg	46/72
1,633,486	6/1927	Lunz	46/72

1,907,084	5/1933	Morini	46/72
2,445,421	7/1948	Davis	273/157 R

OTHER PUBLICATIONS

Better Homes & Gardens, 10-1964, p. 109, Douganut.

Primary Examiner—Joel Stearman

Assistant Examiner—C. A. Rademaker

Attorney, Agent, or Firm—George B. White

[57] CLAIM

The ornamental design for simulative toy top, as shown and described.

DESCRIPTION

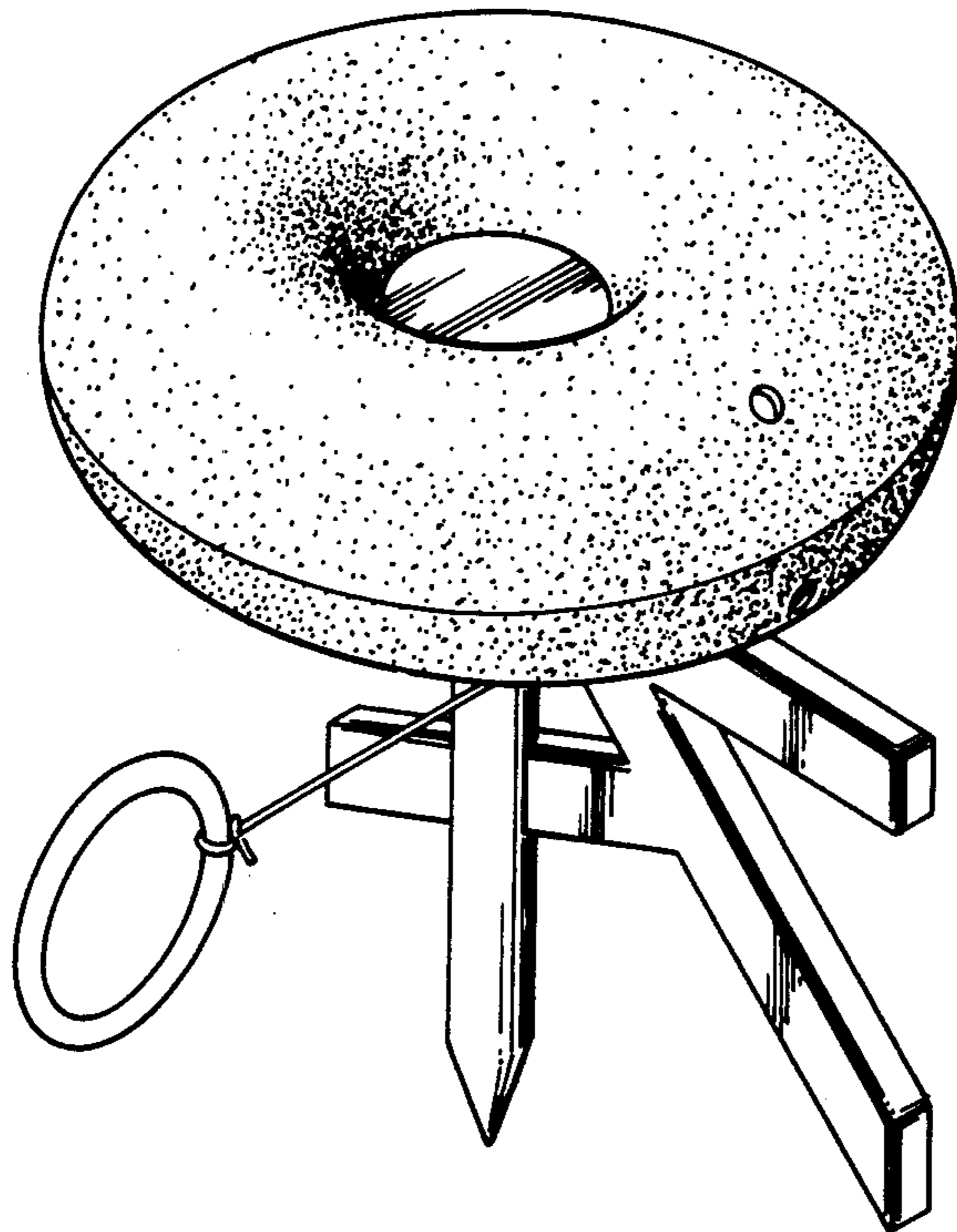
FIG. 1 is a front perspective view of a simulative toy top showing my new design;

FIG. 2 is a side elevational view of FIG. 1;

FIG. 3 is a side elevational view thereof rotated ninety degrees;

FIG. 4 is a bottom plan view thereof; and,

FIG. 5 is a fragmentary of the side opposite that shown in FIG. 3.



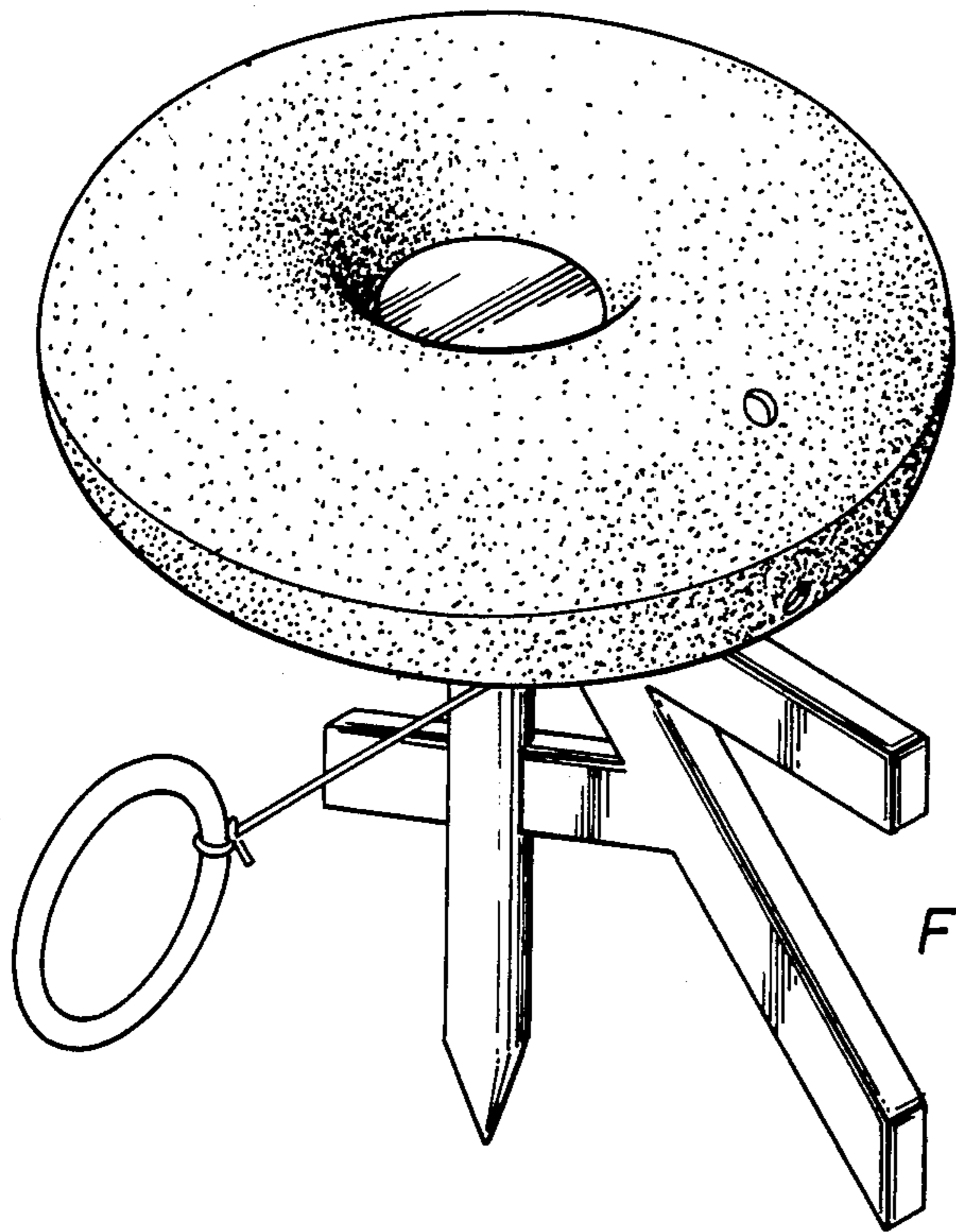


FIG. 1.

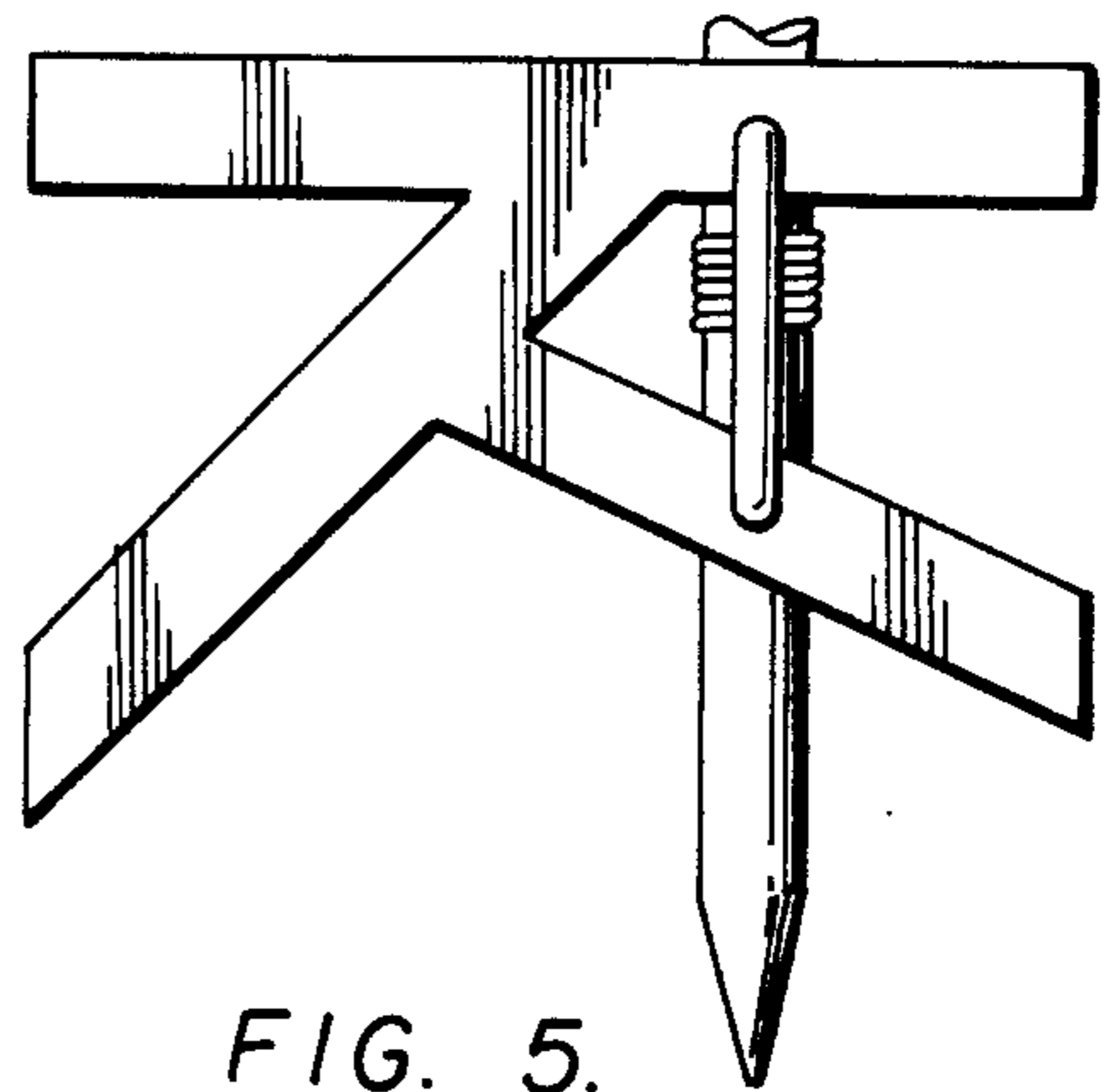


FIG. 5.

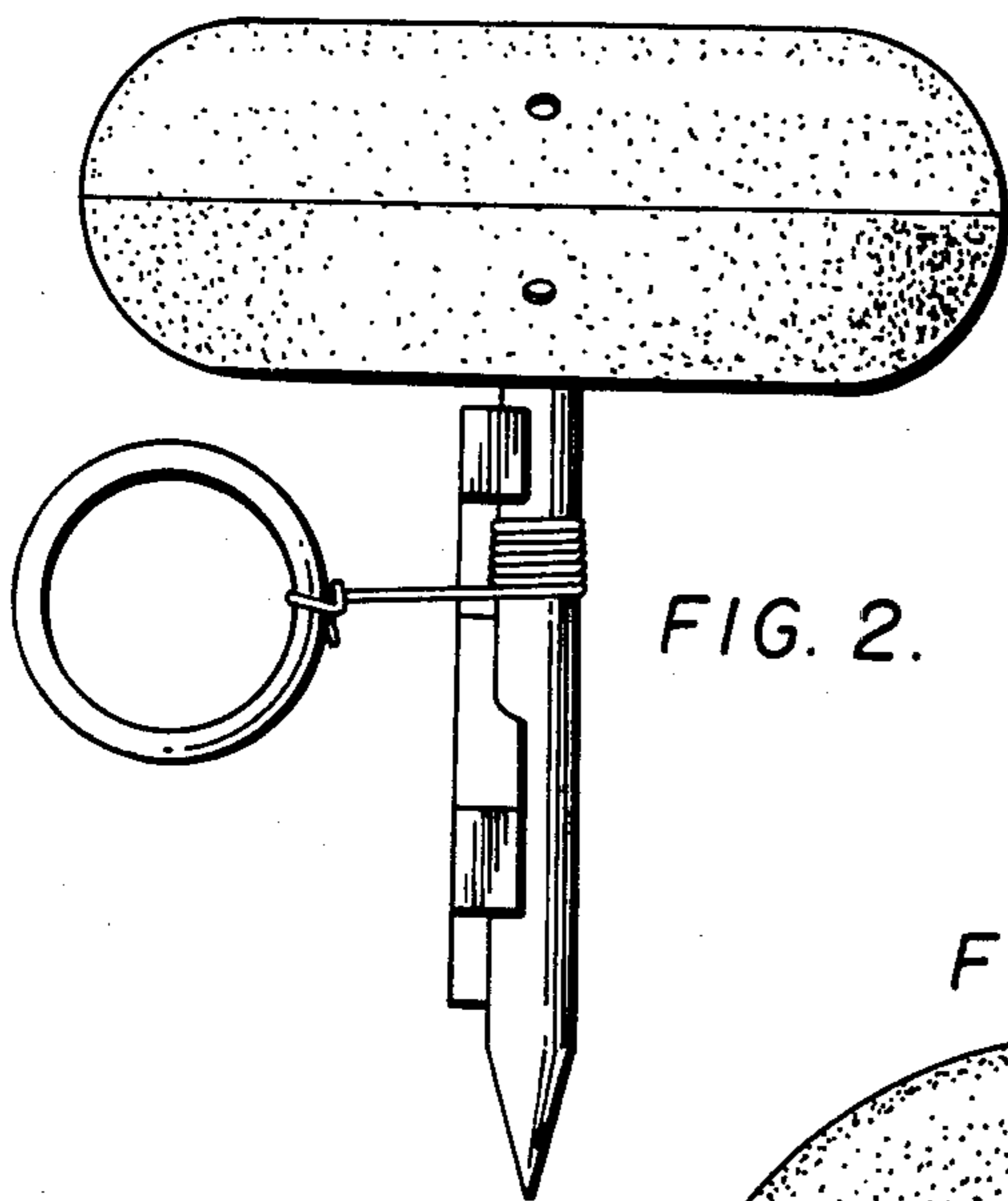


FIG. 2.

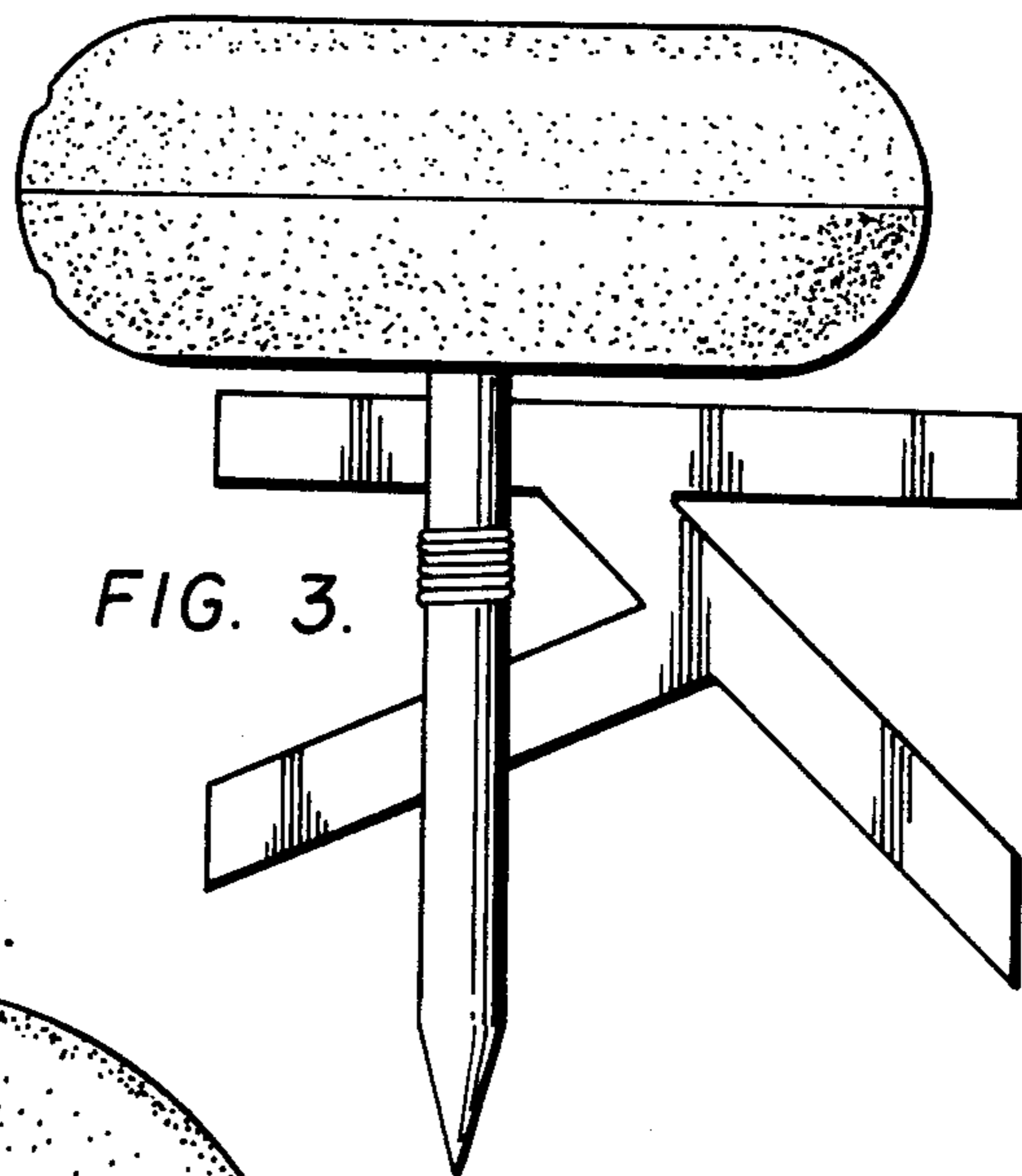


FIG. 3.

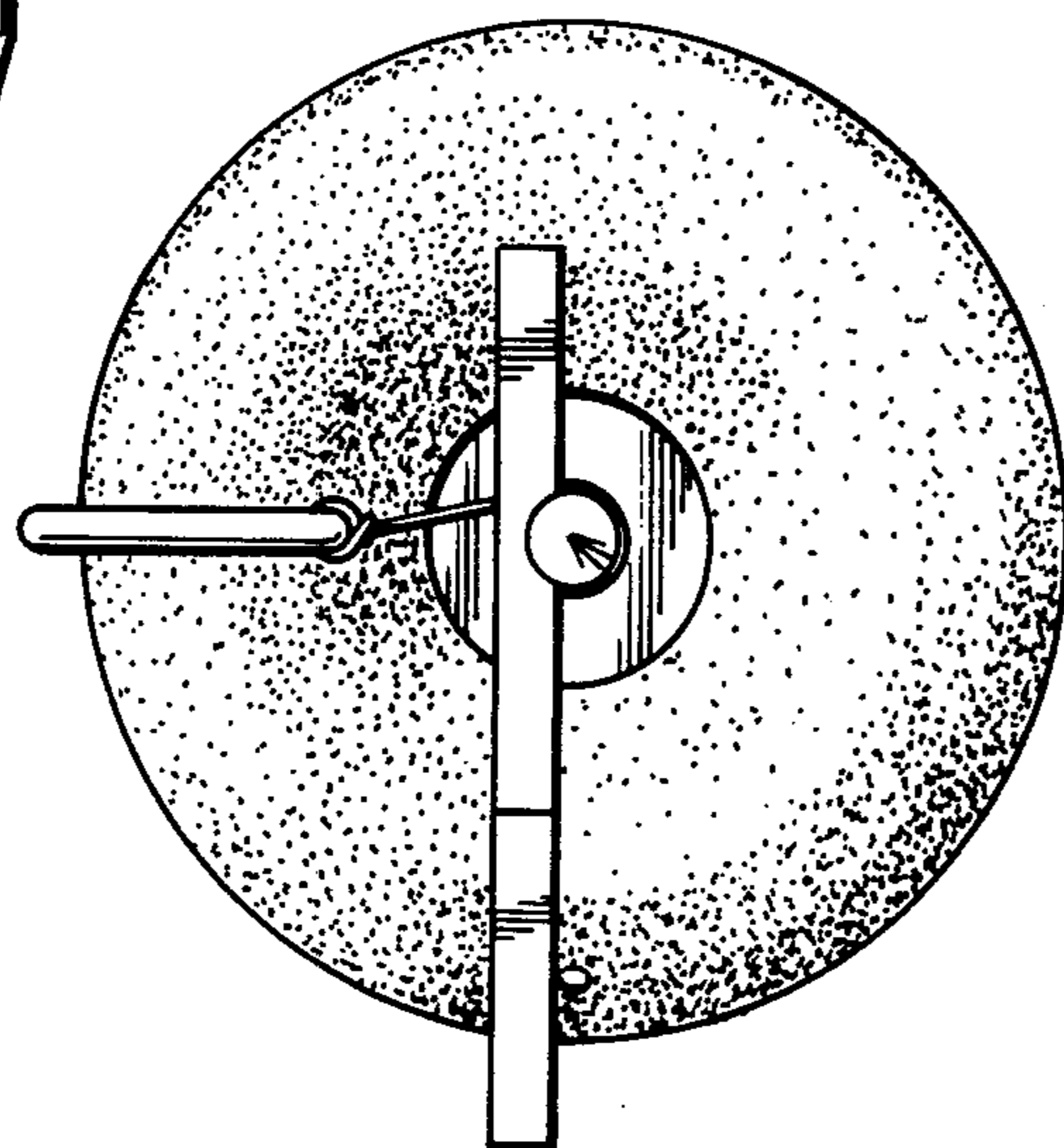


FIG. 4.