

[54] TOY RACING CAR

[75] Inventor: Iwakichi Ogawa, Kashiwa, Japan

[73] Assignee: Takara Co., Ltd., Tokyo, Japan

[**] Term: 14 Years

[21] Appl. No.: 689,949

[22] Filed: May 25, 1976

[51] Int. Cl. D21-01

[52] U.S. Cl. D34/15 AJ

[58] Field of Search D34/15 D, 15 AM, 15 AN,
D34/15 AJ; 46/103, 105, 201, 202, 204, 206,
210, 211, 212, 213; 280/87.01, 87.02 R

[56] References Cited

U.S. PATENT DOCUMENTS

- D. 222,918 2/1972 Dallara D34/15 AJ
D. 222,919 2/1972 Chapman D34/15 AJ

OTHER PUBLICATIONS

Scalextric Catalog, 2-1973, p. 13, C/23 Scalletti-Arrow.

Playthings, 1-1975, p. 30, toy car at right side of page.

Primary Examiner—Joel Stearman

Assistant Examiner—C. A. Rademaker

Attorney, Agent, or Firm—Harold L. Jackson

[57] CLAIM

The ornamental design for a toy racing car, substantially as shown and described.

DESCRIPTION

FIG. 1 is a front perspective view of a toy racing car, showing my new design;

FIG. 2 is a top plan view thereof, shown on a slightly enlarged scale;

FIG. 3 is a right side elevational view thereof;

FIG. 4 is a front elevational view thereof, and

FIG. 5 is a rear elevational view thereof.

The side of the toy racing car opposite the view of FIG. 3 is substantially a mirror image thereof.

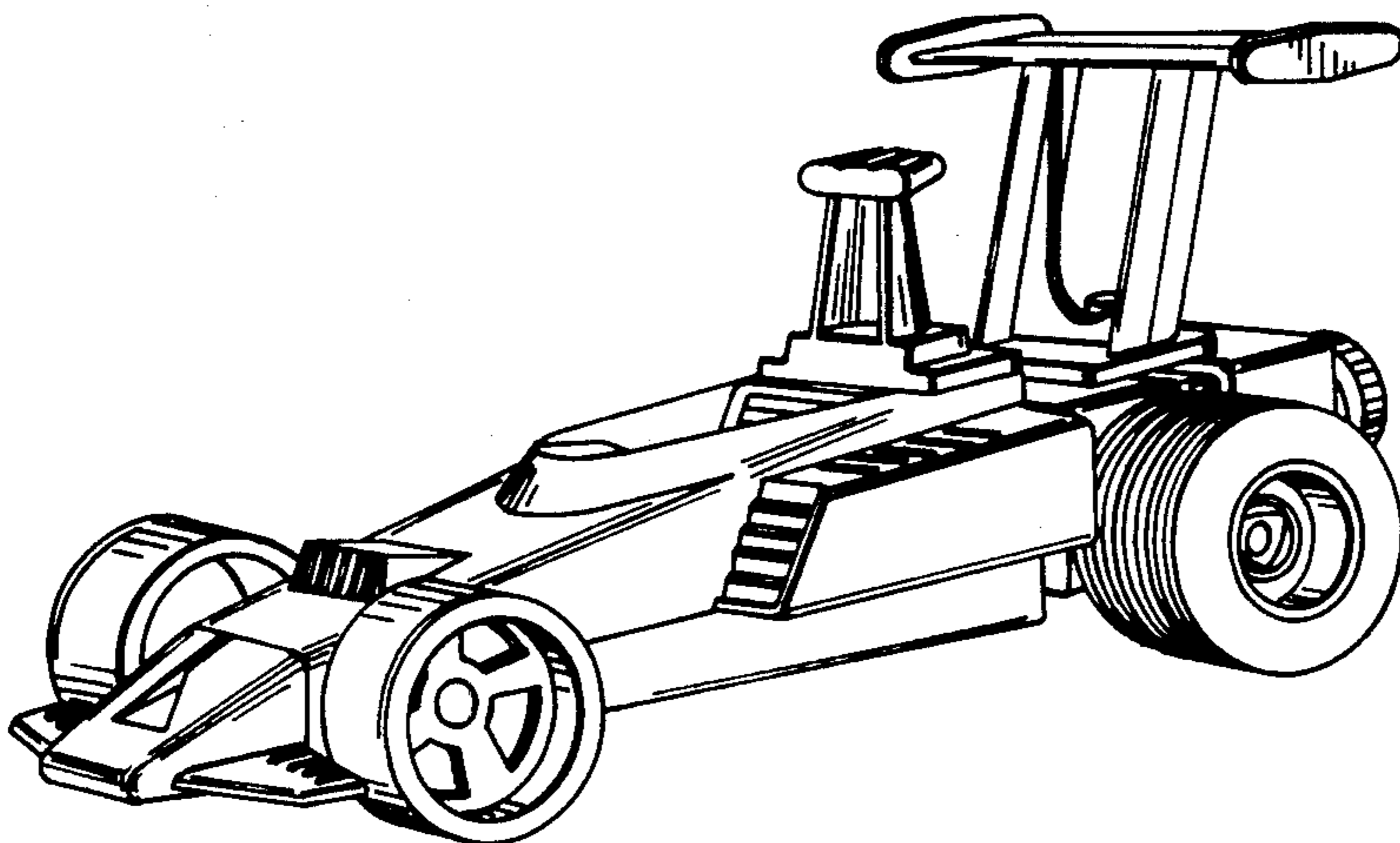


FIG. 1

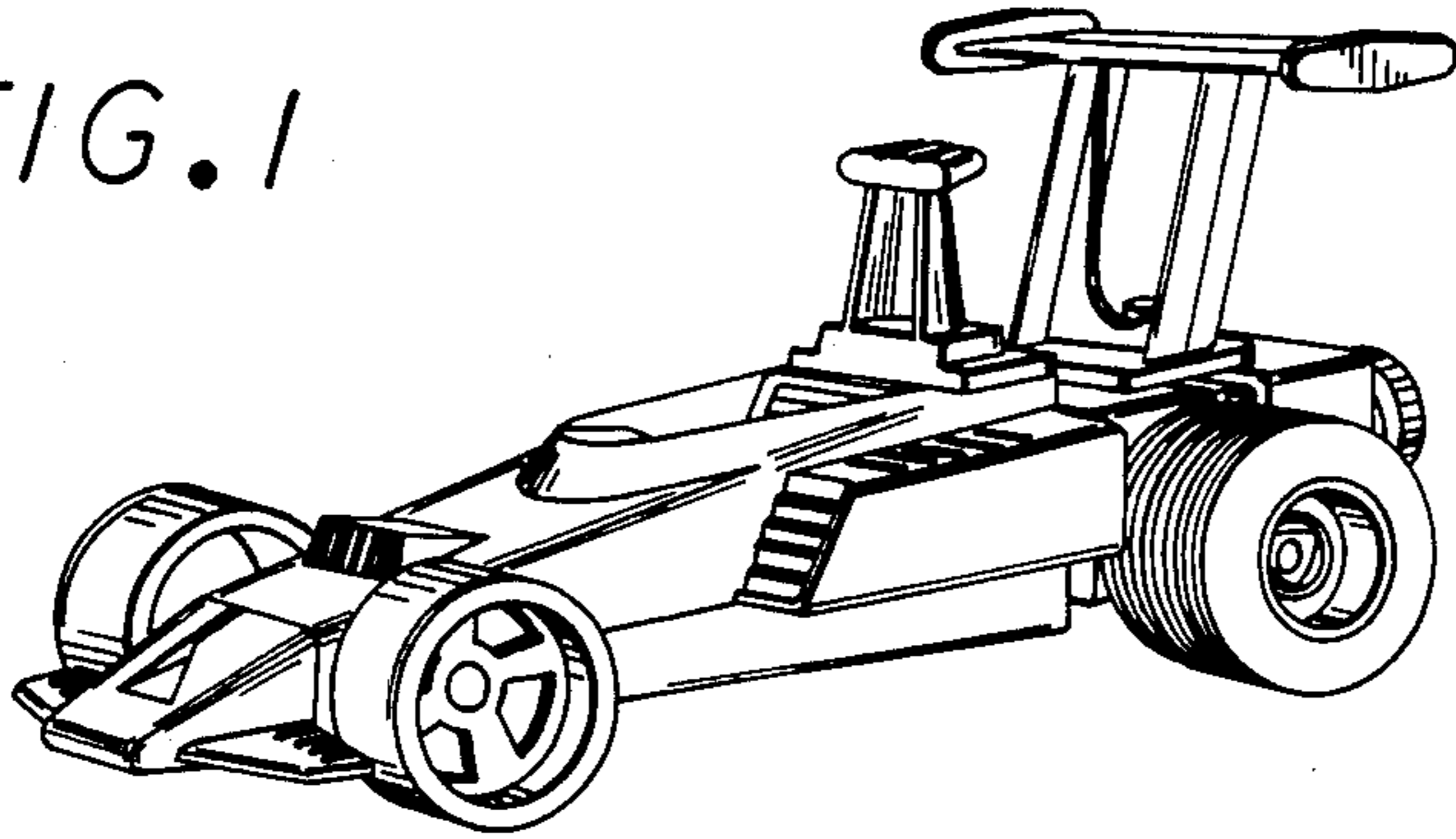


FIG. 2

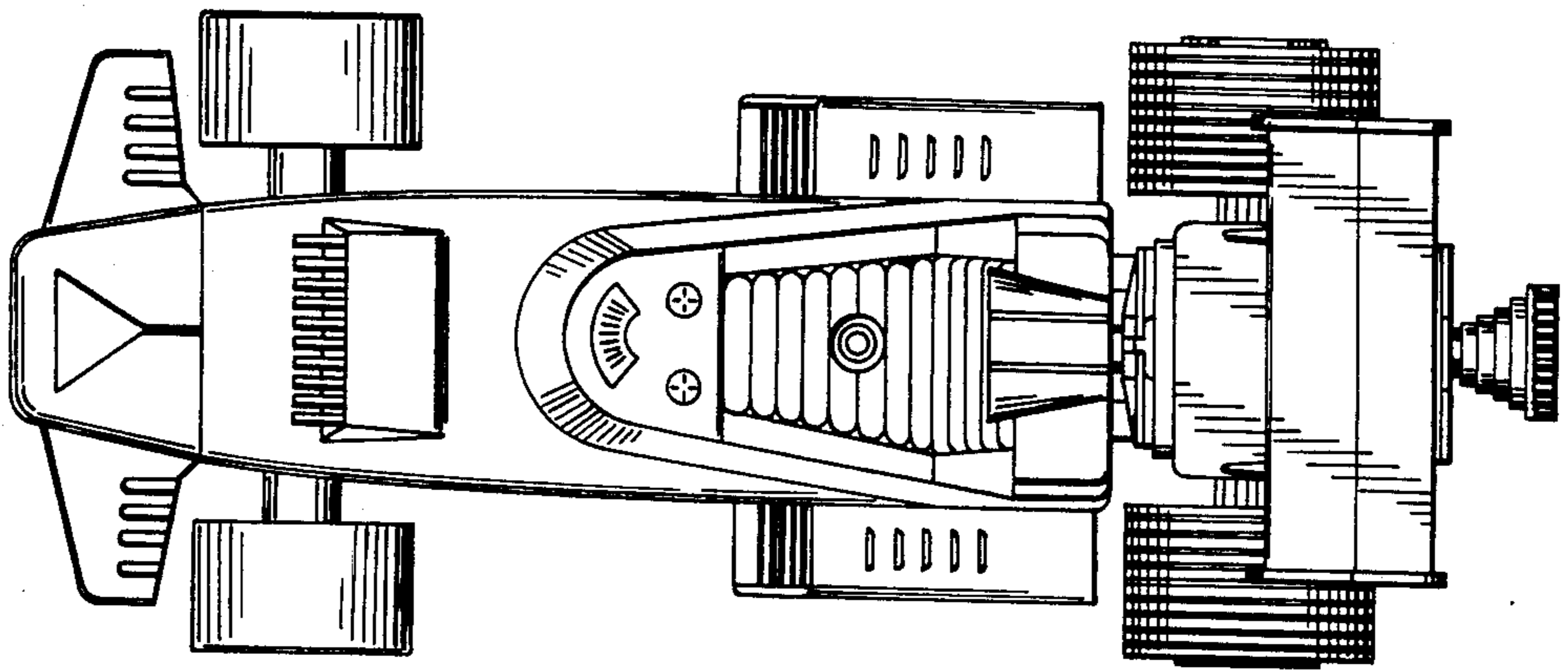


FIG. 3

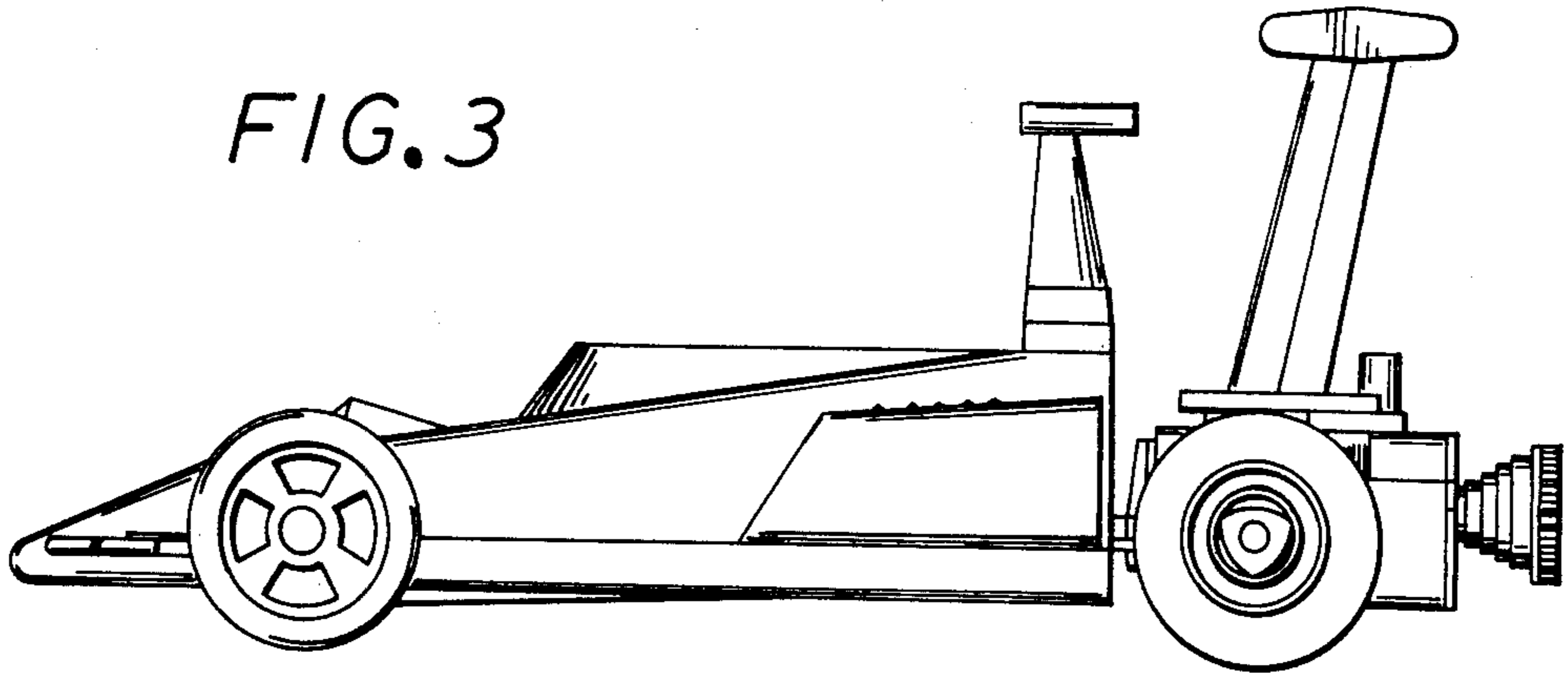


FIG. 4

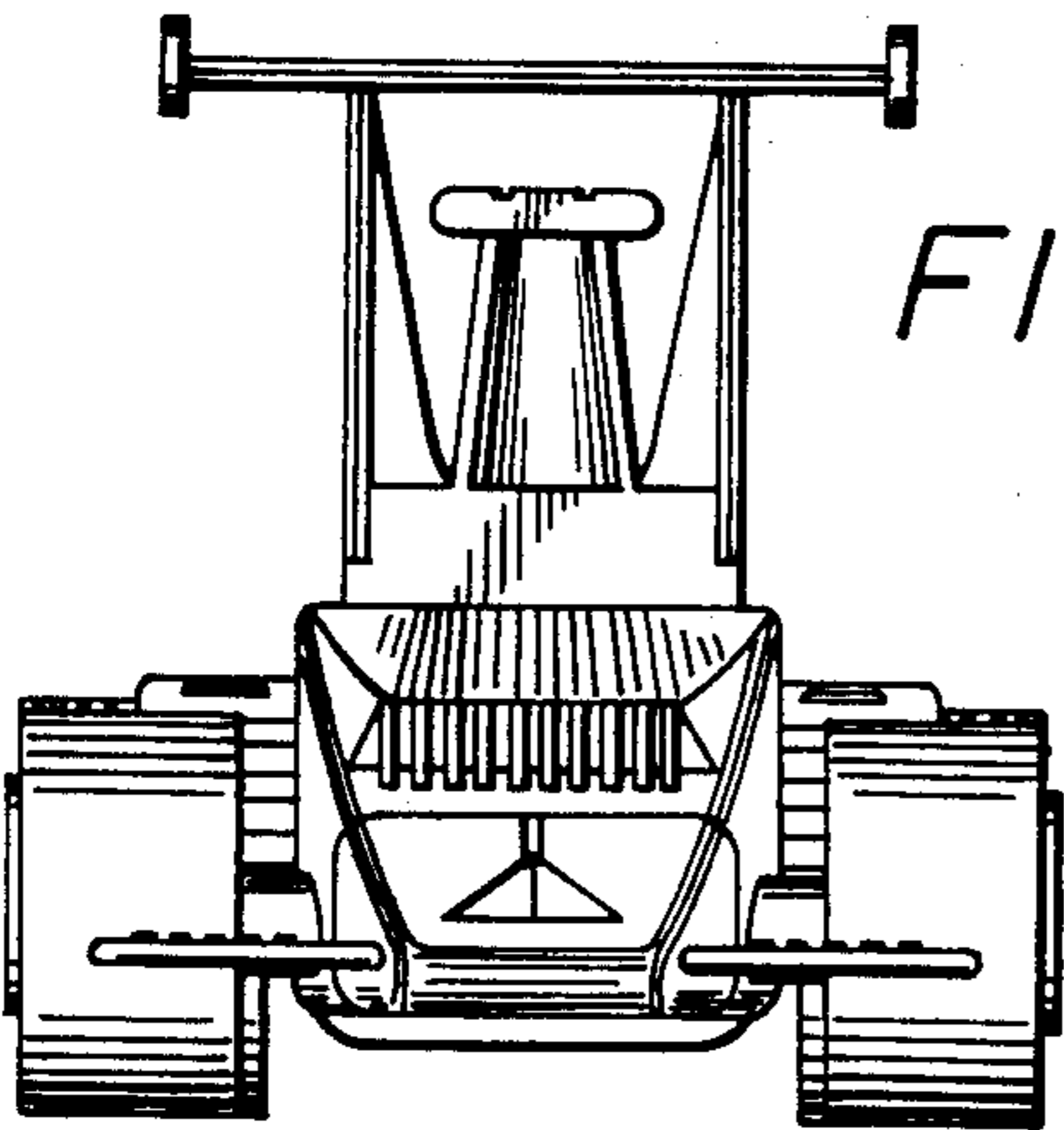


FIG. 5

