

[54] PORTABLE HAIR DRYER

- [75] Inventors: Morison S. Cousins, Plainview;
Michael A. Cousins, Huntington,
both of N.Y.
- [73] Assignee: The Gillette Company, Boston, Mass.
- [**] Term: 14 Years
- [21] Appl. No.: 672,788
- [22] Filed: Apr. 1, 1976

- [51] Int. Cl. D28-03
- [52] U.S. Cl. D28/13
- [58] Field of Search D28/9, 10, 12-16,
D28/18, 24; D4/13, 14, 17; 34/96-101;
219/222; 132/7, 9, 11 R, 11 A, 118

[56] References Cited

U.S. PATENT DOCUMENTS

- | | | | |
|------------|--------|--------------|---------|
| D. 227,944 | 7/1973 | Tucker | D28/13 |
| 3,308,268 | 3/1967 | Laing | 34/96 X |

OTHER PUBLICATIONS

Supplement to Sunday Star-News, 12/22/74, p. 12 — item b, dryer.
Merchandising Week, 7/10/72, p. 9 — Schick styler top right.

Primary Examiner—Joel Stearman
Assistant Examiner—Louis S. Zarfes
Attorney, Agent, or Firm—Richard A. Wise

[57] CLAIM

The ornamental design for a portable hair dryer, as shown.

DESCRIPTION

FIG. 1 is a perspective view of a portable hair dryer showing our new design;
FIG. 2 is a right end elevational view;
FIG. 3 is a left end elevational view;
FIG. 4 is a front elevational view;
FIG. 5 is a rear elevational view;
FIG. 6 is a bottom plan view; and
FIG. 7 is a top plan view.

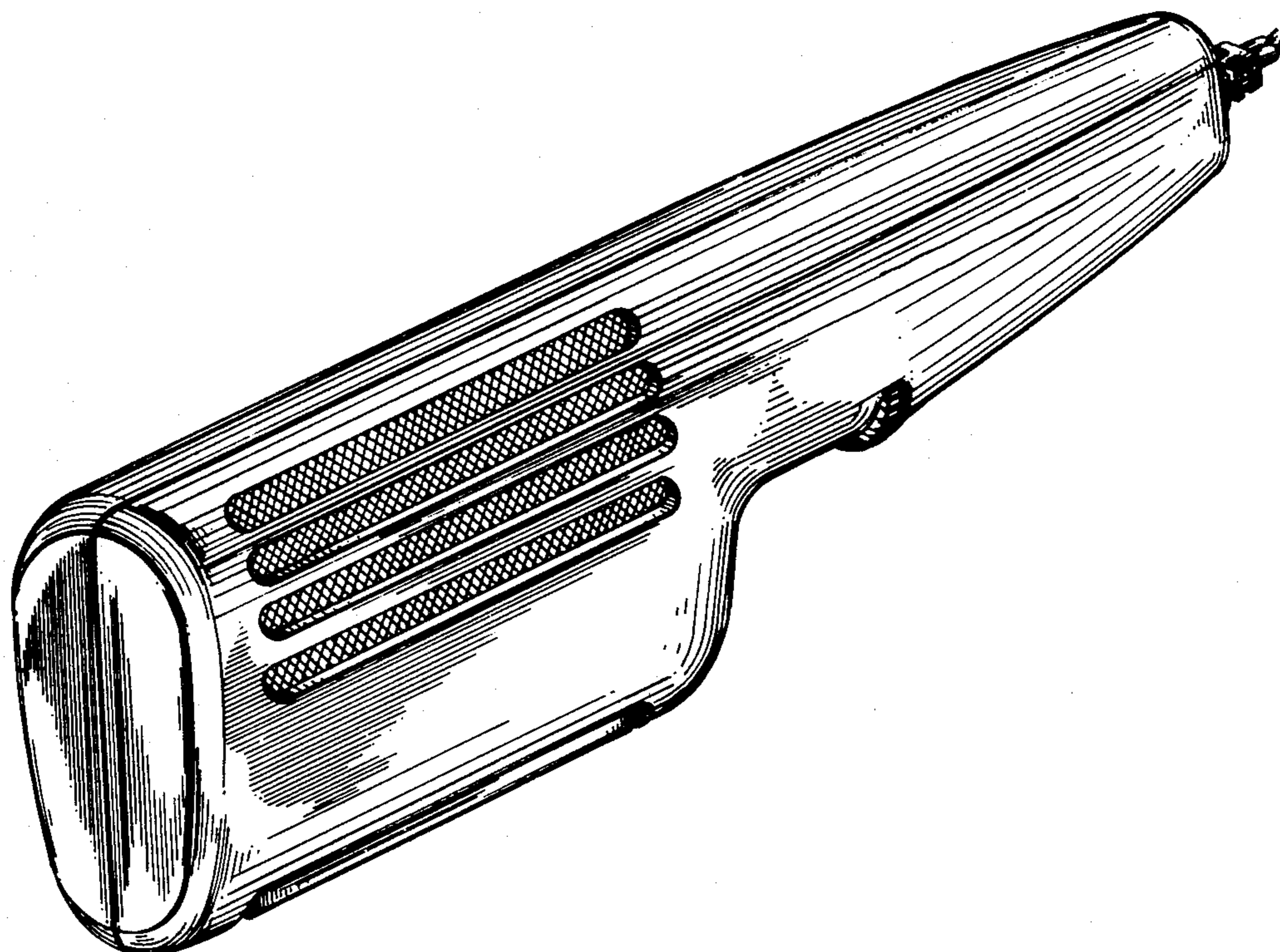


Fig. 1

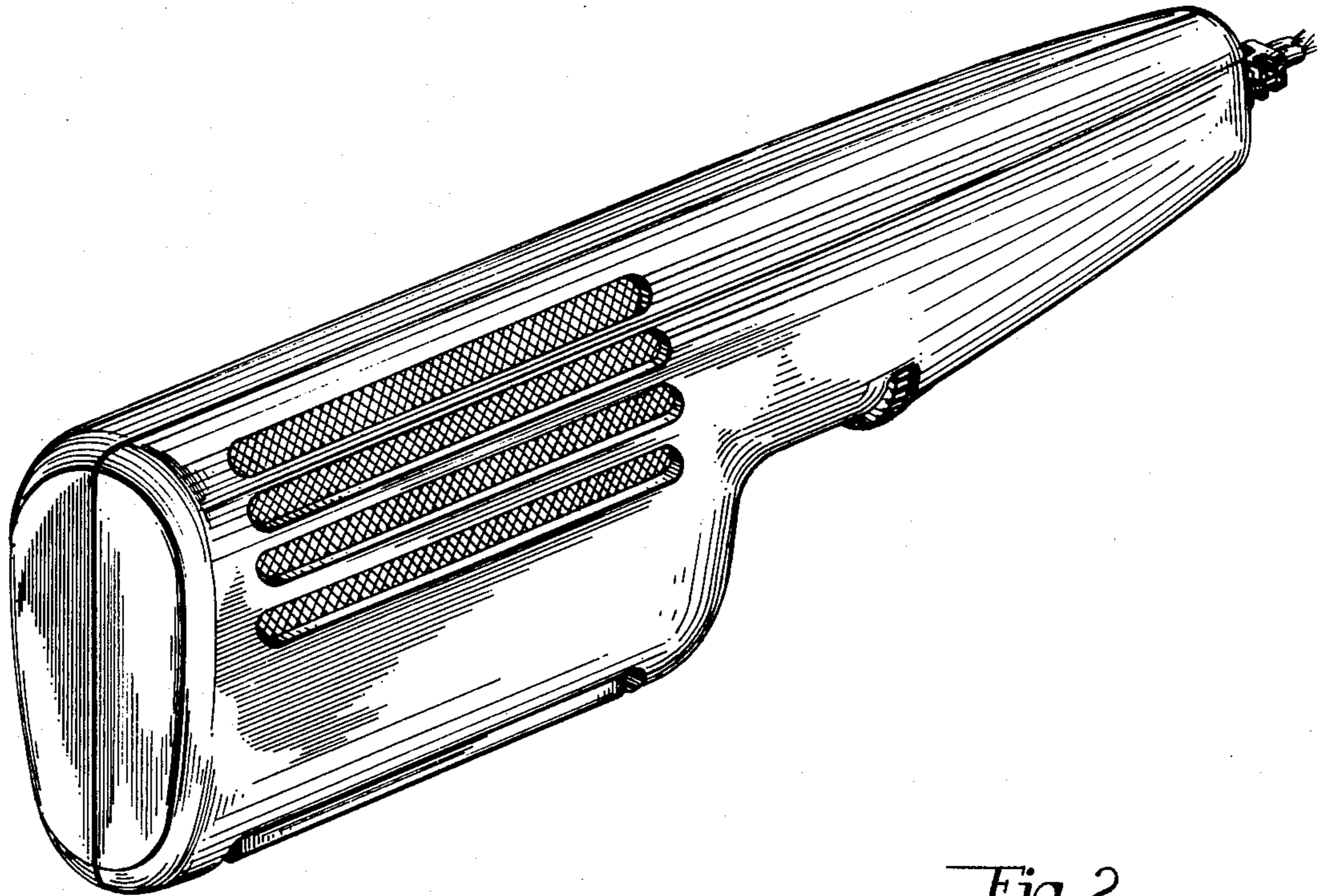


Fig. 2

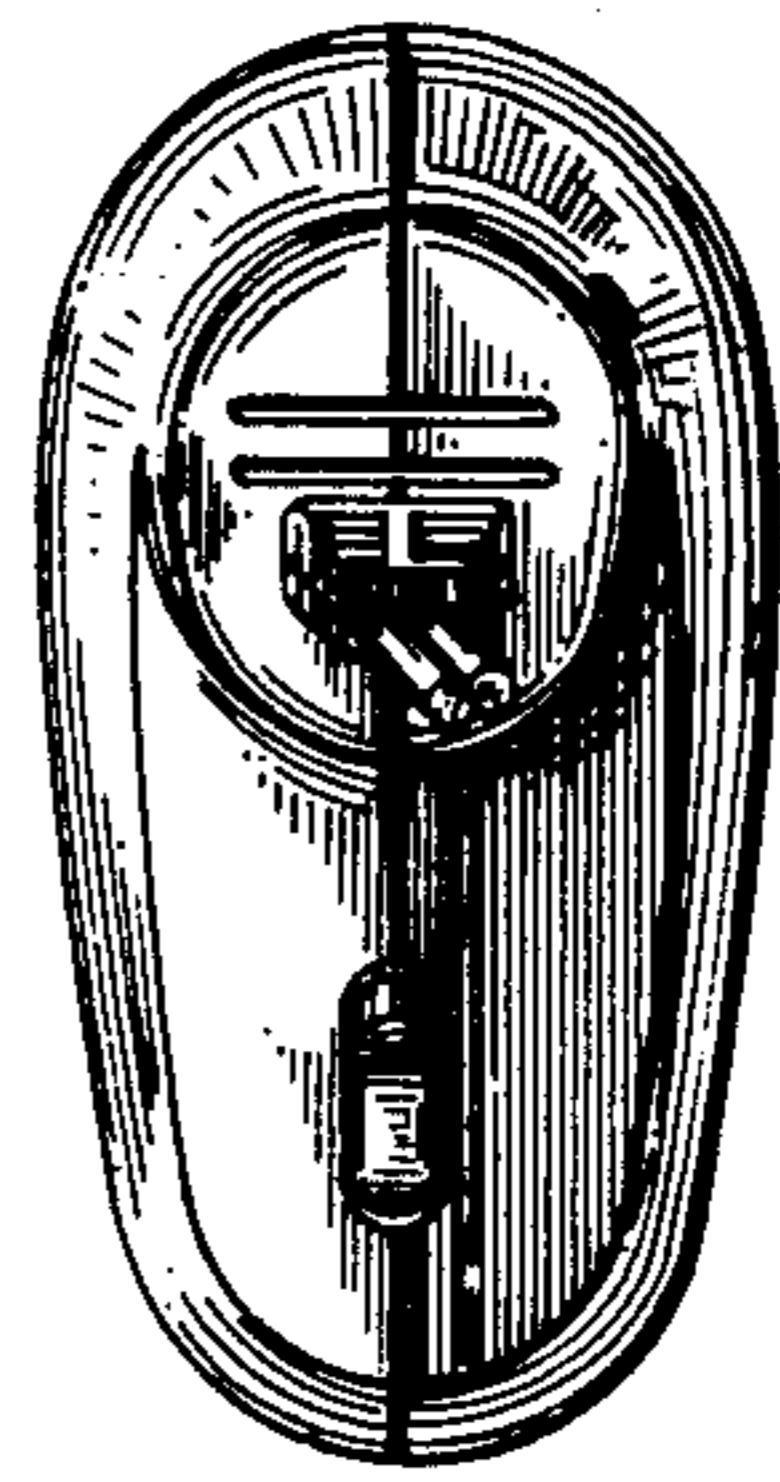


Fig. 3

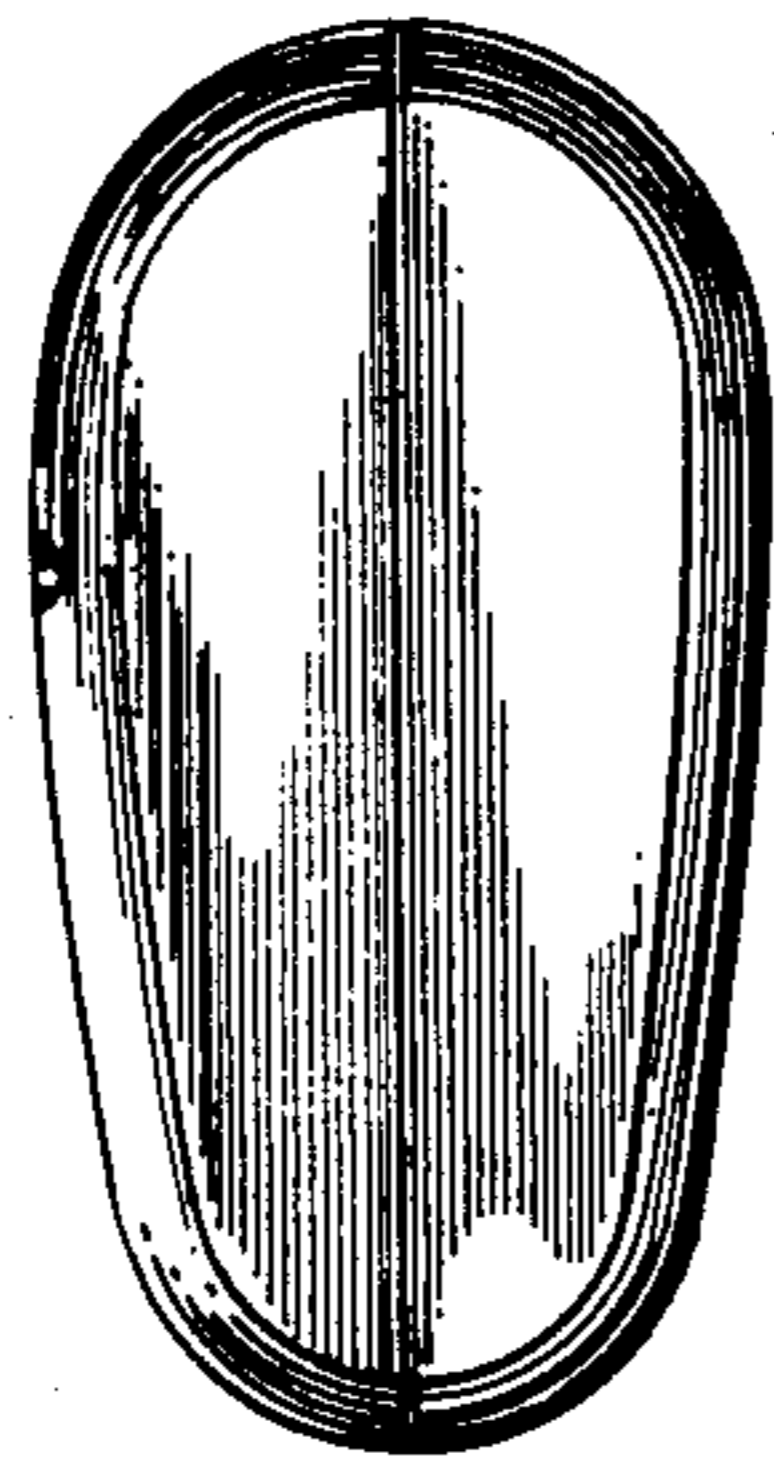


Fig. 4

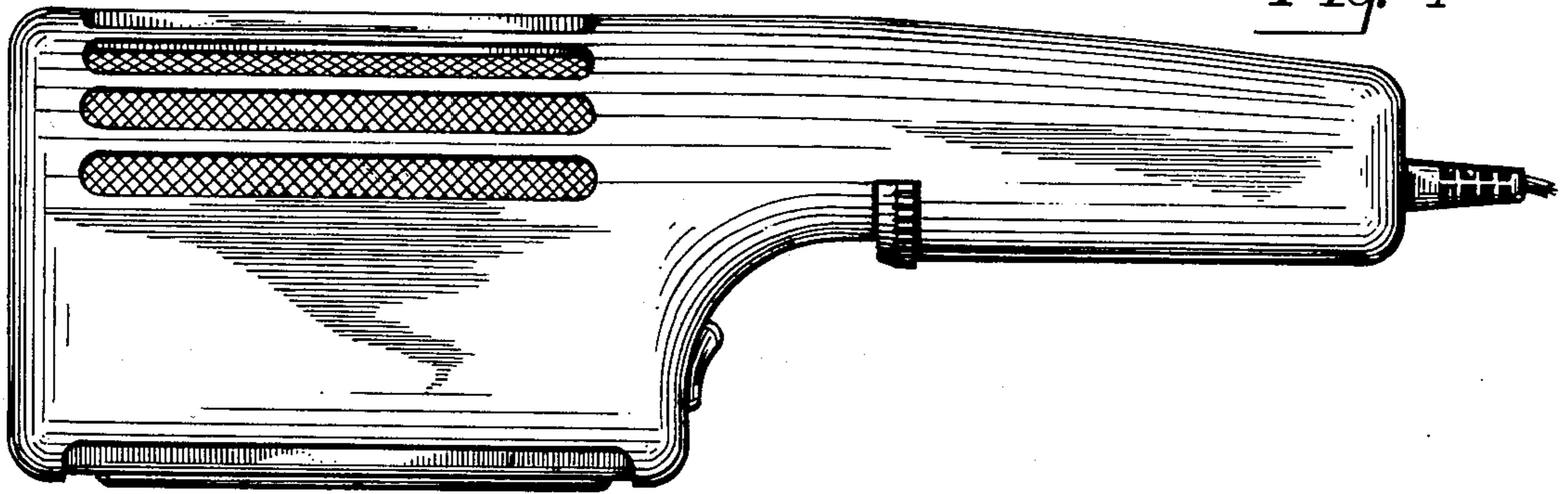


Fig. 5

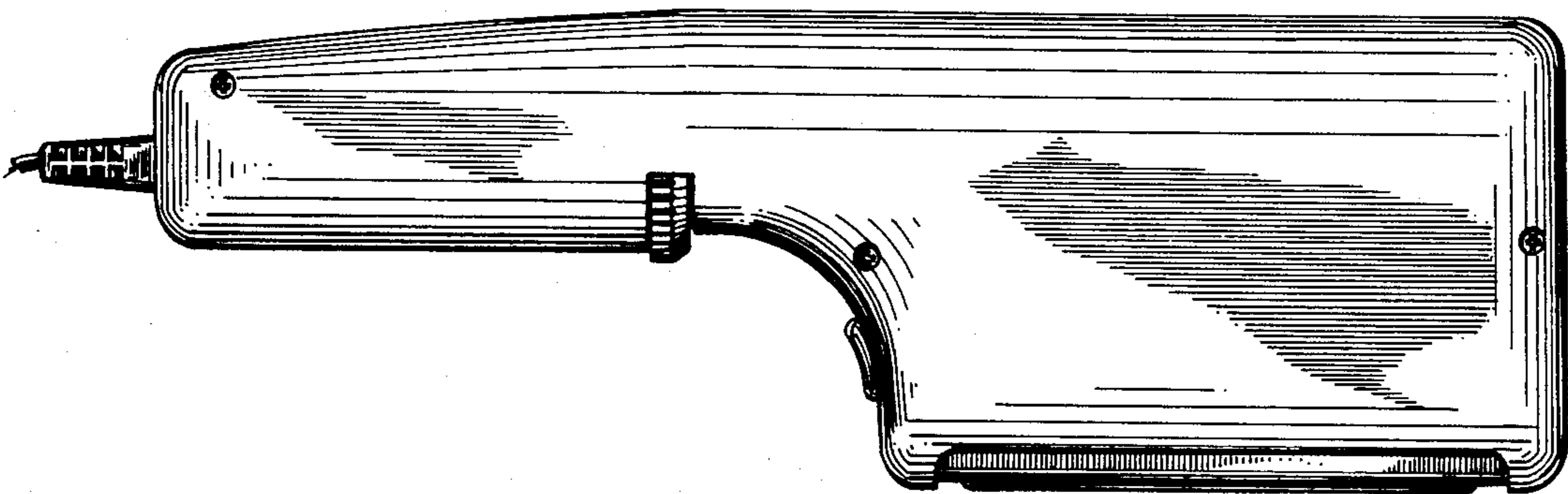


Fig. 6

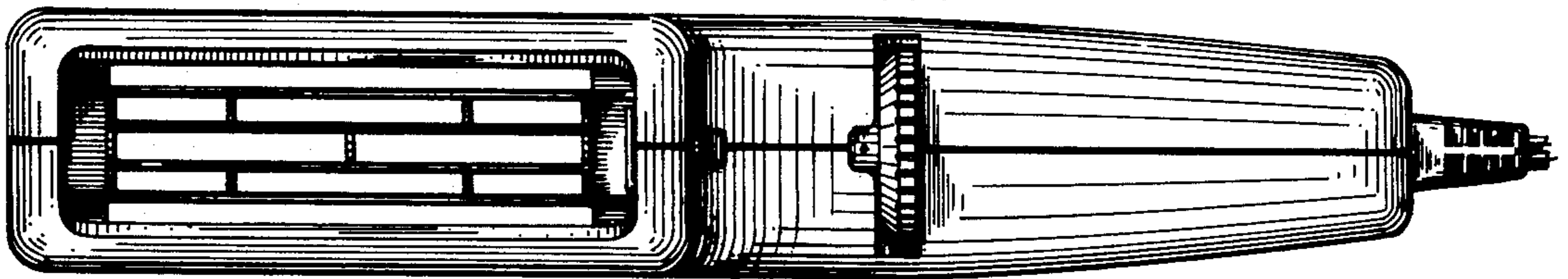


Fig. 7

