

[54] SMOKING PIPE

2,933,091 4/1960 Ostergard ..... D27/3 X

[76] Inventor: Charles W. Frost, 1788A Spanish Trail, Columbia, S.C. 29210

FOREIGN PATENT DOCUMENTS

503,793 7/1930 Germany ..... 131/178

[\*\*] Term: 14 Years

Primary Examiner—Joel Stearman  
Assistant Examiner—Louis S. Zarfes  
Attorney, Agent, or Firm—John S. Roberts, Jr.

[21] Appl. No.: 637,045

[22] Filed: Dec. 2, 1975

[57] CLAIM

[51] Int. Cl. .... D27—02

The ornamental design for a smoking pipe, as shown.

[52] U.S. Cl. .... D27/3

DESCRIPTION

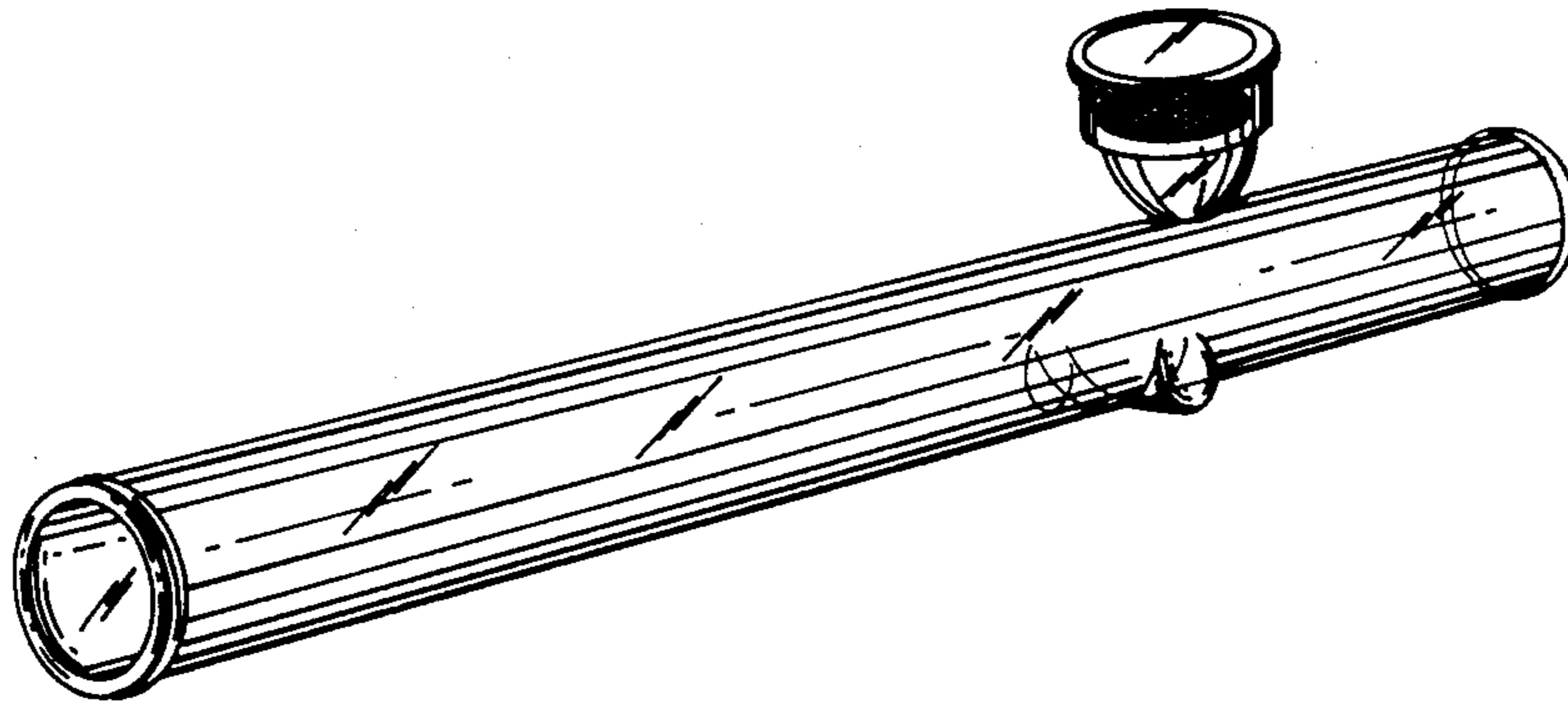
[58] Field of Search ..... D27/2-5,  
D27/7, 51; D32/1 R; 131/170 R, 170 A, 173,  
171 R, 171 A, 178, 186, 187, 191, 200

FIG. 1 is a perspective view of a smoking pipe showing my new design;  
FIG. 2 is a right side elevational view thereof;  
FIG. 3 is a front elevational view thereof;  
FIG. 4 is a top plan view thereof;  
FIG. 5 is a bottom plan view thereof; and  
FIG. 6 is a longitudinal sectional view thereof.

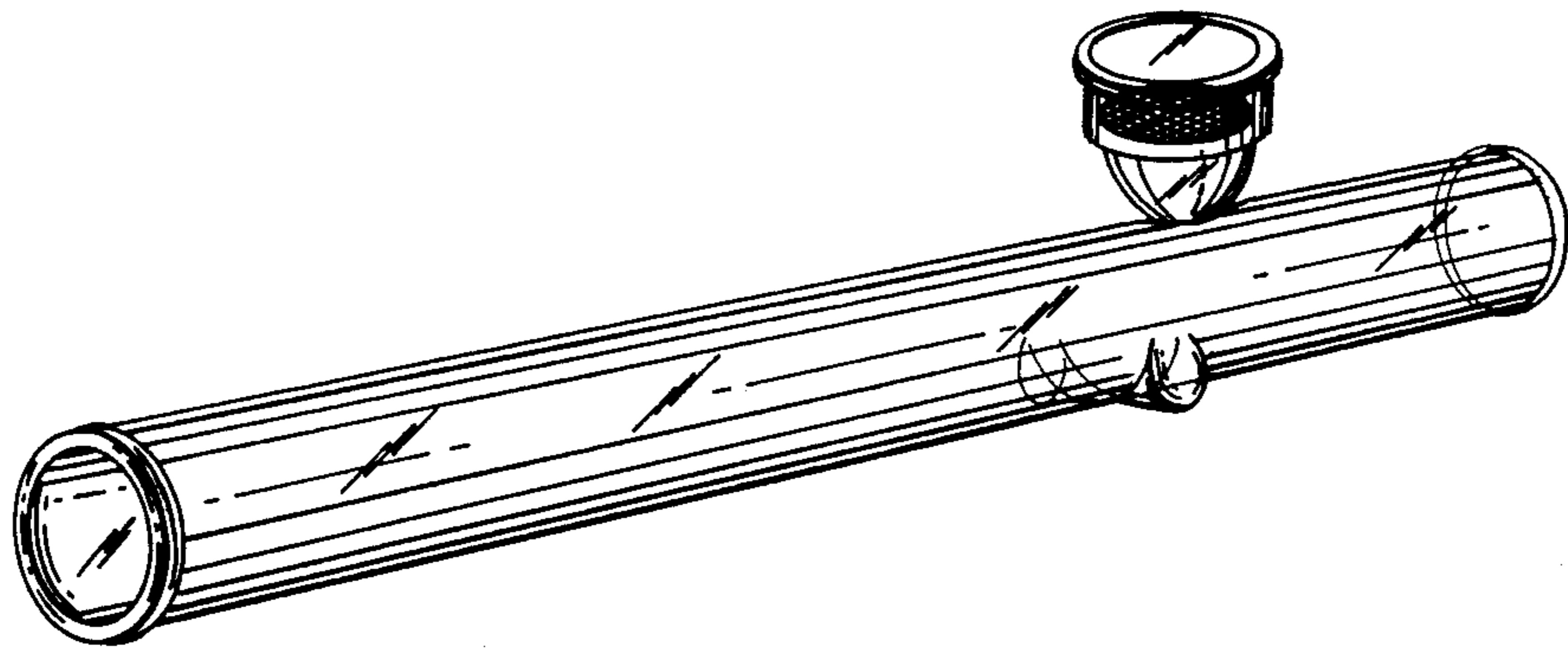
[56] References Cited

U.S. PATENT DOCUMENTS

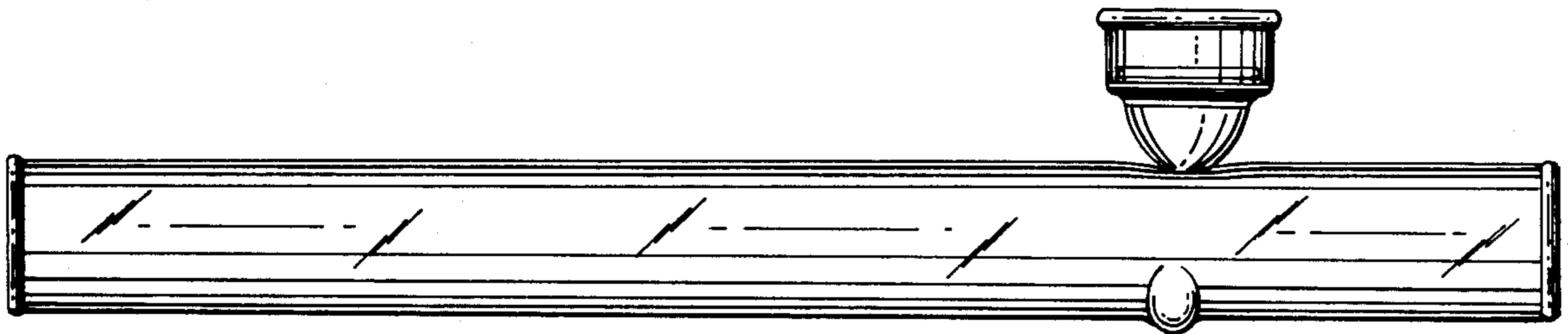
648,891 5/1900 Abbot ..... 131/178 X  
2,222,657 11/1940 Gandy ..... 131/186 X



*FIG. 1*



*FIG. 2*



*FIG. 3*

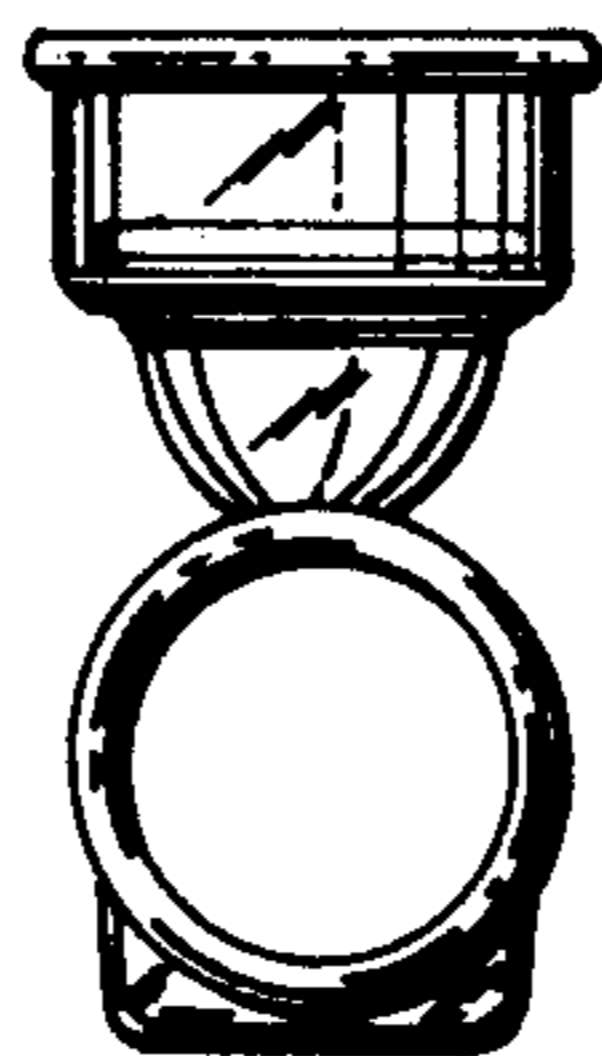


FIG. 4

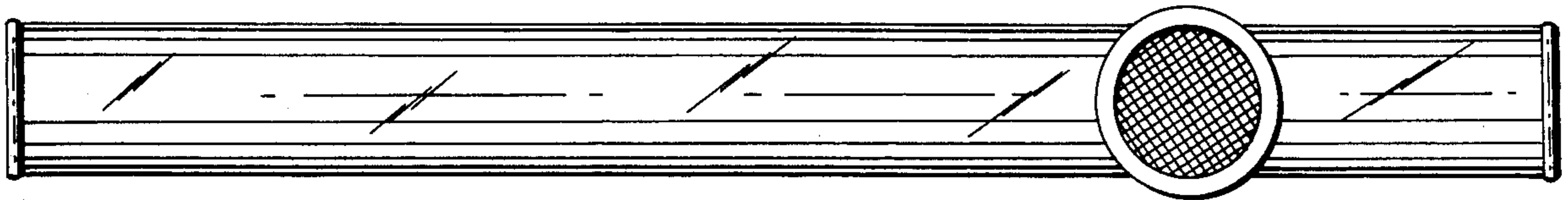


FIG. 5

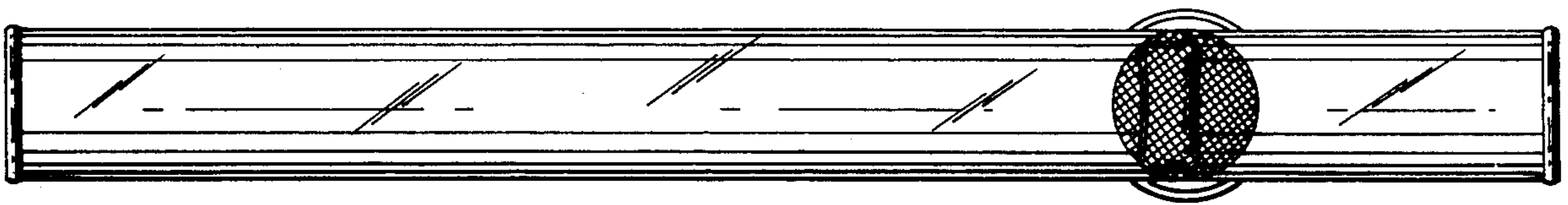


FIG. 6

