

[54] WINDOW COMPONENT EXTRUSION

[76] Inventor: **Raymond Dallaire**, P.O. Box 220,
Levis, Quebec, Canada

[**] Term: **14 Years**

[21] Appl. No.: **673,432**

[22] Filed: **Apr. 5, 1976**

[30] Foreign Application Priority Data

Oct. 10, 1975 Canada 10-10-75-6

[51] Int. Cl. **D25-01**

[52] U.S. Cl. **D25/74**

[58] Field of Search 49/413, 504, DIG. 2;
52/716, 720-739; D25/2, 47, 44, 52, 60, 61, 73,
74, 75, 76, 77, 78, 79

[56]

References Cited

U.S. PATENT DOCUMENTS

D. 226,904	5/1973	Dallaire et al.	D25/76
2,917,788	12/1959	Kunkel	49/DIG. 2
3,383,801	5/1968	Dallaire	49/413 X
3,468,064	9/1969	Frleigh et al.	49/413
3,483,658	12/1969	Dallaire	49/413 X
3,636,661	1/1972	Strawsine	49/413
3,731,430	5/1973	Dallaire	49/413 X

Primary Examiner—A. Hugo Word
Attorney, Agent, or Firm—John W. Malley

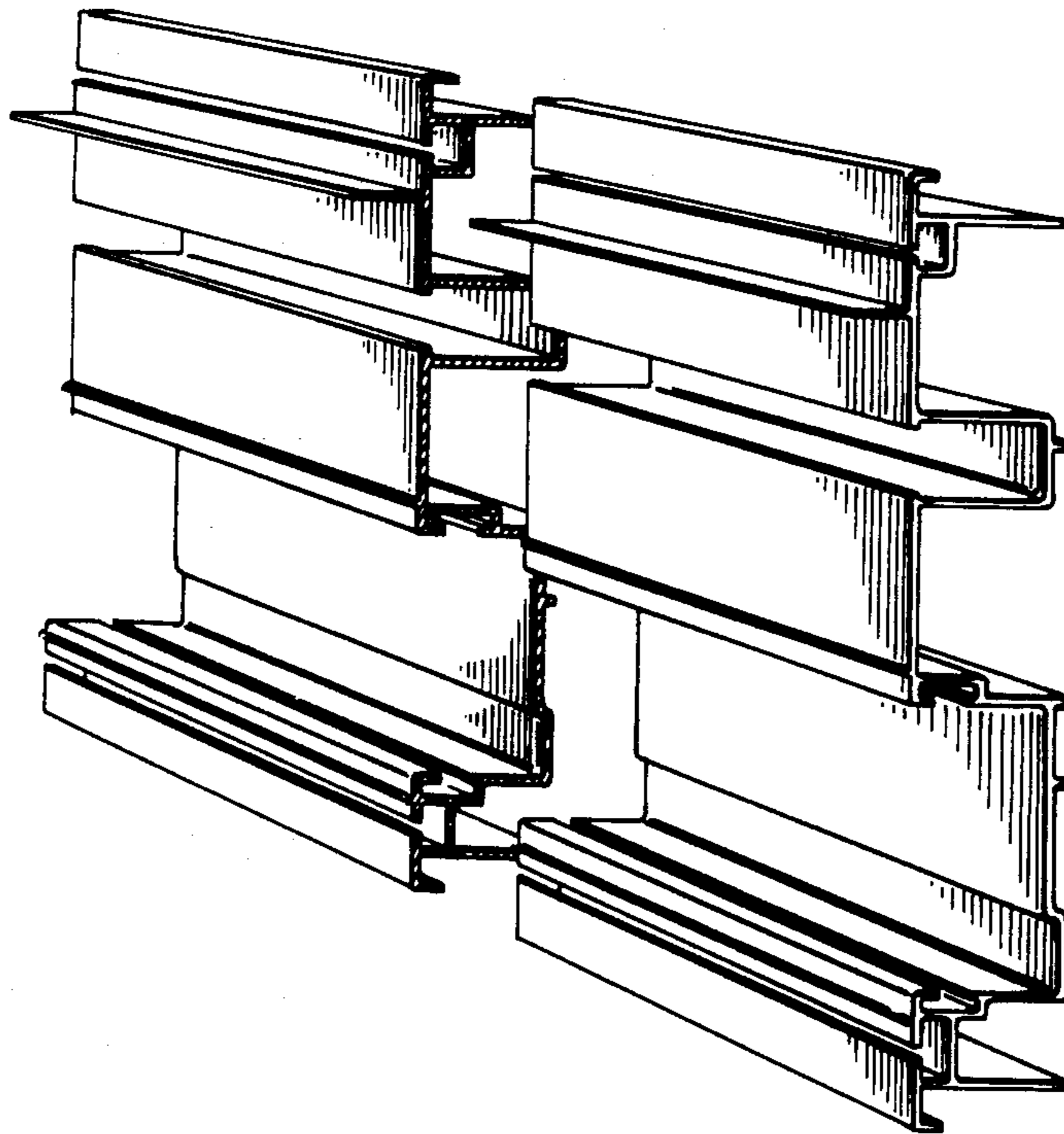
[57]

CLAIM

The ornamental design for a window component extrusion, as shown.

DESCRIPTION

FIG. 1 is a broken perspective of one side of the extrusion, and
FIG. 2 is a corresponding broken perspective from the opposite side of the extrusion compared to FIG. 1.



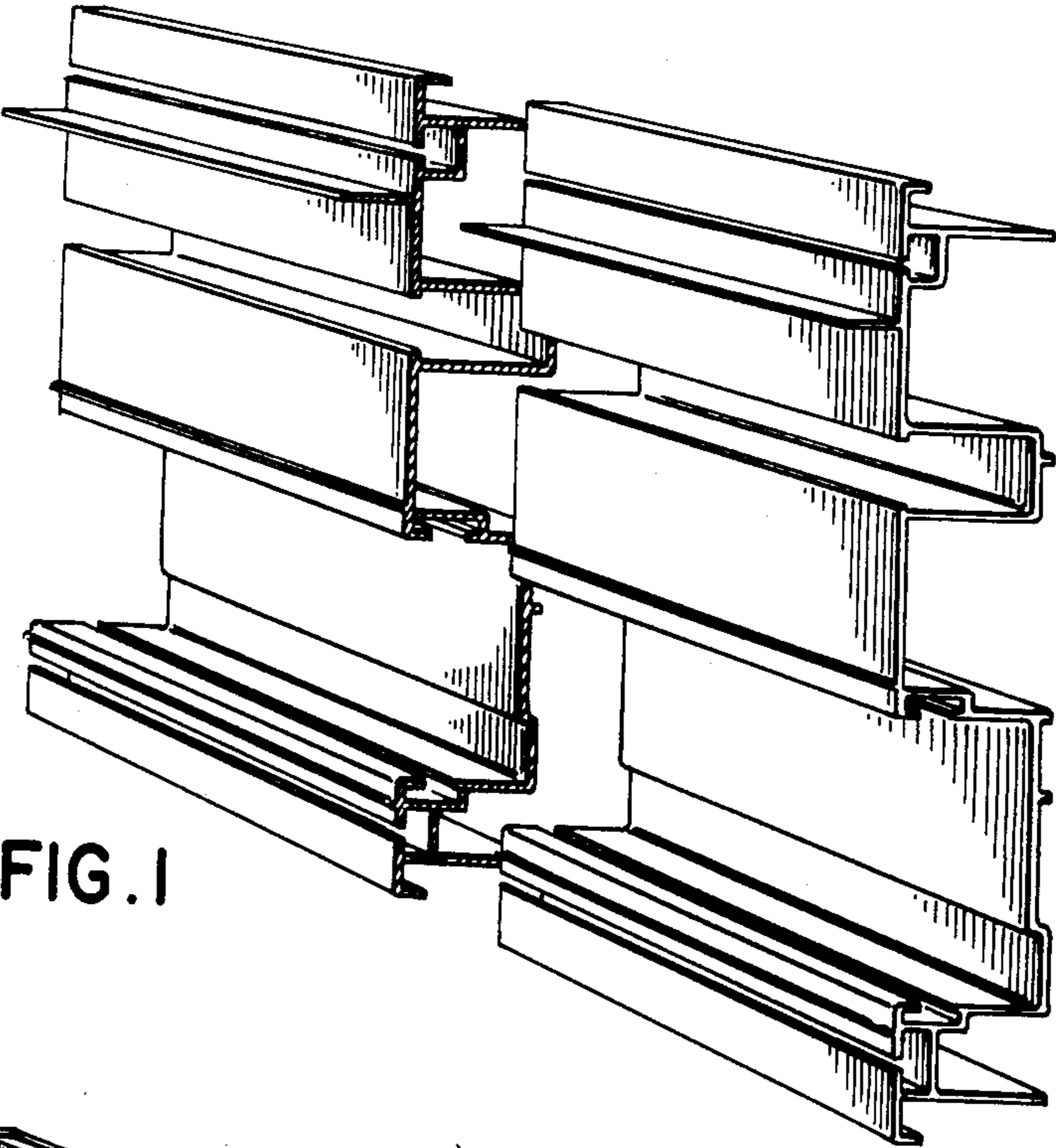


FIG. 1

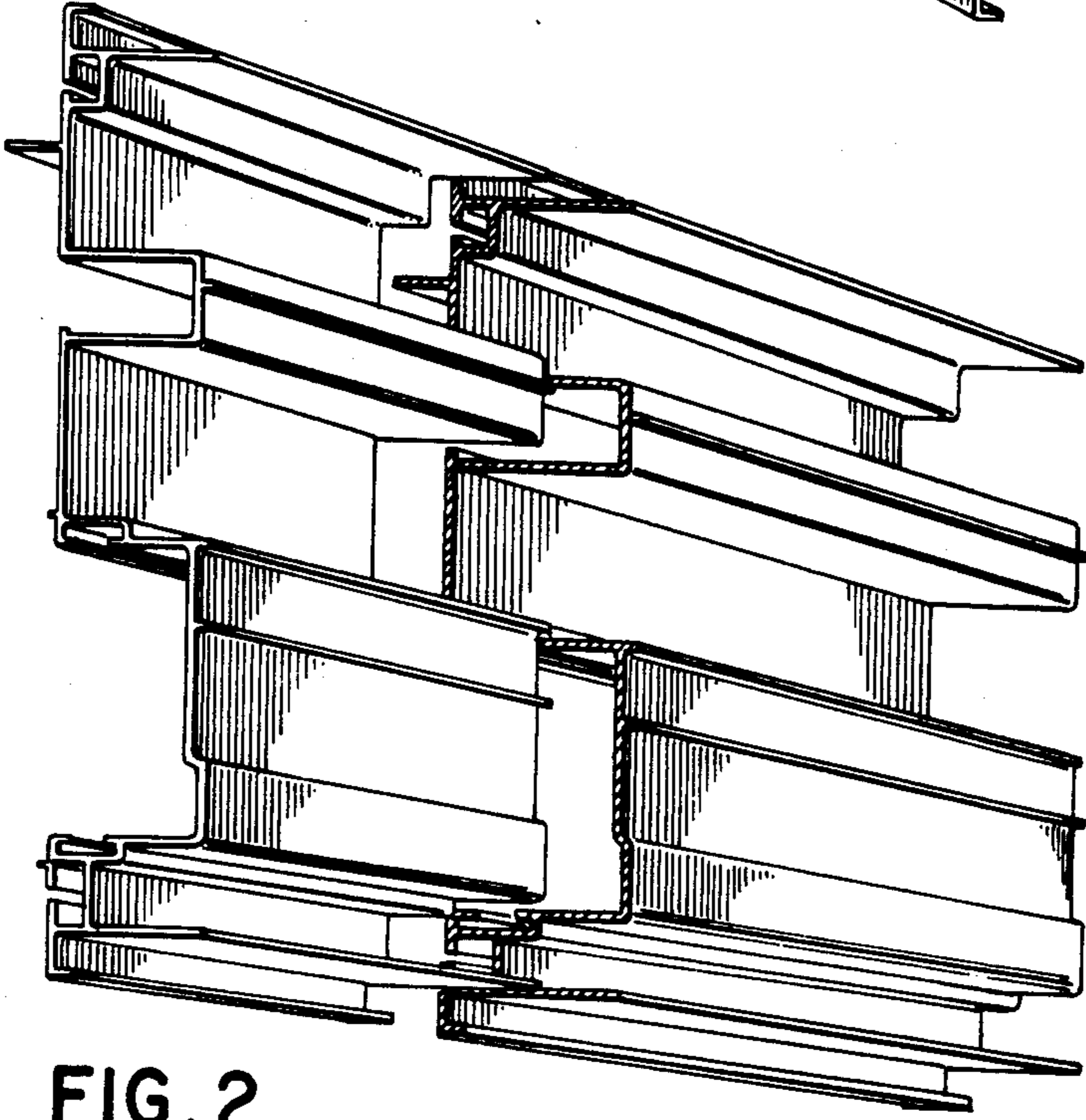


FIG. 2