

[54] PULMONARY DIAGNOSTIC INSTRUMENT UNIT

[75] Inventors: Michael V. Ward, Creve Coeur; Allen D. Penniman, Jr., Glendale; Richard E. Pikul, De Soto, all of Mo.

[73] Assignee: Puritan-Bennett Corporation, St. Louis, Mo.

[**] Term: 14 Years

[21] Appl. No.: 599,896

[22] Filed: July 28, 1975

[51] Int. Cl. D24-02

[52] U.S. Cl. D24/17

[58] Field of Search 128/2.08; D12/27, 28; D83/1 F; D24/17

[56] References Cited

U.S. PATENT DOCUMENTS

D. 224,278	7/1972	Van den Broek	D83/1 F
D. 230,211	1/1974	Fuller	D83/1 F
D. 238,905	2/1976	Sokol	D83/1 F
3,742,939	7/1973	Sayer	128/2.08
3,808,706	5/1974	Mosley et al.	128/2.08
3,961,624	6/1976	Weigl	128/2.08

Primary Examiner—Bernard Ansher

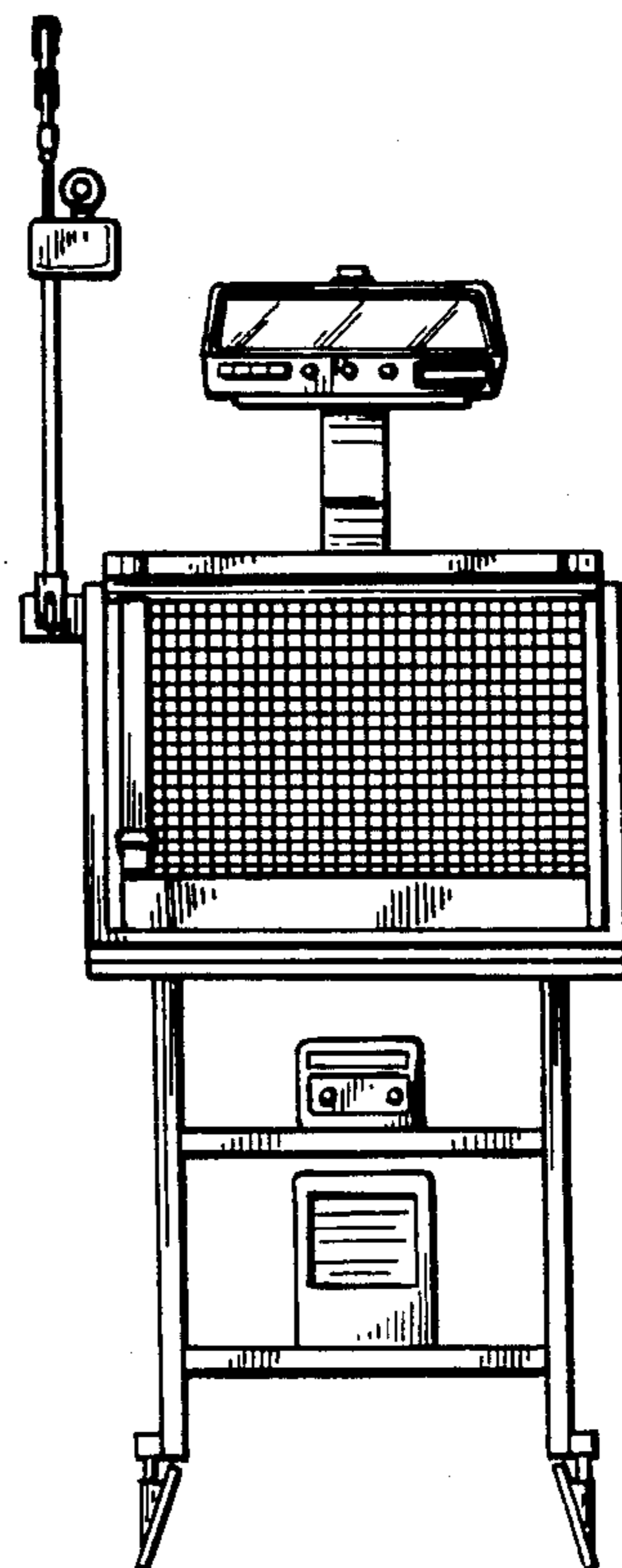
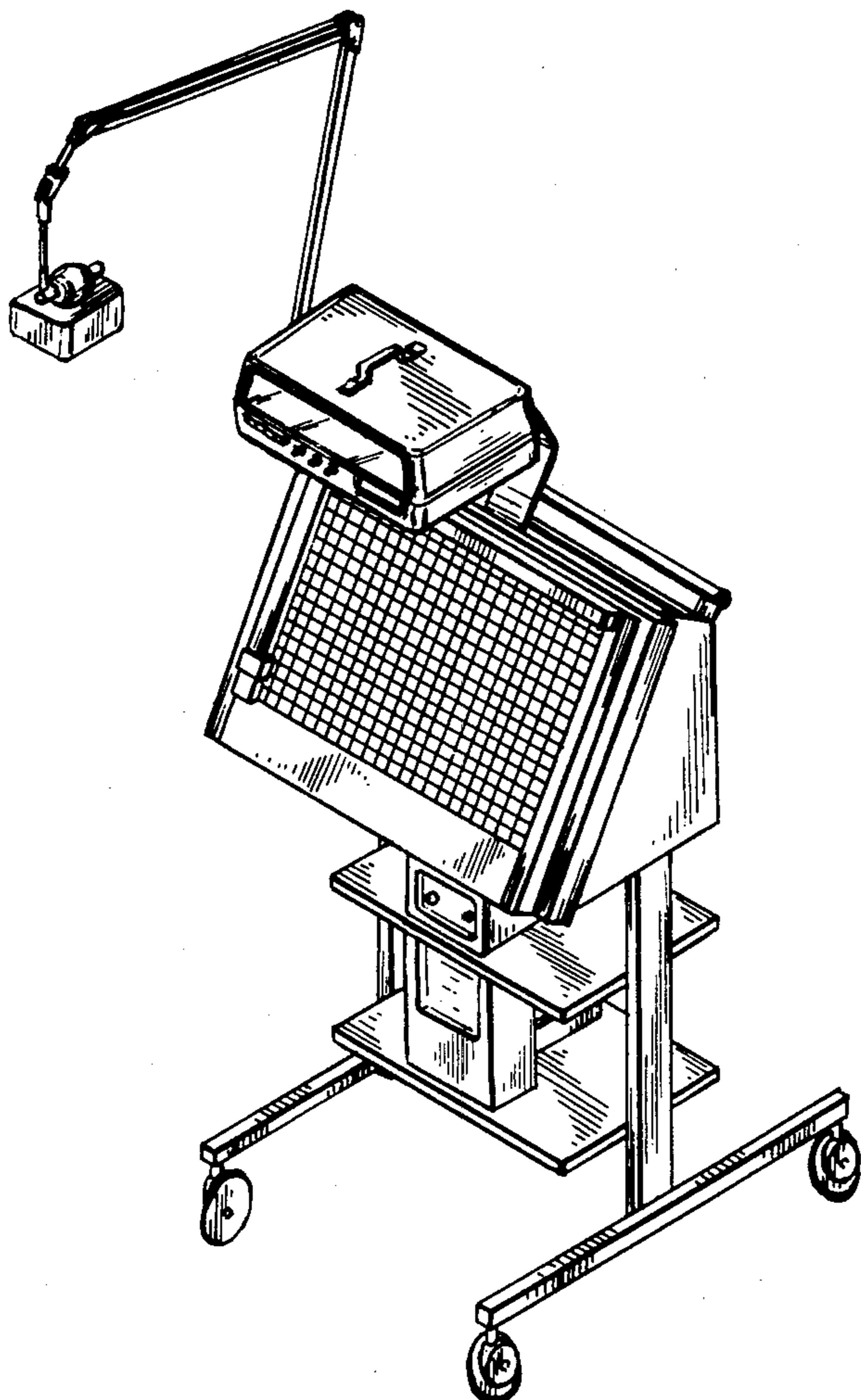
Attorney, Agent, or Firm—Paul M. Denk

[57] CLAIM

The ornamental design for a pulmonary diagnostic instrument unit, as shown and described.

DESCRIPTION

FIG. 1 is a front perspective view of a pulmonary diagnostic instrument unit showing our new design; FIG. 2 is a front elevation thereof; FIG. 3 is a side elevation thereof; FIG. 4 is a rear elevation thereof; FIG. 5 is a front elevation with the top mounted pulmonary diagnostic instrument removed for clarity of illustration; FIG. 6 is a perspective view of the top mounted pulmonary diagnostic instrument shown separately for clarity of illustration; FIG. 7 is a front elevation thereof; FIG. 8 is a top plan view thereof; FIG. 9 is a right side elevation thereof; FIG. 10 is a rear elevation thereof; FIG. 11 is a front perspective of a modified embodiment of the pulmonary diagnostic instrument illustrated in FIG. 6; FIG. 12 is a front elevation thereof; FIG. 13 is a left side elevation thereof; and FIG. 14 is a rear elevation thereof.



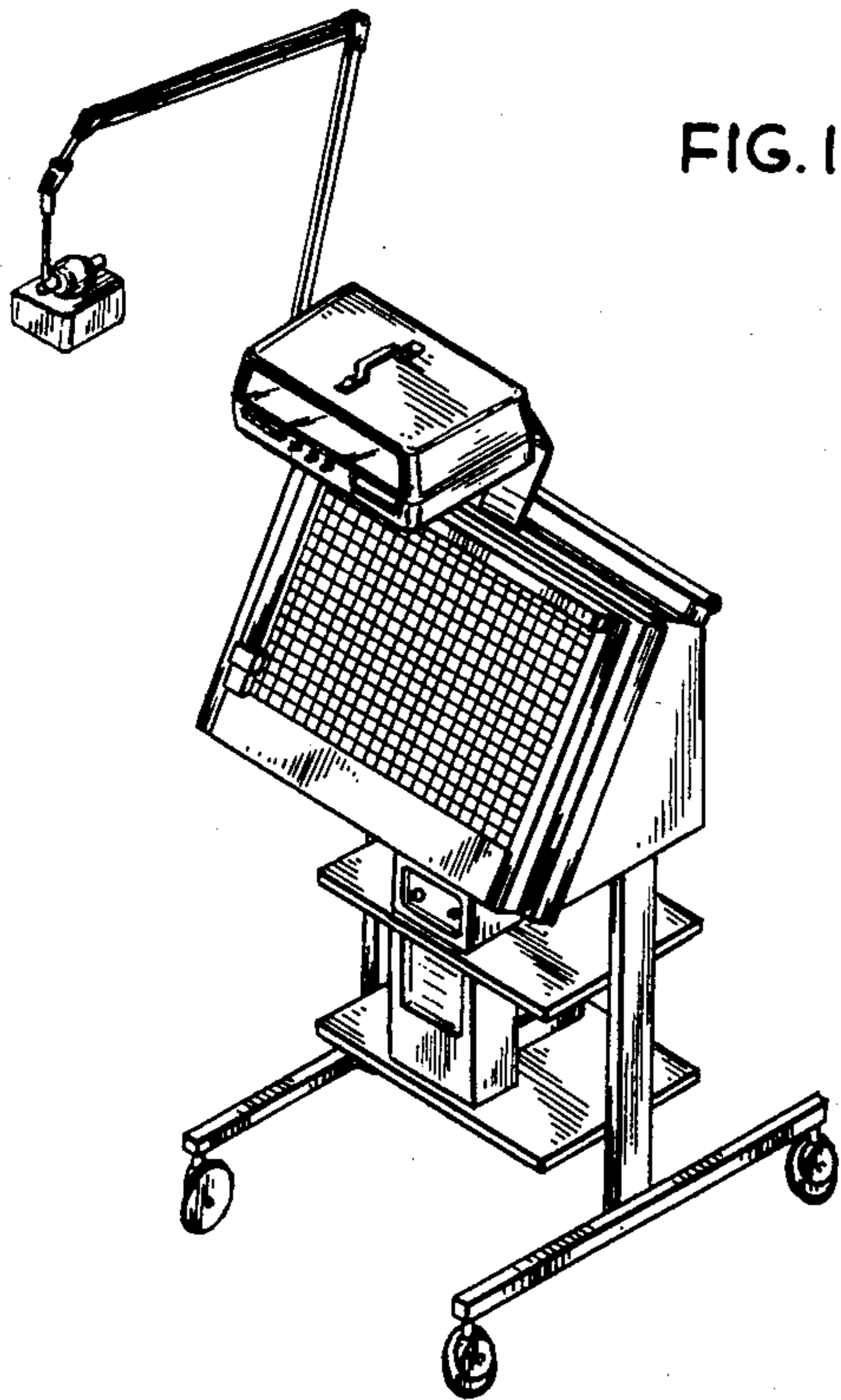


FIG. 1

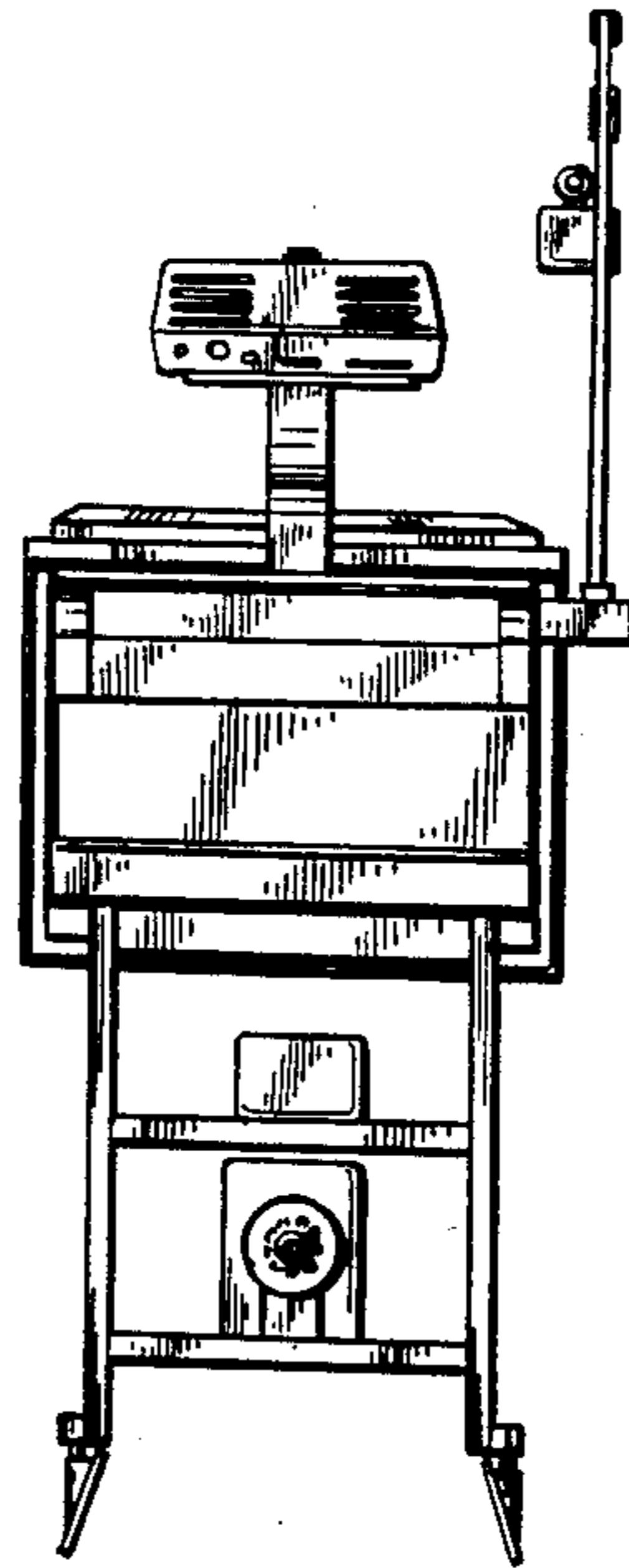


FIG. 4

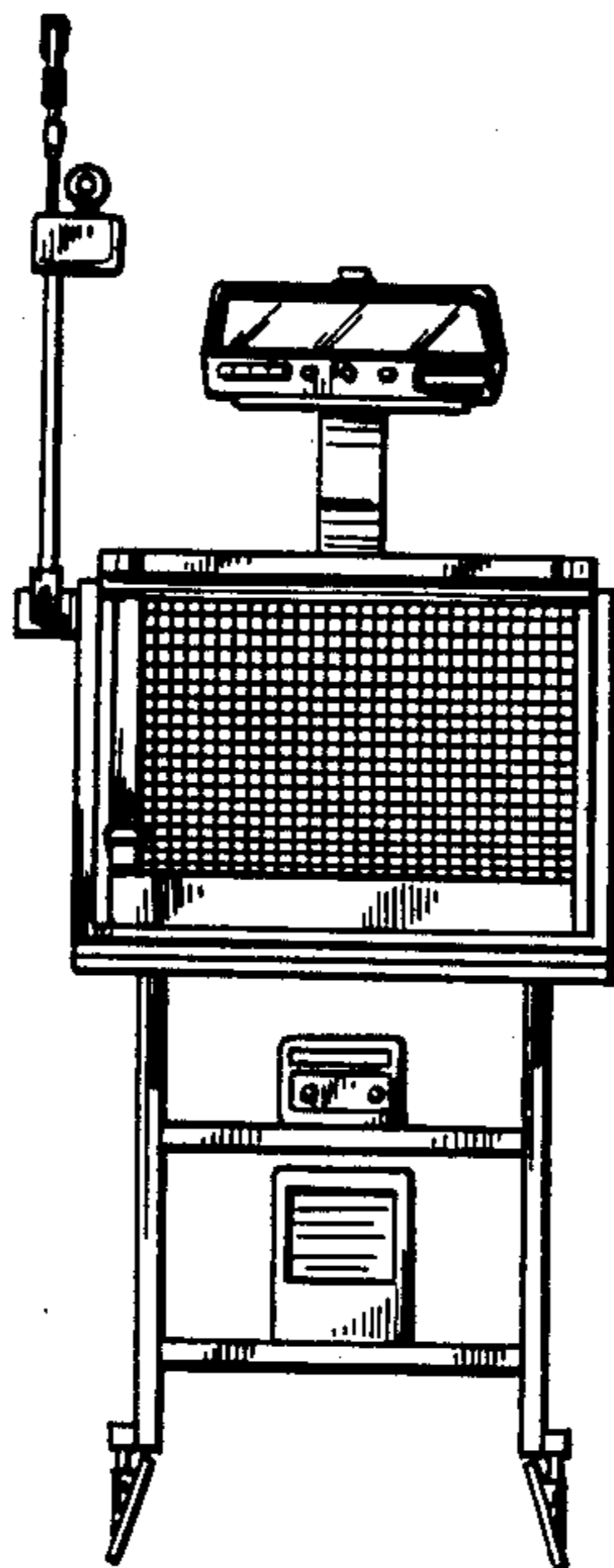


FIG. 2

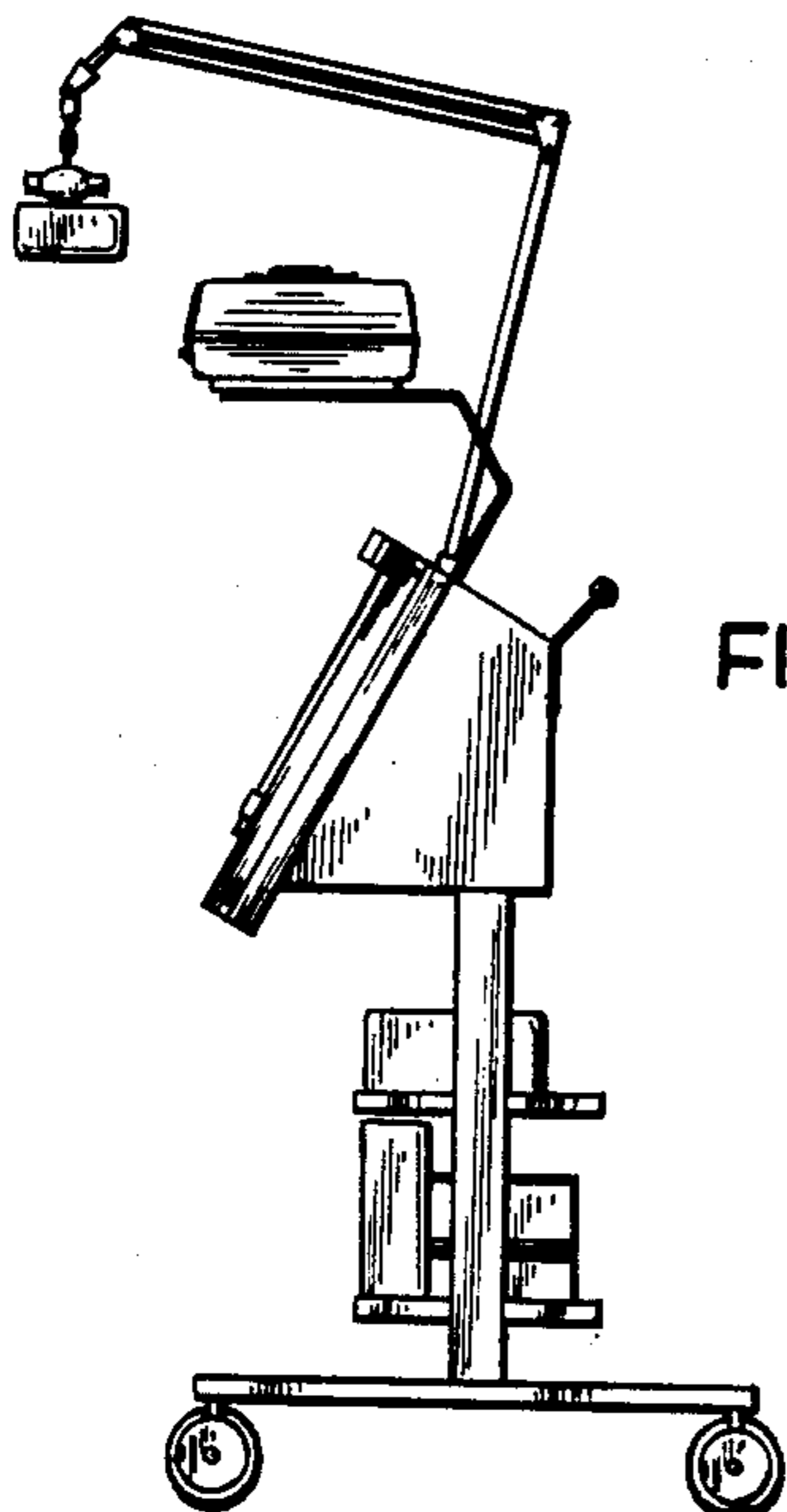


FIG. 3

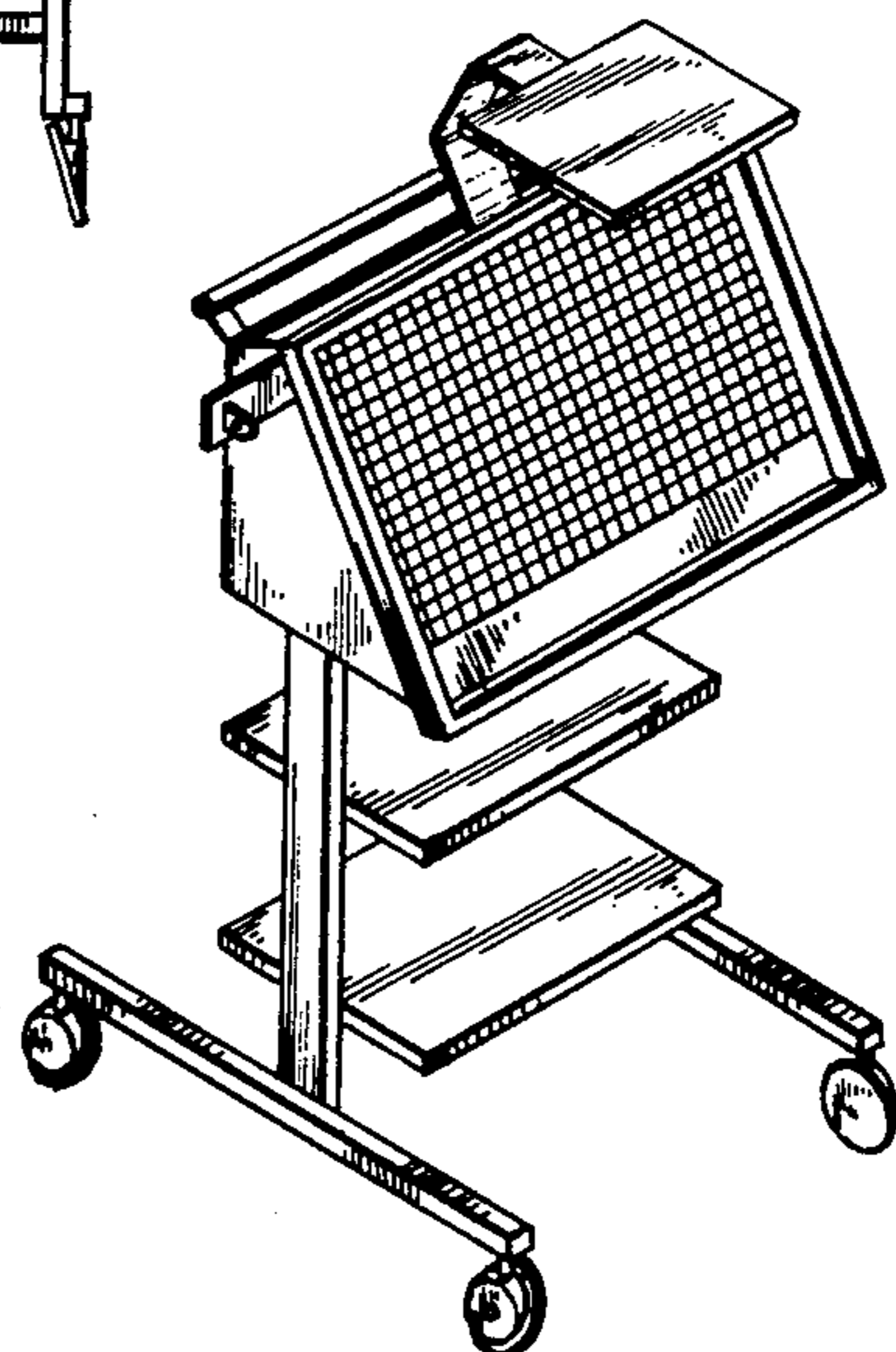


FIG. 5

FIG. 6

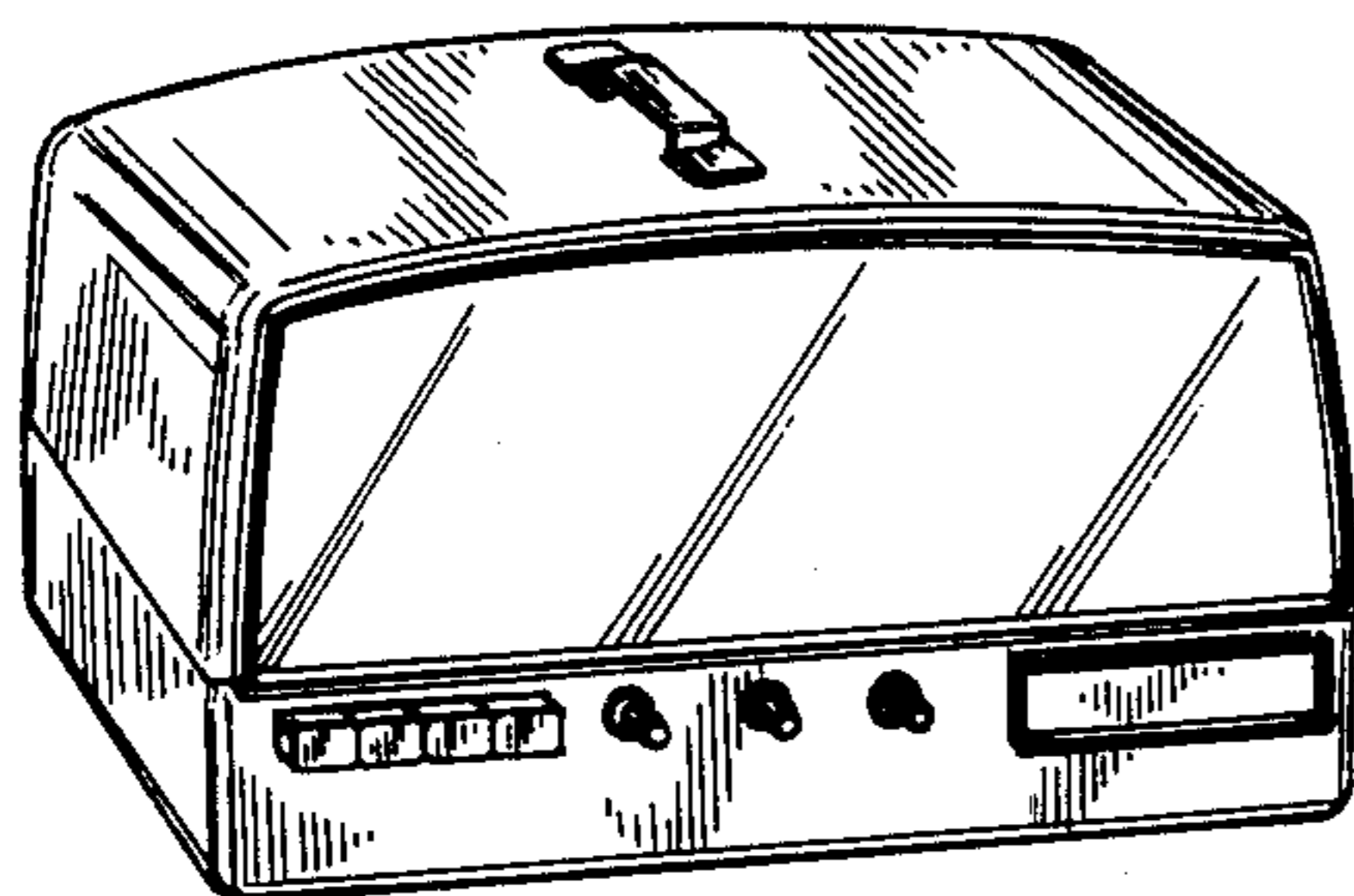


FIG. 7

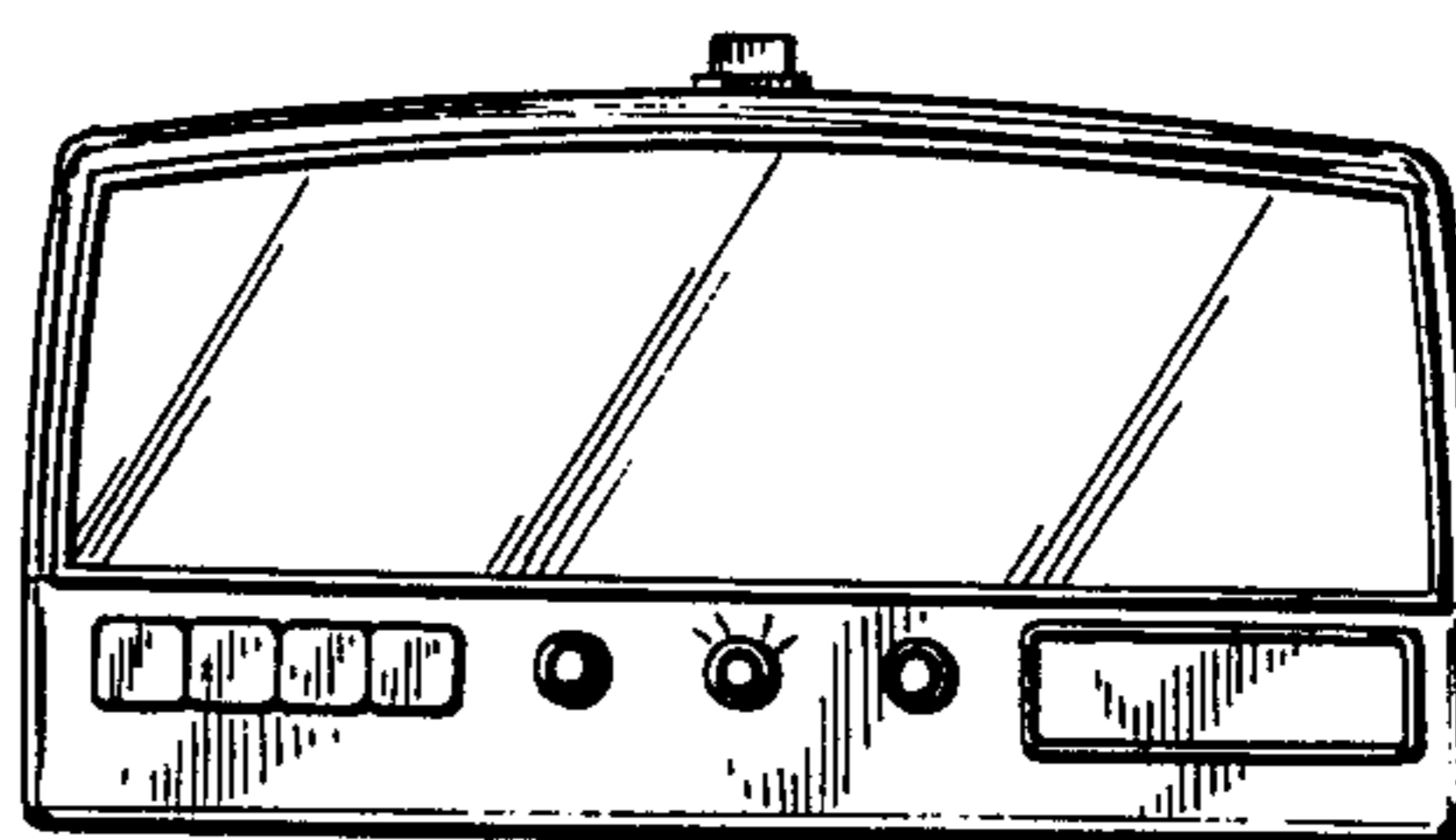


FIG. 8

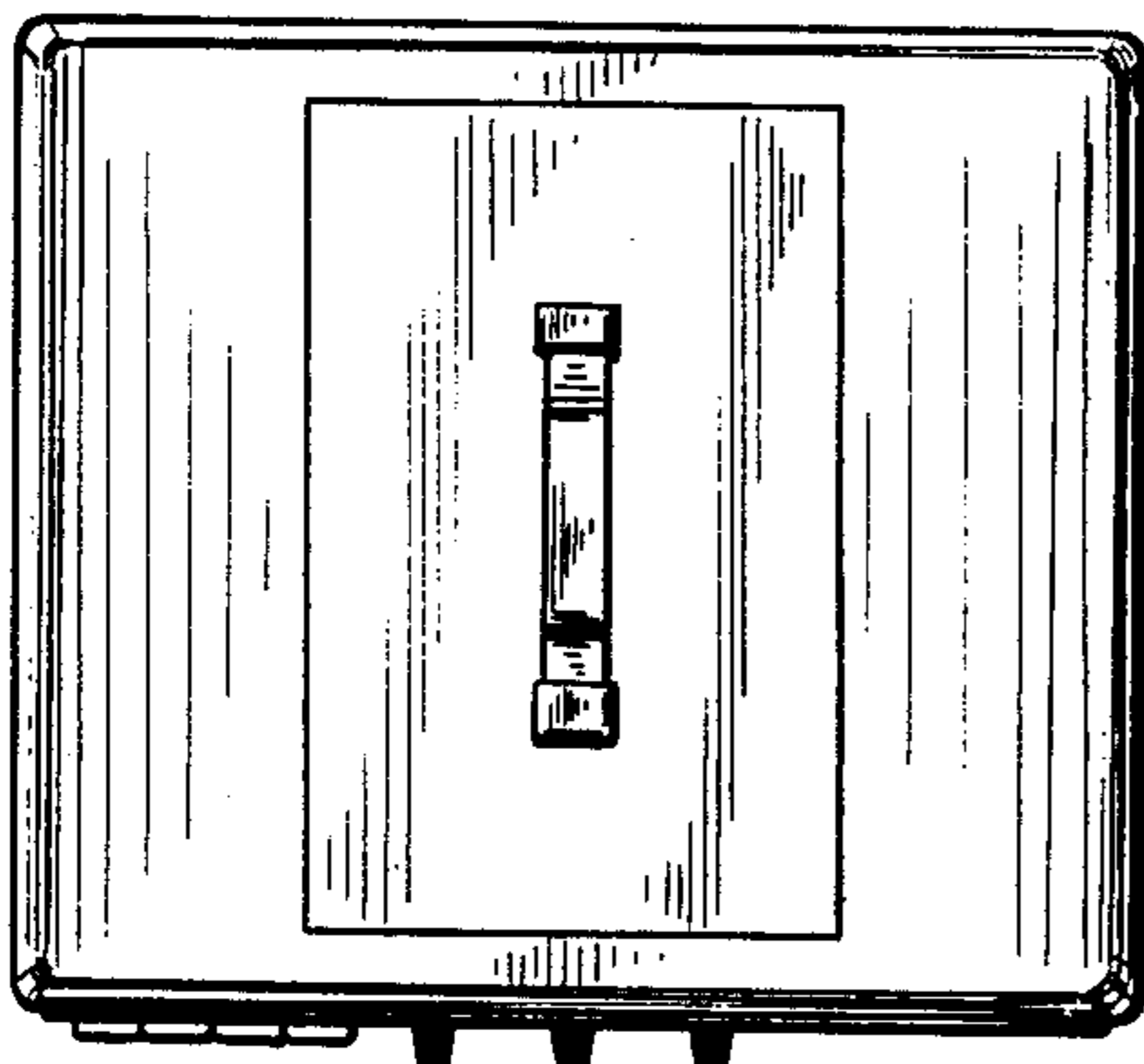


FIG. 9

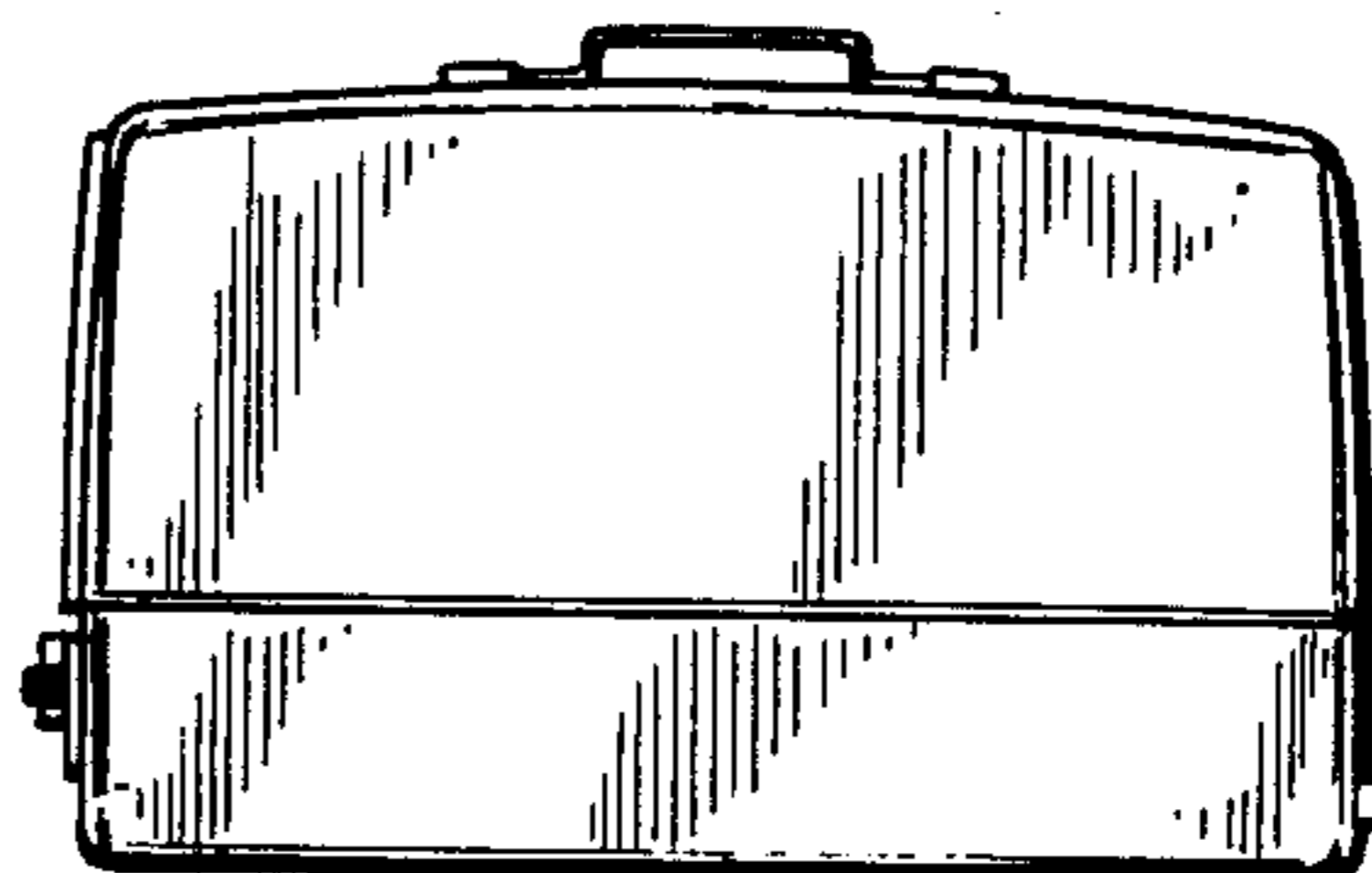


FIG. 10

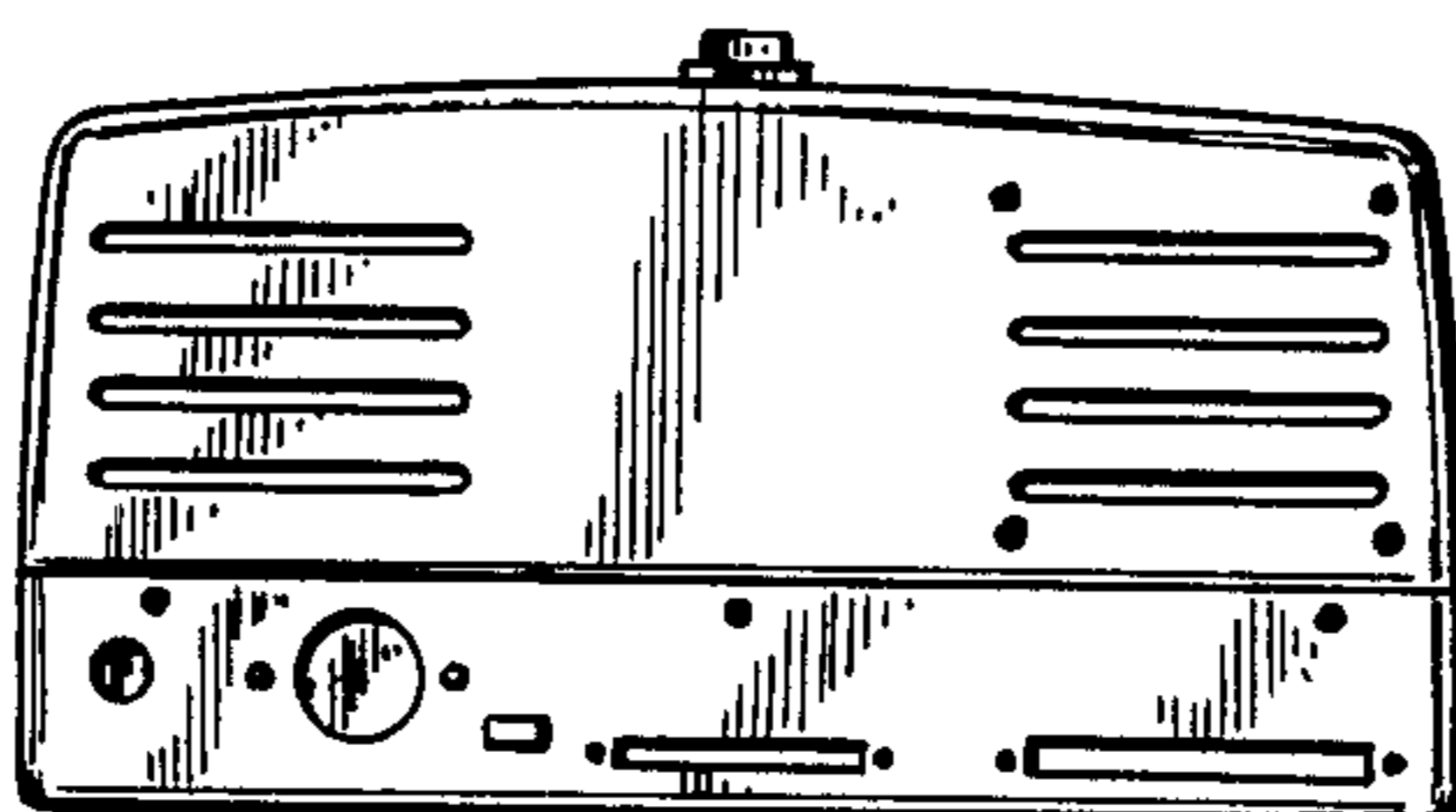


FIG. 11

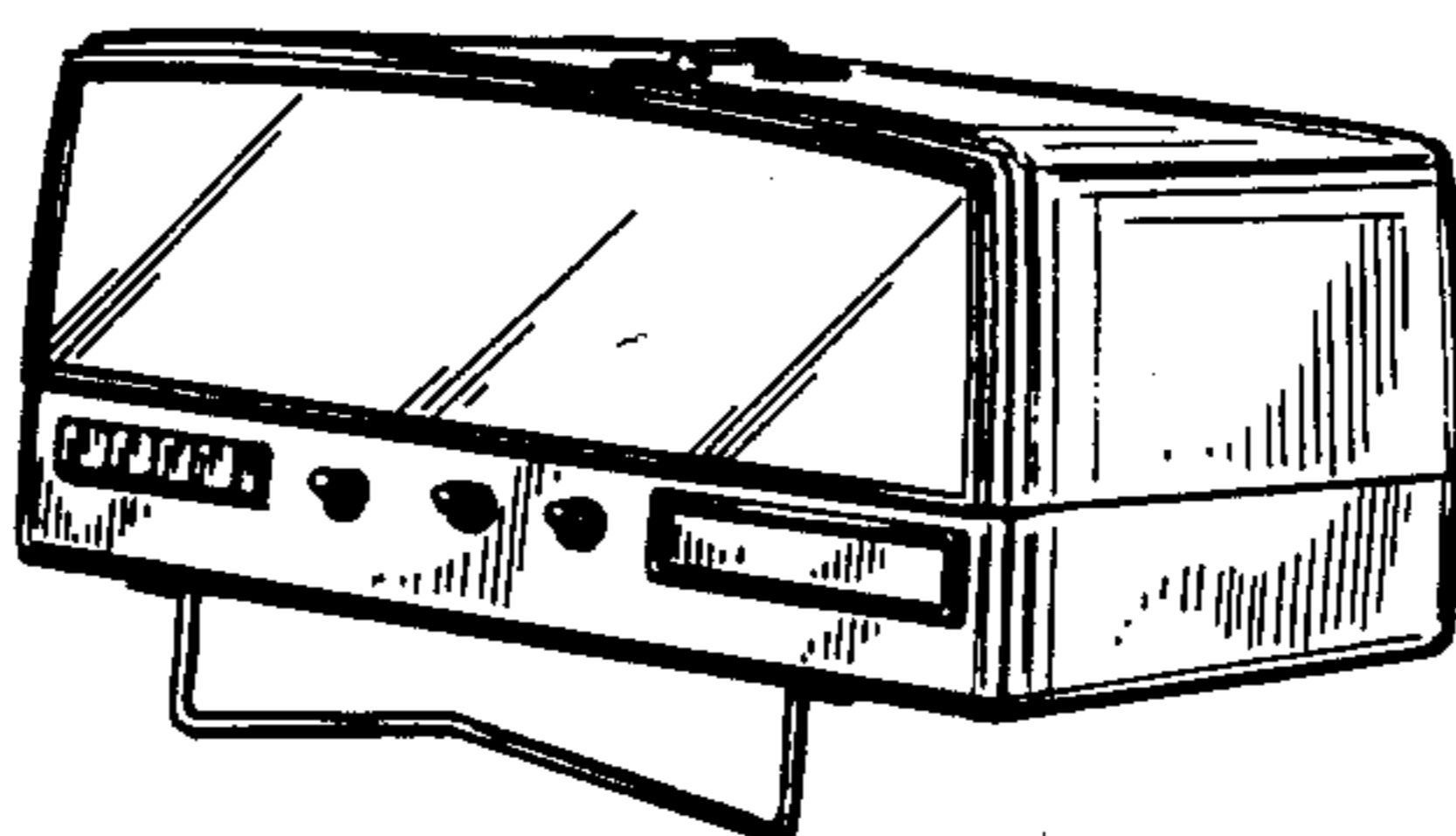


FIG. 13

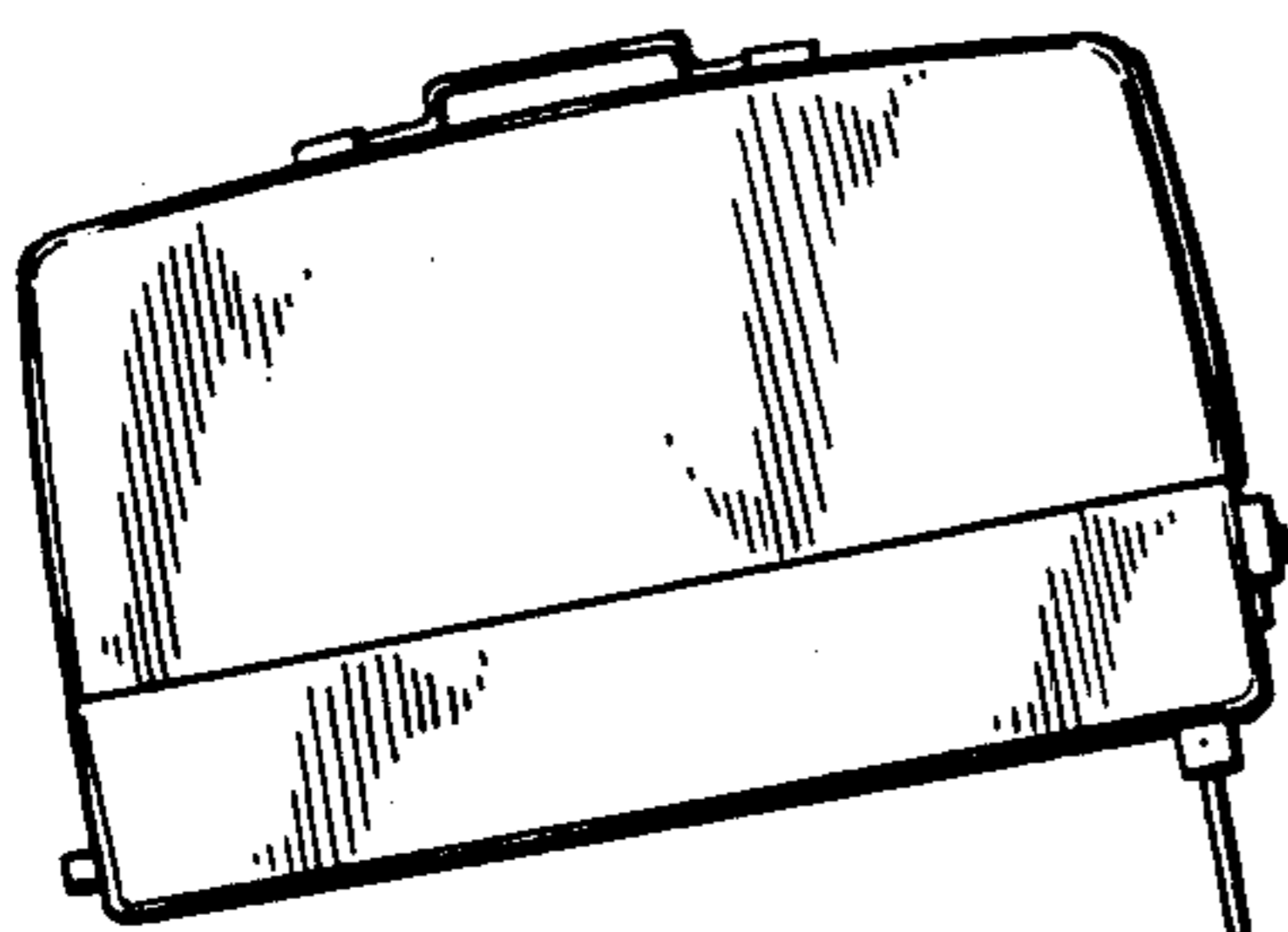


FIG. 12

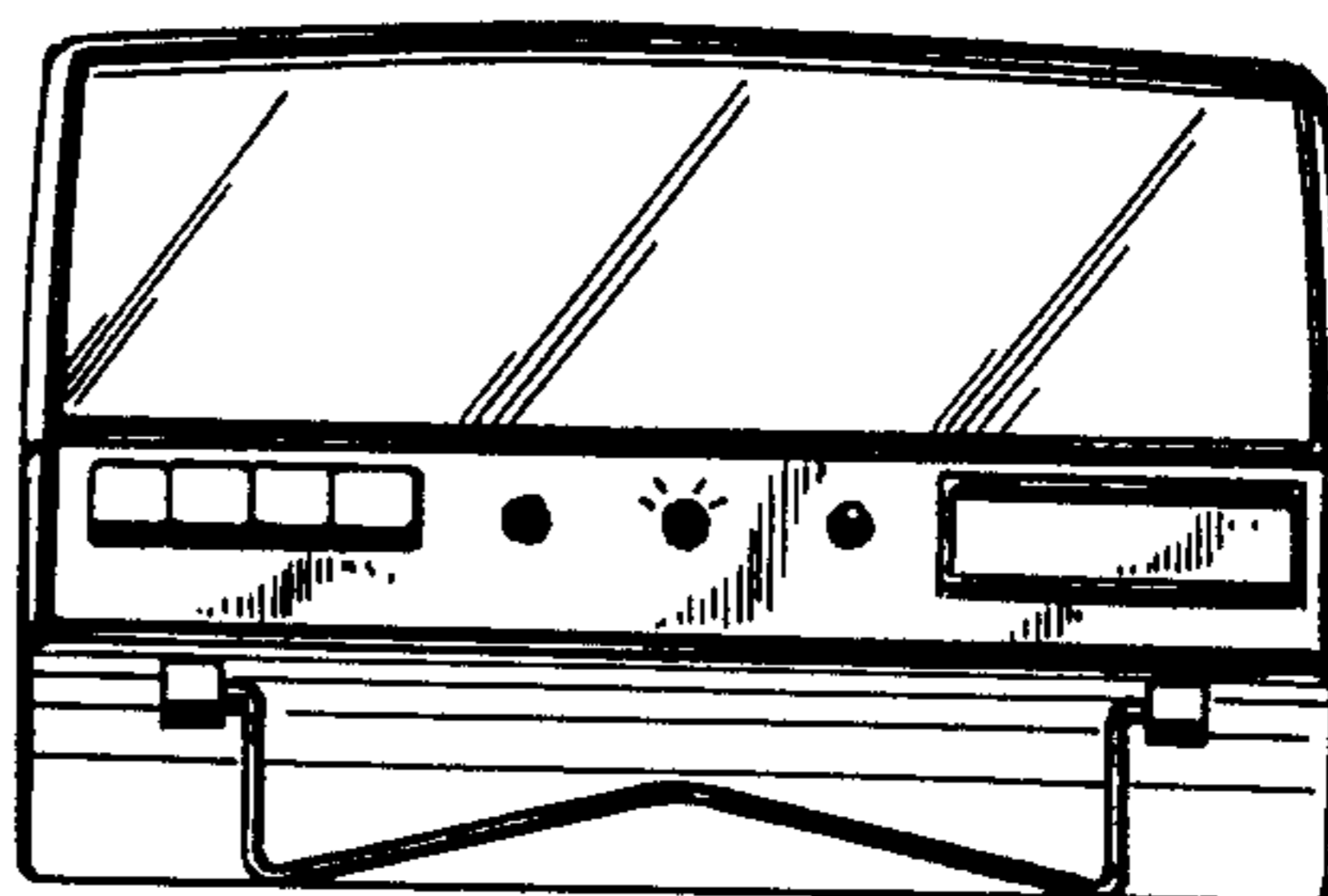


FIG. 14

