

United States Patent [19]

Sollazzi

[11] **Des. 246,590**

[45] **** Dec. 6, 1977**

[54] **COMBINED LUGGAGE HANDLE LOOP AND CONCEALED IDENTIFICATION TAG OR SIMILAR ARTICLE**

[75] Inventor: **Pasquale R. Sollazzi, Newark, Del.**

[73] Assignee: **M & M Luggage Co., Inc., Jersey City, N.J.**

[**] Term: **14 Years**

[21] Appl. No.: **678,056**

[22] Filed: **Apr. 19, 1976**

[51] Int. Cl. **D19-08**

[52] U.S. Cl. **D19/13**

[58] Field of Search **D87/1 R, 5 R, 3 A, 5 F, D87/5 C; D8/361; 150/52 R, 39, 40; 40/6, 2 R, 10 R, 10 B, 10 D, 21 R; D19/10, 13-19**

[56] **References Cited**

U.S. PATENT DOCUMENTS

D. 91,414 1/1934 Siegel et al. **D87/1 R**
1,603,861 10/1926 Mundis **150/52 R**

1,773,136 8/1930 Flint **40/21 R**

OTHER PUBLICATIONS

Halston Hartman Flyer, Rec'd 3/22/74, p. 8.

Primary Examiner—Joel Stearman

Assistant Examiner—George P. Word

Attorney, Agent, or Firm—Gloria K. Koenig

[57] **CLAIM**

The ornamental design for a combined luggage handle loop and concealed identification tag or similar article, substantially as shown and described.

DESCRIPTION

FIG. 1 is a top plan view of a combined luggage handle loop and concealed identification tag showing my new design.

FIG. 2 is a bottom plan view.

FIG. 3 is a left side elevational view.

FIG. 4 is a perspective view showing the identification tag in an open position.

FIG. 5 is a front elevational view.

FIG. 6 is a rear elevational view.

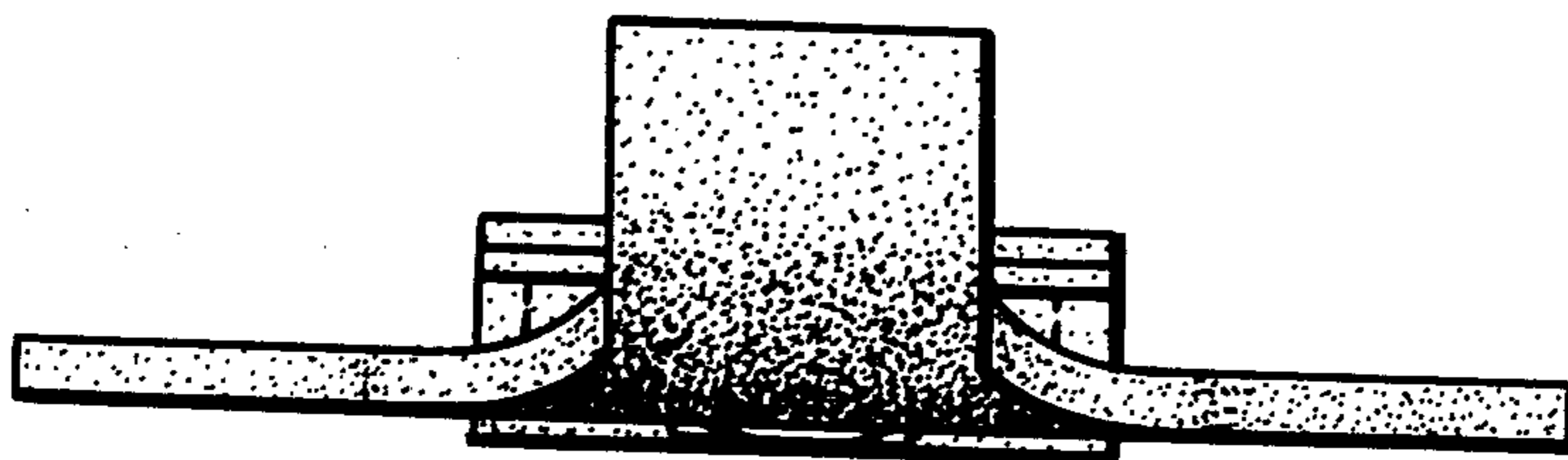


Fig. 1

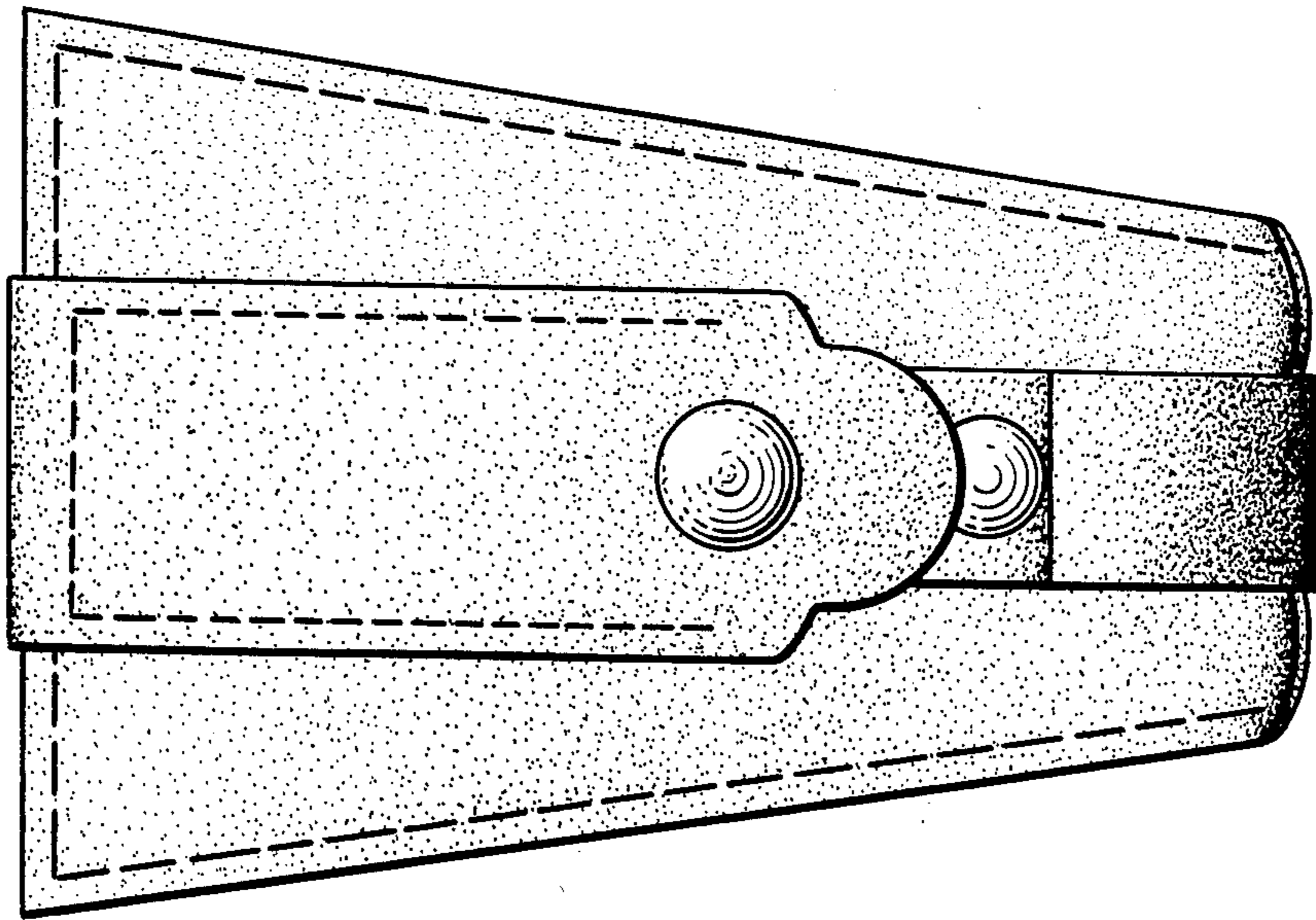


Fig. 2

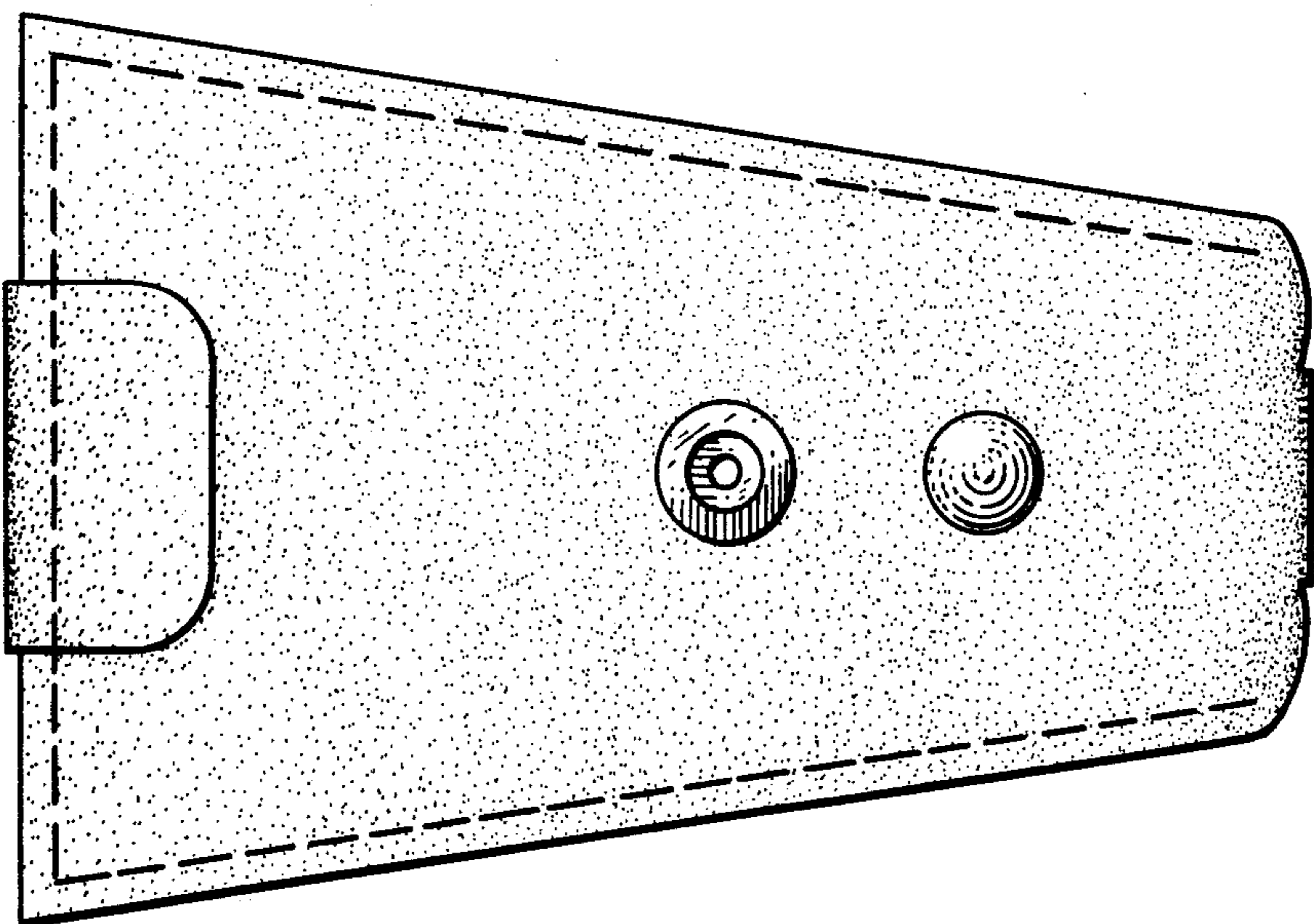


Fig. 3

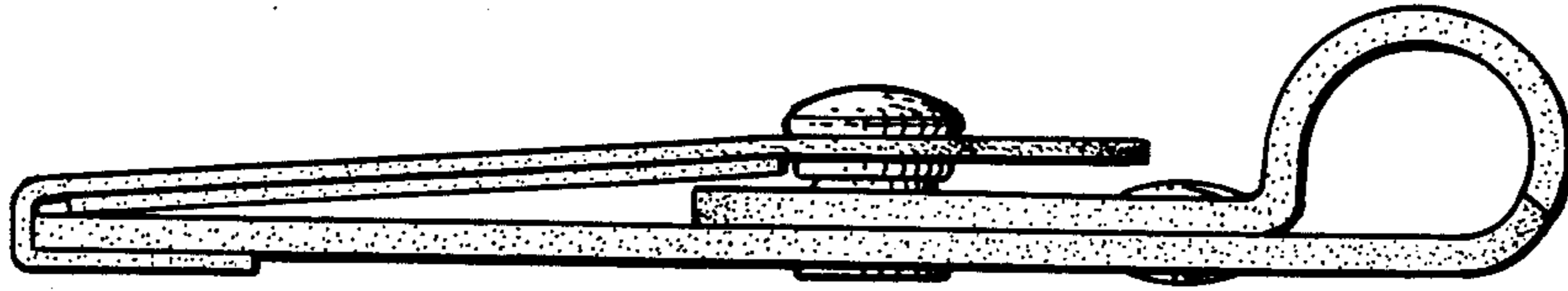


Fig. 4

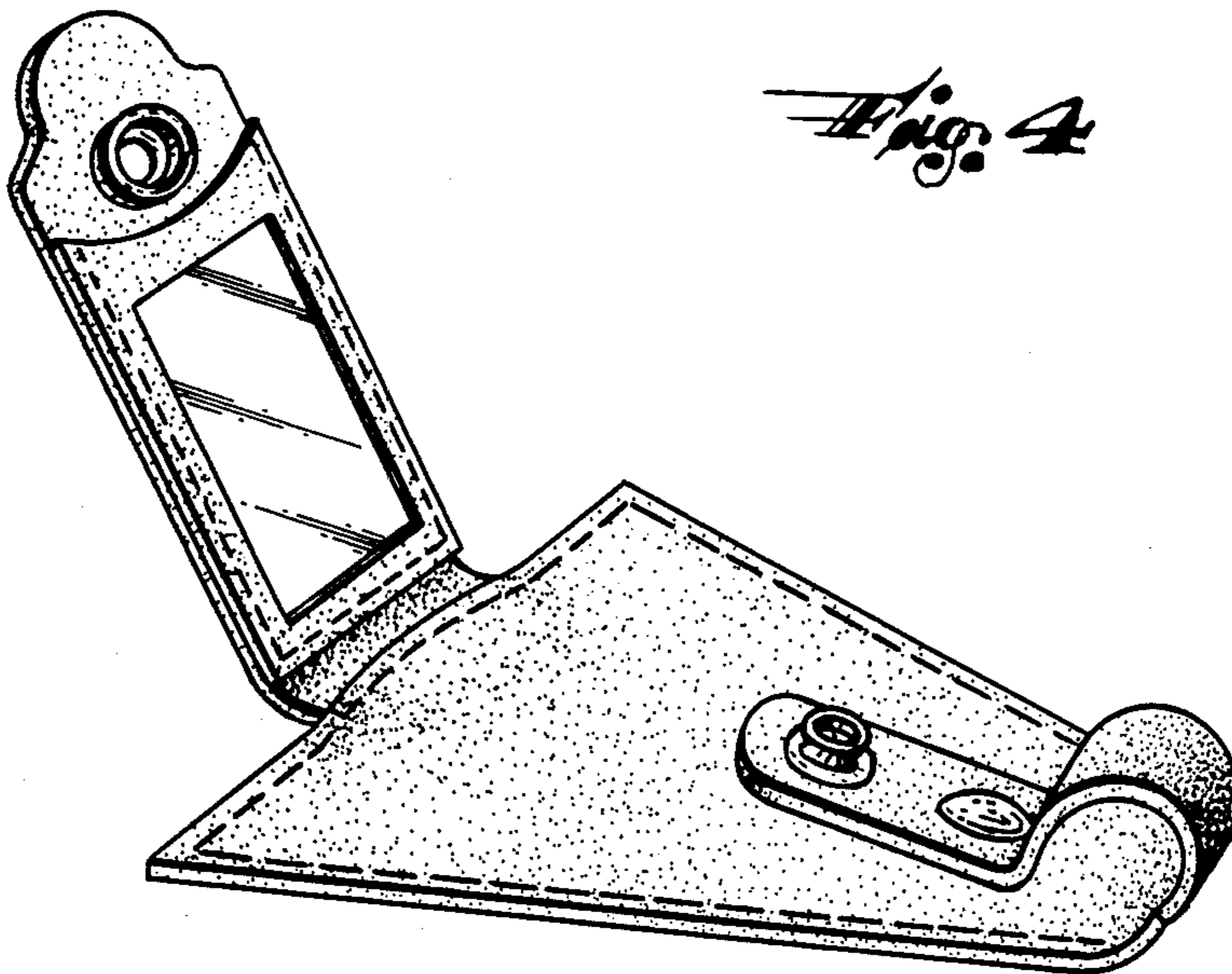


Fig. 5

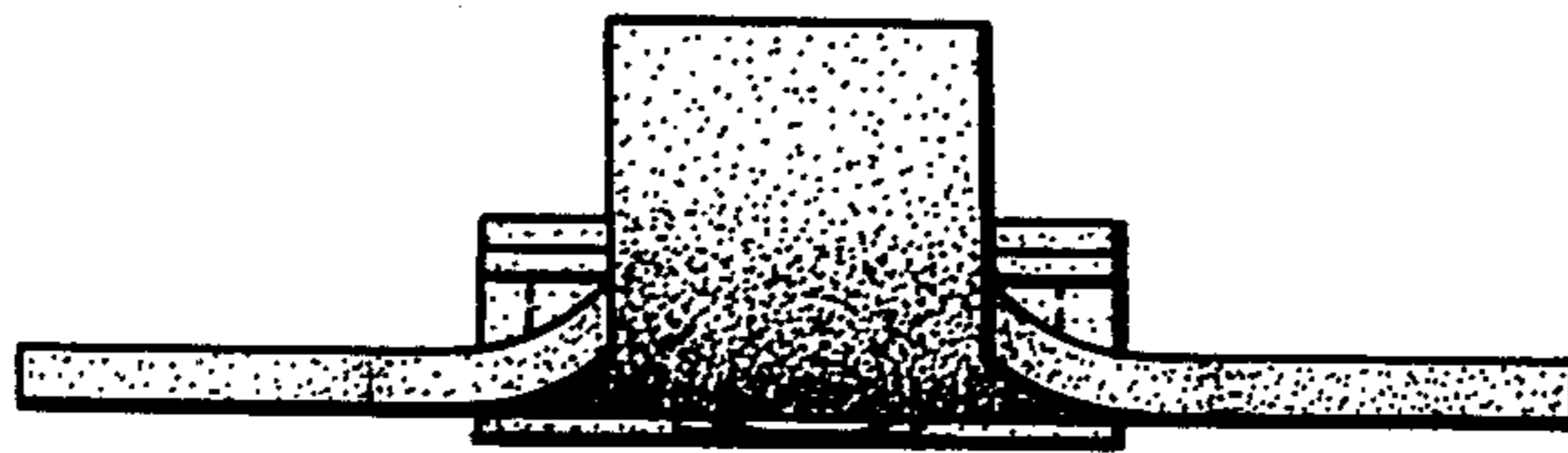


Fig. 6

