

[54] HEAD FOR A SURFACE-TREATING MACHINE

[75] Inventor: Samuel A. Miller, Livingston, N.J.

[73] Assignees: Ruth Max Newman; Lester S. Max

[\*\*] Term: 14 Years

[21] Appl. No.: 662,105

[22] Filed: Feb. 27, 1976

[51] Int. Cl. .... D15-99

[52] U.S. Cl. .... D15/56

[58] Field of Search ..... D15/56, 62, 63, 64; D7/178; 15/49 R, 50 R, 208, 209 R, 210 R, 230

[56] References Cited

U.S. PATENT DOCUMENTS

D. 194,093	11/1962	Mullinix et al. ....	D15/56
D. 229,502	12/1973	Thielen .....	D15/56
3,398,490	8/1968	Redifer .....	15/49 R X

3,550,179 12/1970 Brown et al. .... 15/230

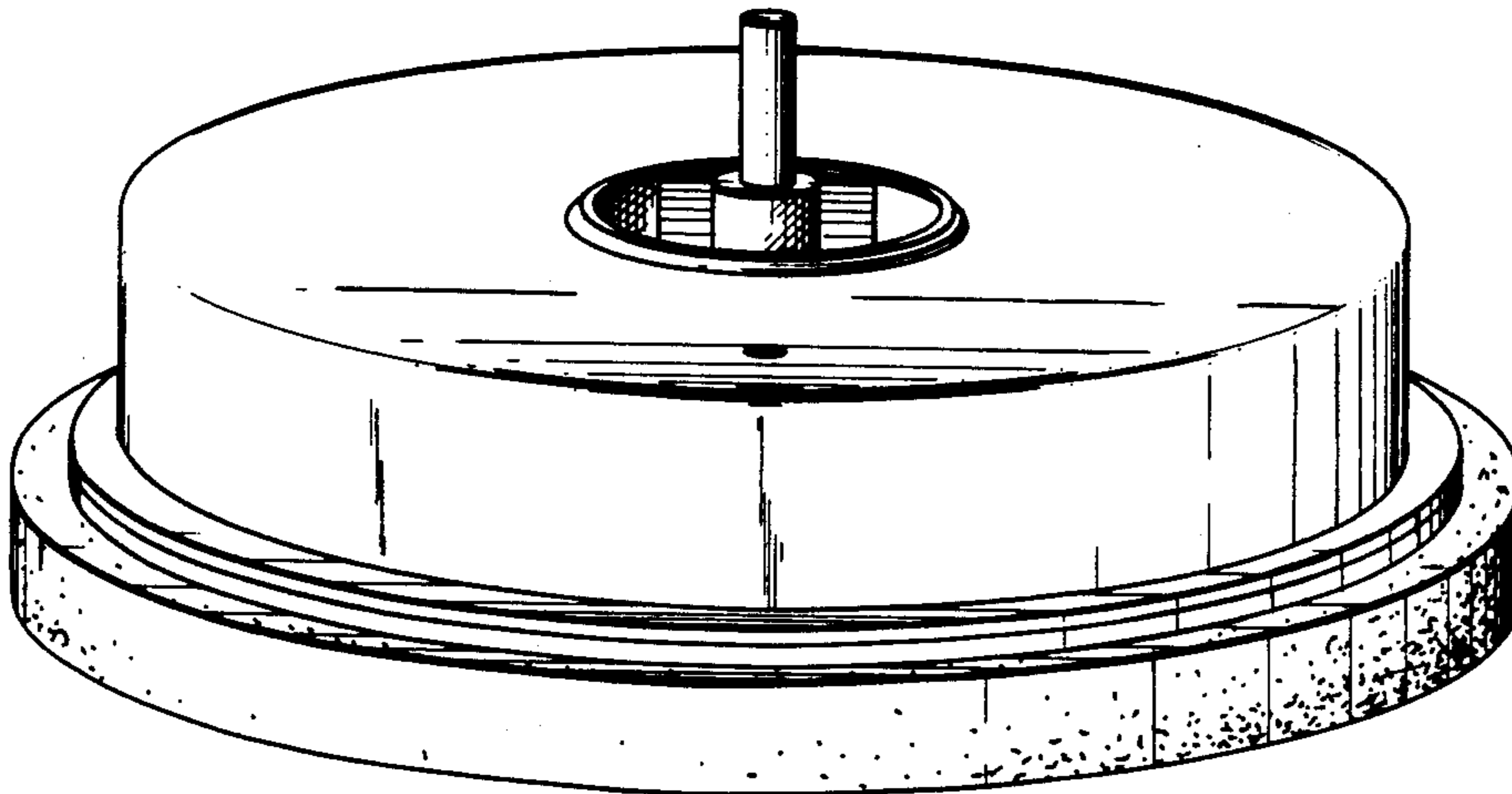
Primary Examiner—Wallace R. Burke  
Assistant Examiner—Catherine Kemper  
Attorney, Agent, or Firm—Lawrence I. Lerner

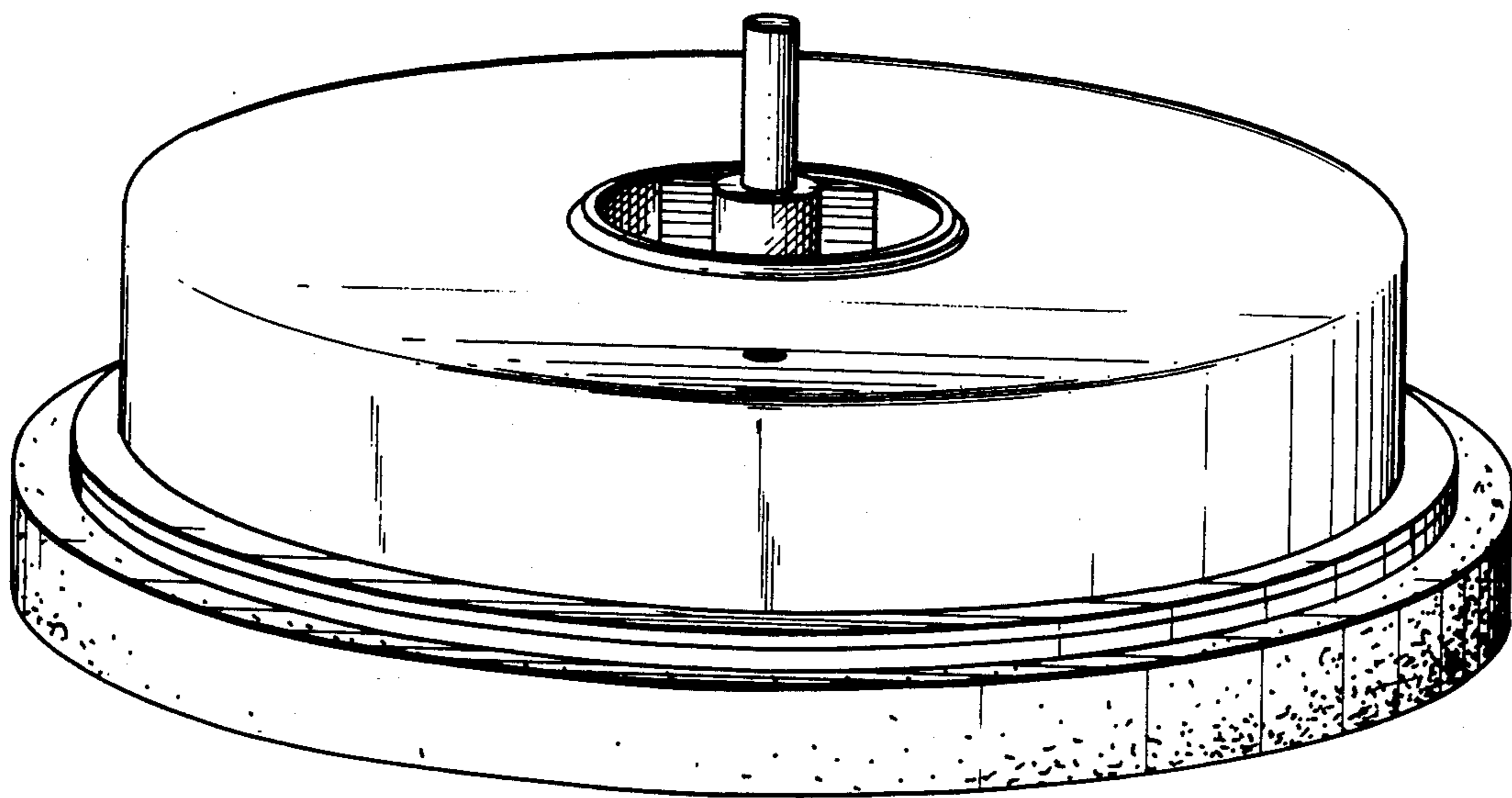
[57] CLAIM

The ornamental design for a head for a surface-treating machine, substantially as shown and described.

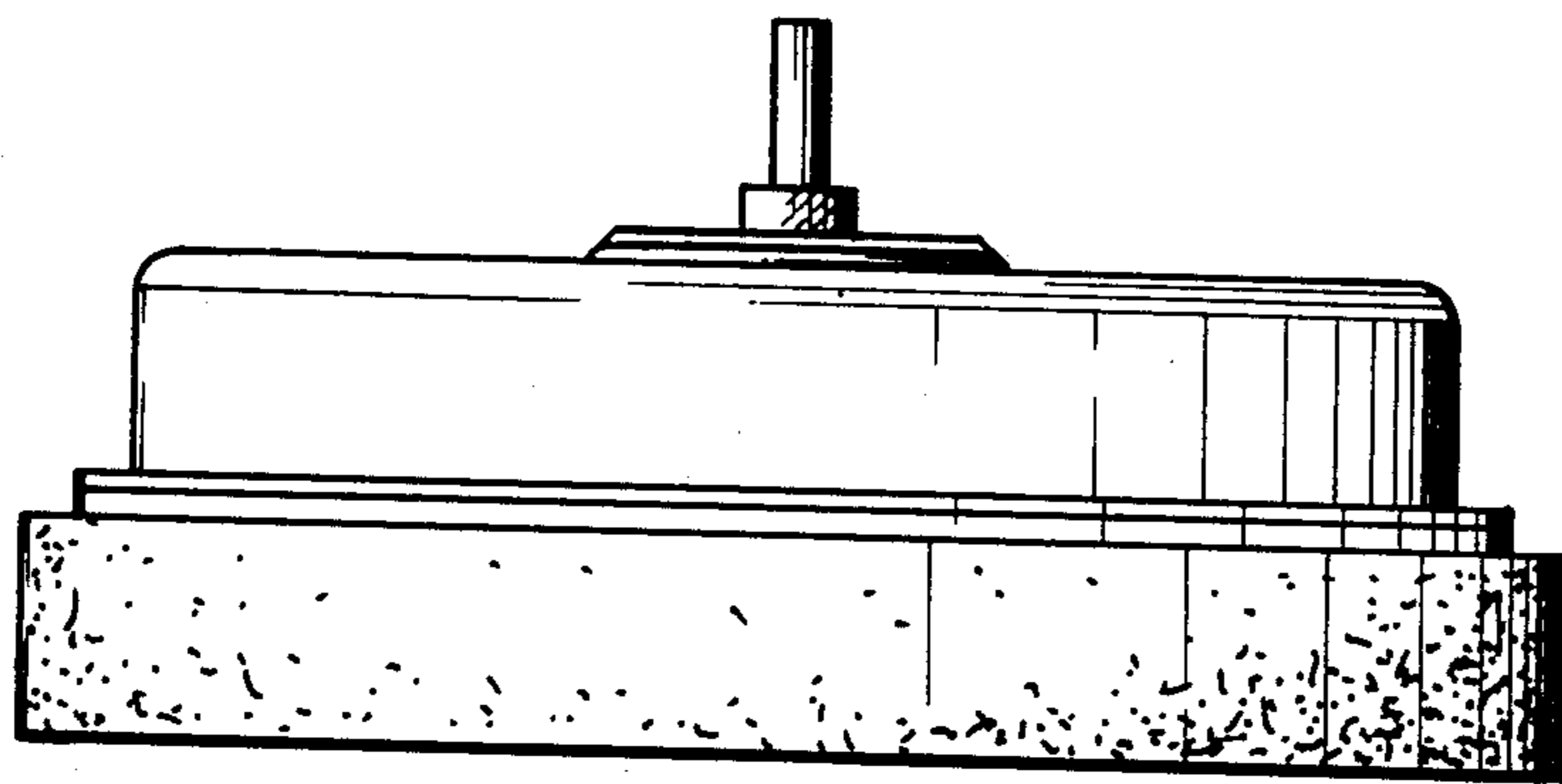
DESCRIPTION

FIG. 1 is a perspective view of a head for a surface-treating machine showing my new design;  
FIG. 2 is a front elevational view, the opposite side being the same in appearance as the side shown;  
FIG. 3 is a top plan view shown on a slightly smaller scale;  
FIG. 4 is a side elevational view shown on a slightly smaller scale, the opposite side being the same in appearance as the side shown; and  
FIG. 5 is a bottom plan view thereof.

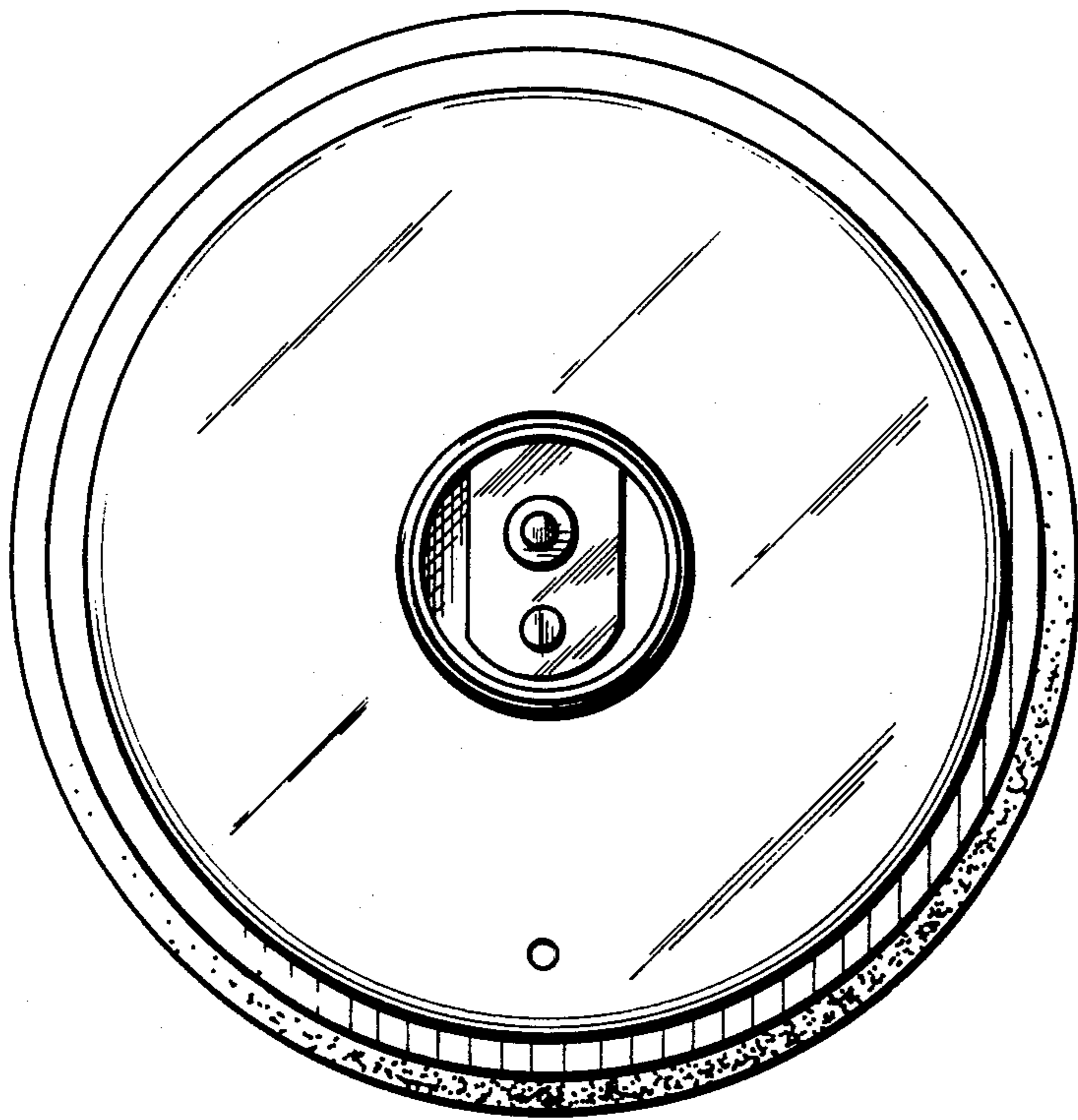




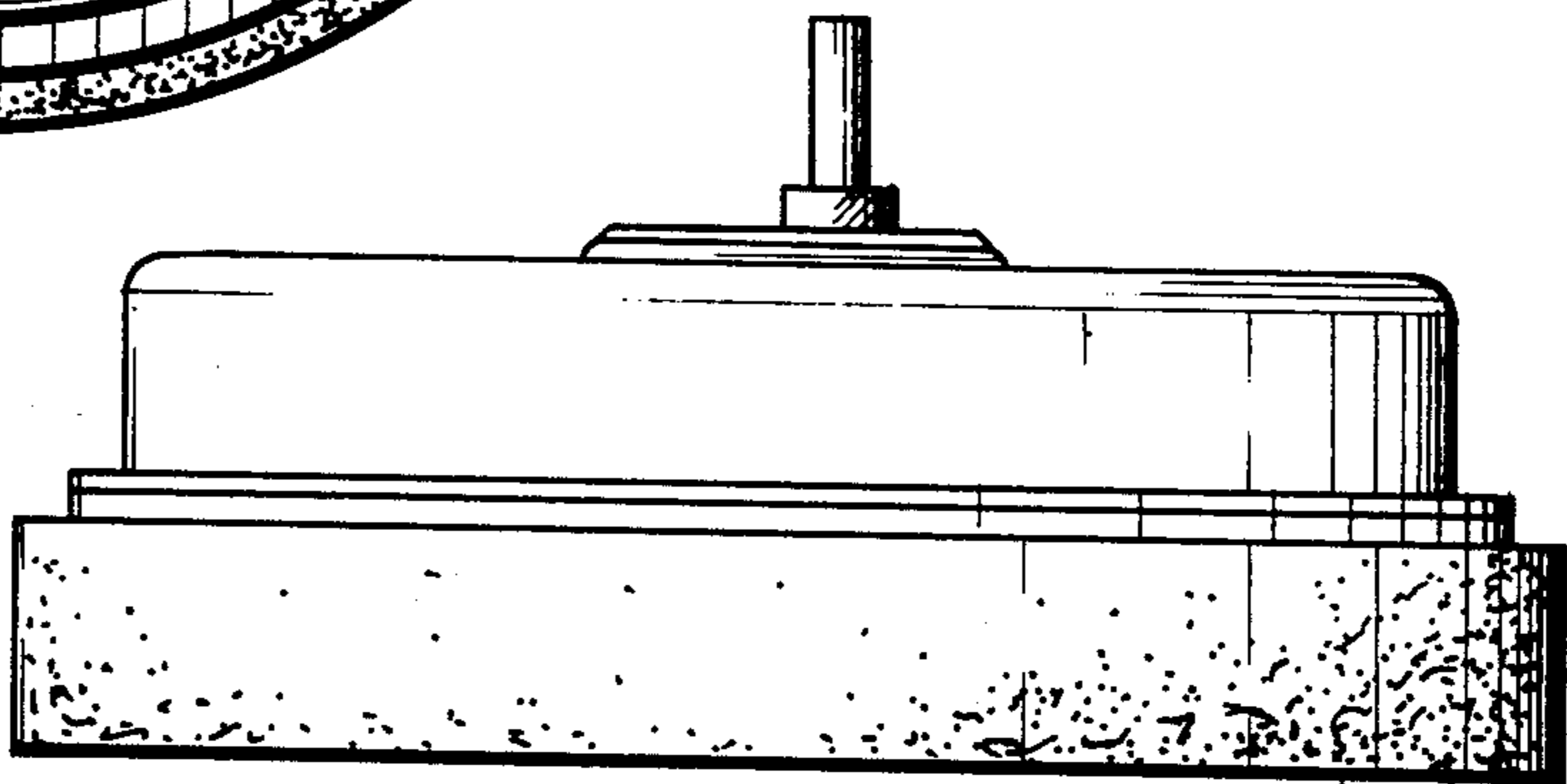
*FIG. 1*



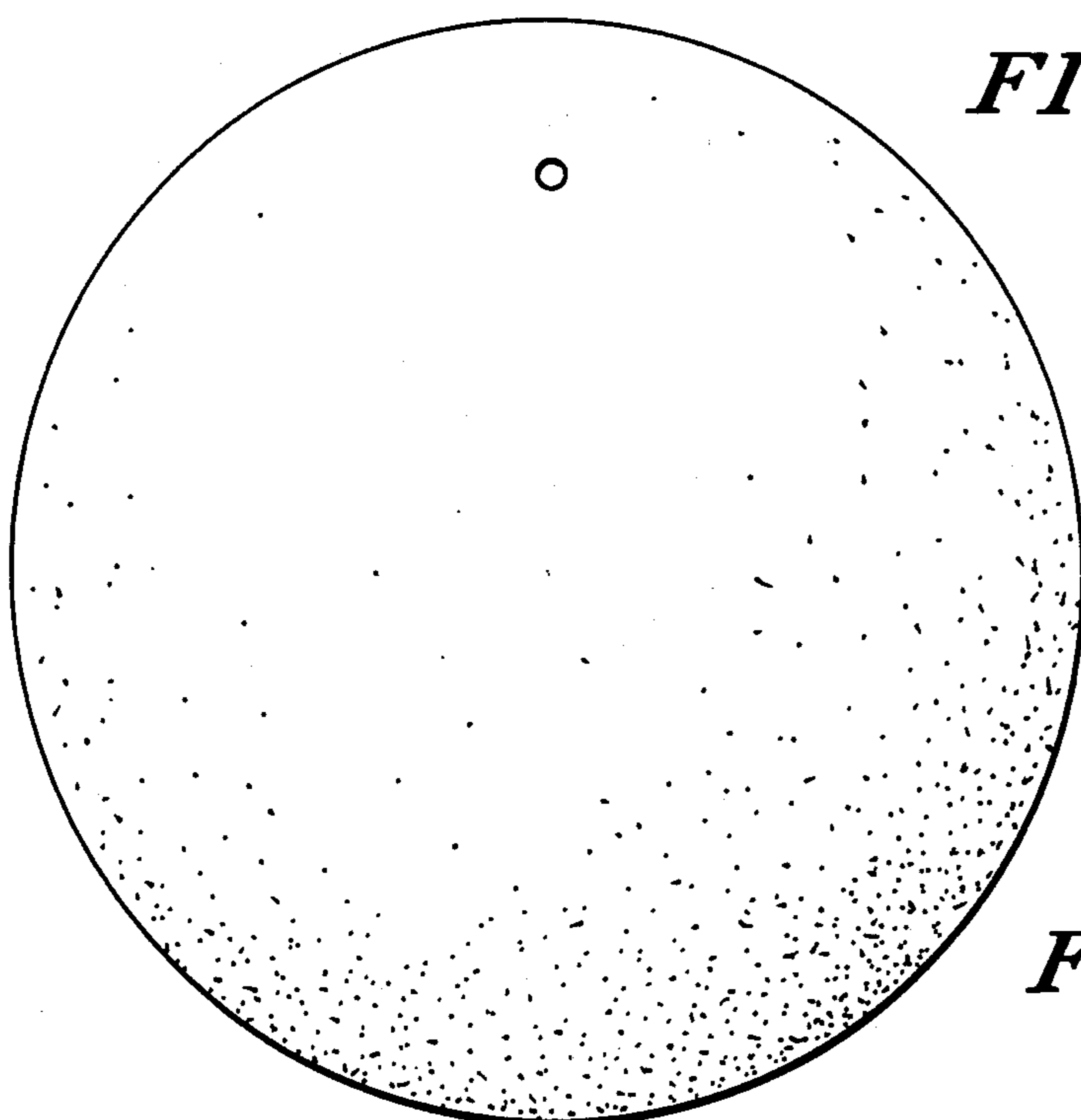
*FIG. 2*



*FIG. 3*



*FIG. 4*



*FIG. 5*